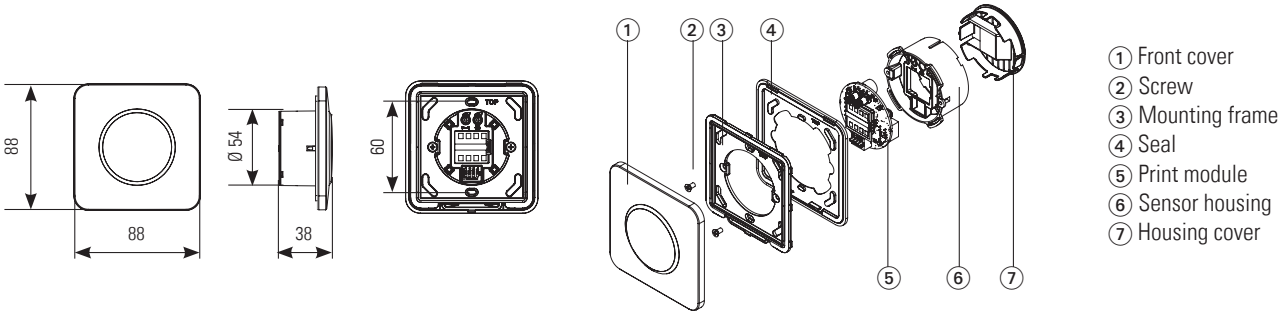


CleanSwitch Lock

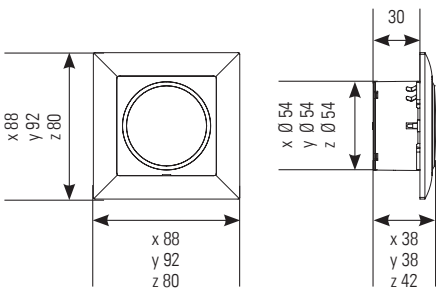
Contact-free switch with digital input
for standard and integration for Feller, Hager, Gira and Jung switch systems

Translation of the original instructions

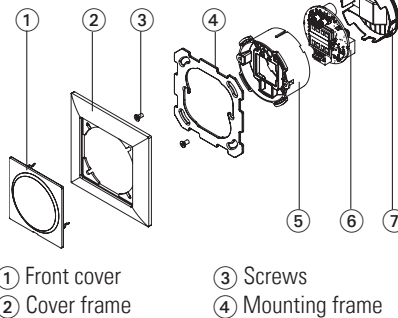
General



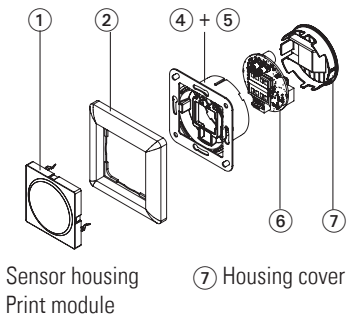
x = Feller, y = Hager, z = Gira / Jung



Feller / Hager



Gira / Jung



1 Safety instructions

The device may only be installed and commissioned by trained and qualified personnel.

The device may only be opened and repaired by the manufacturer.



The device may only be connected to a protection low-voltage system with safe electrical separation.

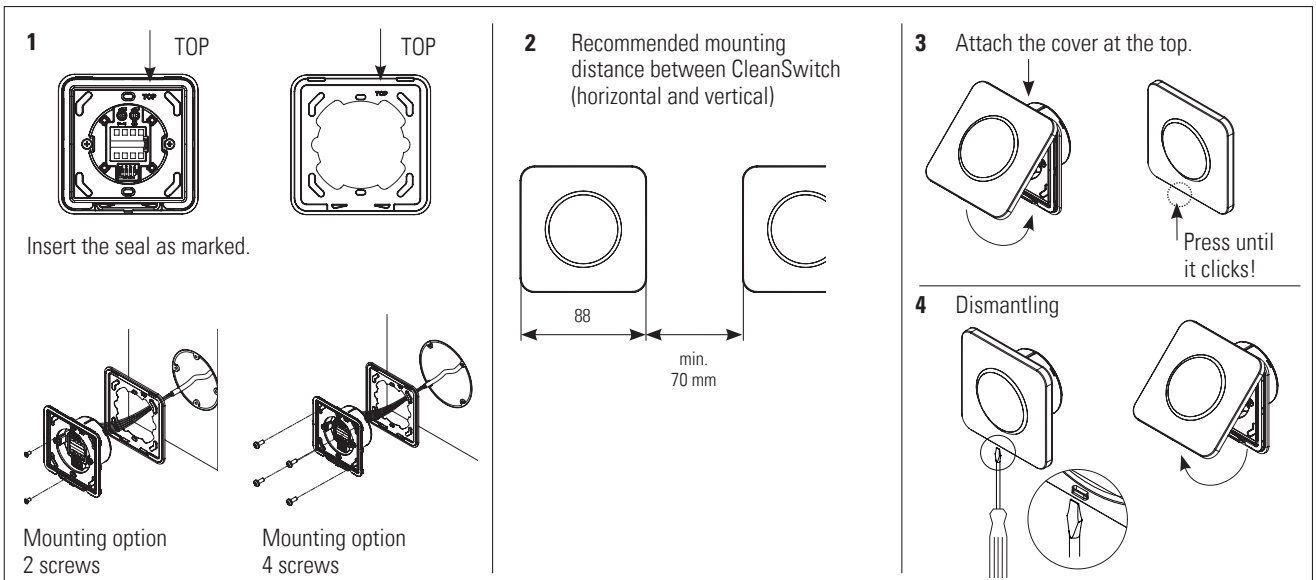
Always consider the safety functions of your application as a whole, never just in relation to one individual section of the system.

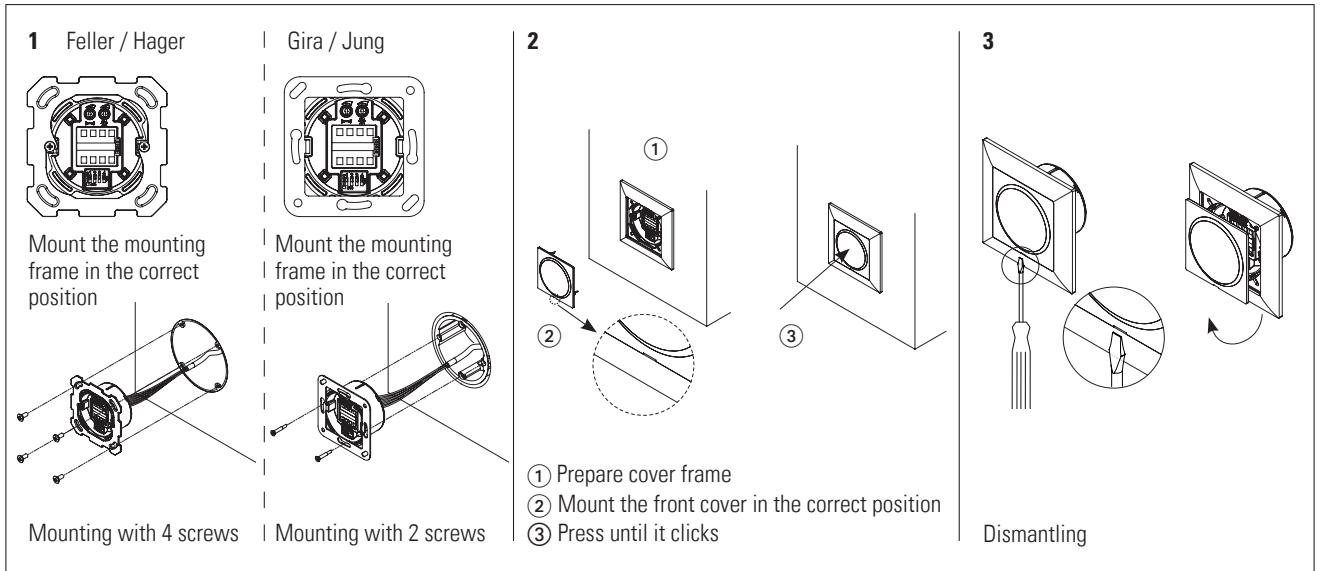
The installer is responsible for carrying out a risk assessment and installing the detector and the system correctly.

Avoid touching any electronic components.

2 Mounting

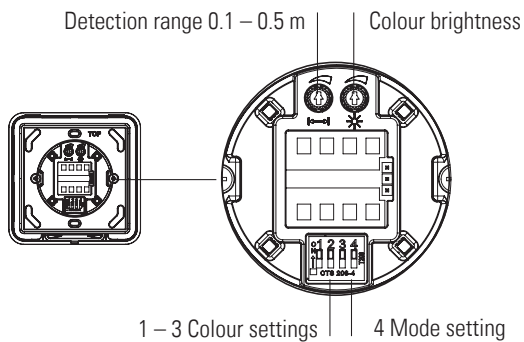
Standard example





3 Configuration

Factory settings



DIP switches

1-3 Optical feedback

ON	1	2	3	4	Green/red	ON	1	2	3	4	Red/Red
ON	1	2	3	4	Red/green	ON	1	2	3	4	Blue/Blue
ON	1	2	3	4	Blue/green	ON	1	2	3	4	–/Green
ON	1	2	3	4	Green/green	ON	1	2	3	4	–/Blue

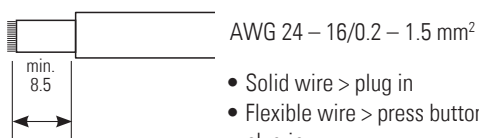
4 ON Toggle mode 4 OFF Pulse mode

ON	1	2	3	4	ON Toggle mode
ON	1	2	3	4	OFF Pulse mode

4 Electric connections and operating principles

Supply – (+)	1	White
Supply + (-)	2	Red
Relay COM	3	Green
Lock input – (+)	4	Grey
Relay NO	5	Blue

Stripping length min. 8.5 mm (solid wire or flexible wire)



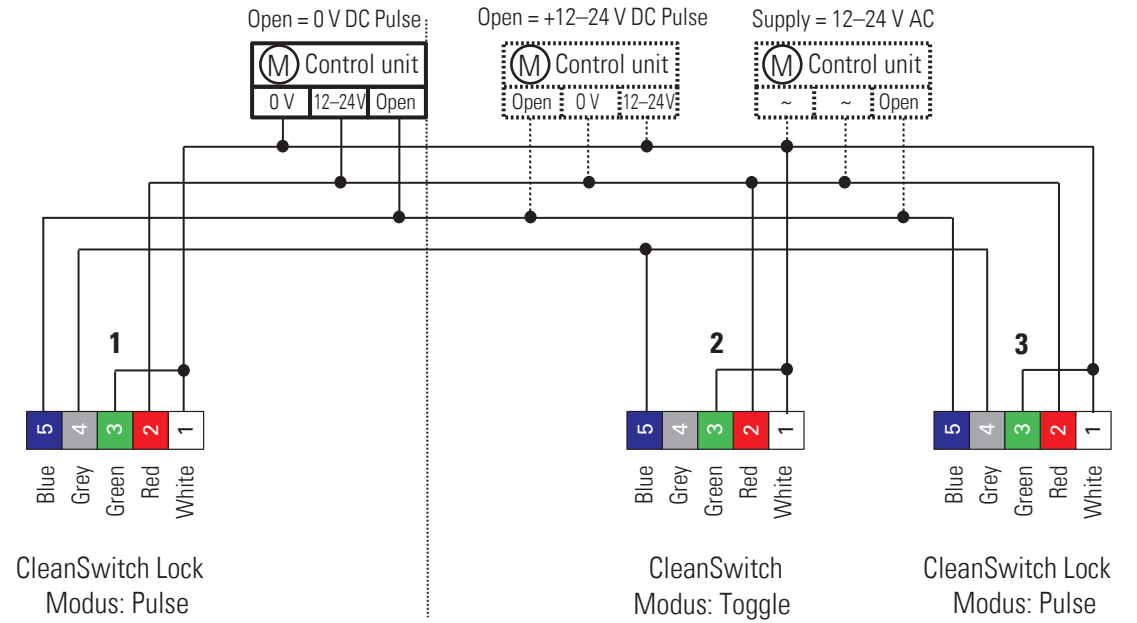
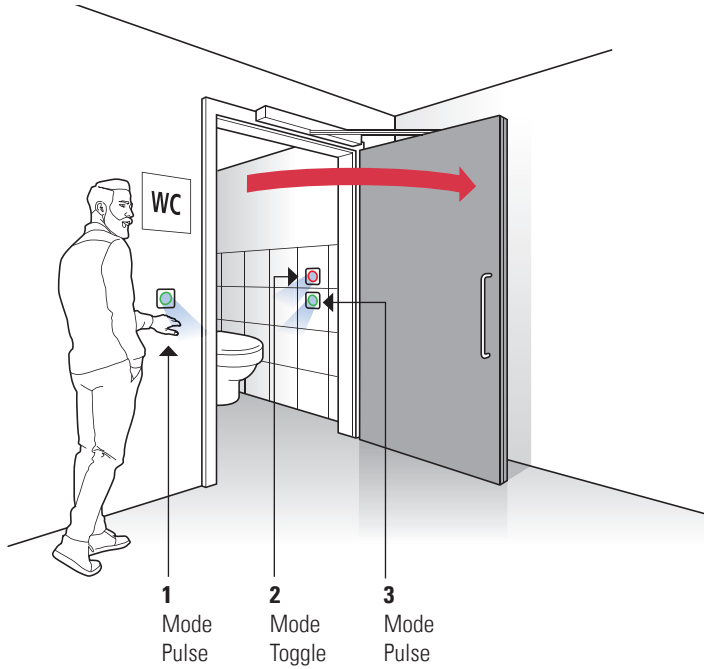
- AWG 24 – 16/0.2 – 1.5 mm²
- Solid wire > plug in
 - Flexible wire > press button and plug in

Lock input	Activation	Mode	Relay output	LED
OFF	–	Pulse/ Toggle	OFF	refer to chapter 3
OFF		Pulse	ON – Pulse (0.3 s)	refer to chapter 3
		Toggle	ON	
ON	–	Pulse	OFF	red*
		Toggle	if ON – switches OFF	
ON		Pulse/ Toggle	OFF	Flashing red 3 times*

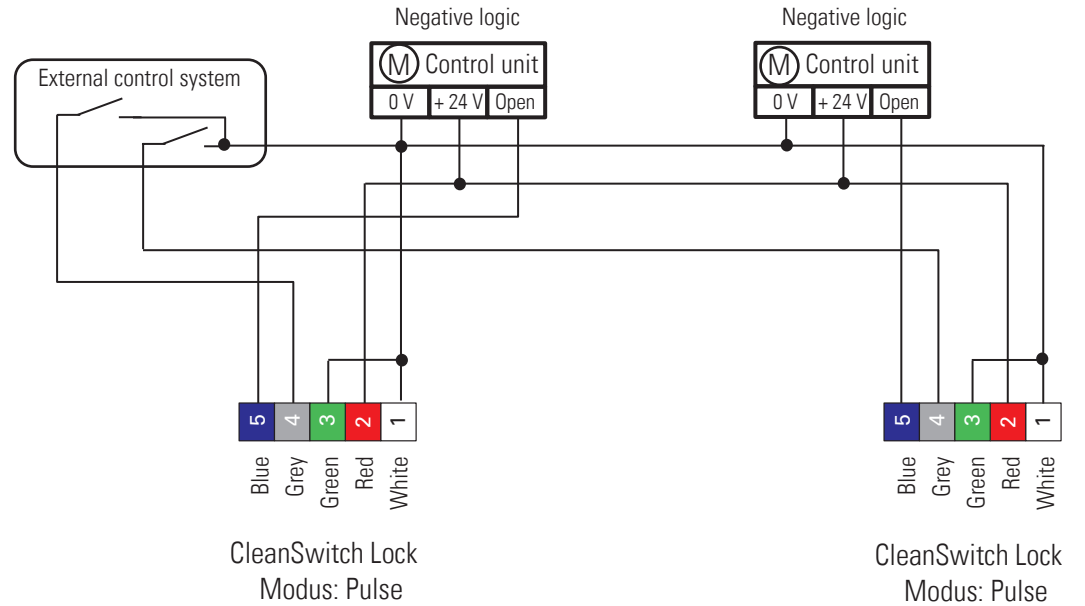
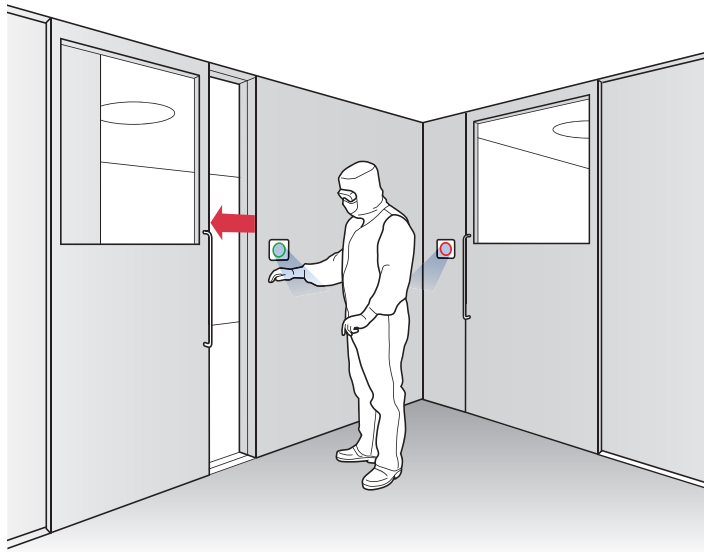
***Note:** When the lock input is active, the sensor lights or flashes red 3 times, independent of the setting of the DIP switches (chapter 3).

5 Installation example

WC



Clean room



6 Technical data

Technology	Microwave Doppler Radar	
Frequency	24.125 GHz	
Detection range	0.1 – 0.5 m	
Detection mode	Pulse mode: The sensor detects during hand movement Toggle mode: First movement on/second movement off	
Detection speed	Min: 5 Hz or ± 3 cm/s Max: 200 Hz or ± 1.2 m/s	
Supply voltage / Input	12-24 VAC $\pm 10\%$ (50-60 Hz) 12-24 VDC + 20%/- 10%	
Max. power consumption	< 1 W (with optical feedback)	
Output	Relay with NO contact (potential-free) Max. switching voltage/switching current (DC): 1 A up to 30 V, 0.5 A up to 60 V Max. switching voltage/switching current (AC): 1 A up to 50 V Max. switching capacity: 30 W (DC)/50 VA (AC)	
Output hold time	"Relay hold time": 0.3 s "LED hold time": 2 s	
Storage/operating temperature	- 20 to + 60°C	
Protection class	Standard	IP65 (fixed with 4 screws, smooth surface)
	Feller / Hager / Gira / Jung	IP20
Dimensions (mm)	Standard / Feller	88 x 88 x 38 mm (L x W x D)
	Hager	92 x 92 x 38 mm (L x W x D)
	Gira / Jung	80 x 80 x 42 mm (L x W x D)
Weight	55 g	
Materials	Standard / Feller	ASA / PC
	Hager / Gira / Jung	Duroplast / ASA / PC

Note: According to the VAH List, CleanSwitch is resistant to surface disinfectants in hospitals.

7 EU Declaration of Conformity



See attachment

8 WEEE



Devices with this symbol must be treated separately during disposal. This must be done in accordance with the laws of the respective countries for environmentally sound disposal, processing and recycling of electrical and electronic equipment.

9 FCC approval



This device meets the requirements of Part 15 of the FCC regulations and the RSS-210 standard of Industry Canada.

Warning: Changes or modifications made to this device may void the FCC authorisation to operate this device.

10 Contact

BBC Bircher Smart Access, BBC Bircher AG, Wiesengasse 20, CH-8222 Beringen, www.bircher.com

Made in China / Designed in Switzerland