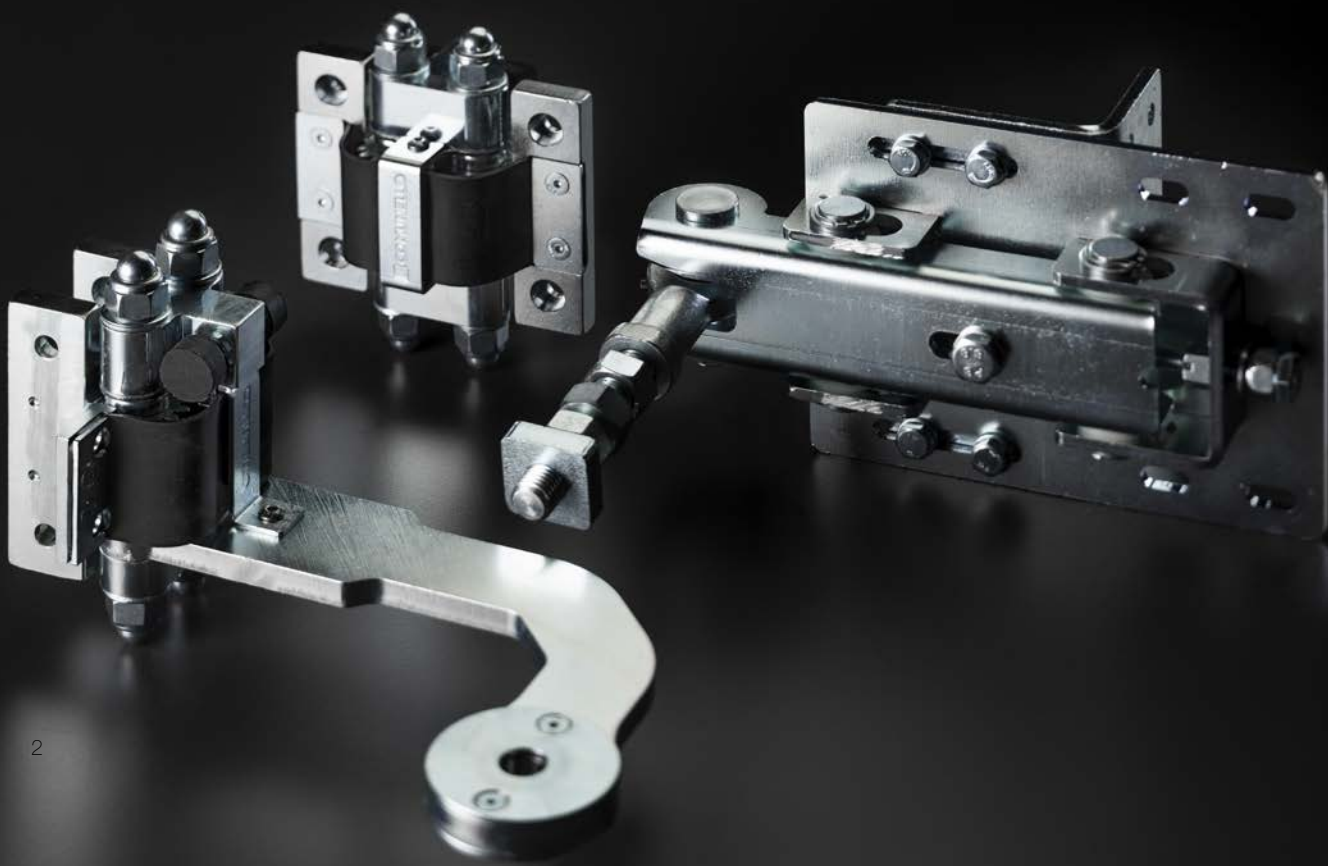


Albatros

Innovative bi-folding swing gate system

Albatros

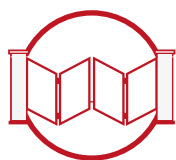
PATENT
PENDING





An innovative bi-folding swing gate system offering maximum opening in confined spaces.

 **COMUNELLO****GATE**



The Albatros bi-folding gate system

PATENT
PENDING



- Bi-folding wide opening swing gate system
- For double gates up to 16 metres wide
- Geared hinges for smooth opening
- Fold system occupies minimal space for opening and closing
- Trackless obstacle free entranceway



Connecting tube



ART.
ABS-10-P
ABS-10-G

Albatros Kit elemets



ART.
ABS-100-P
ABS-100-G

Strike plate



ART.
ABS-15-P
ABS-15-G
ABS-16-G

With its patented revolutionary geared hinge the Albatros system offers a stable smooth opening for the biggest of bi-folding systems. This high quality precise system remains totally suspended and therefore trackless, allowing a clean obstacle free entranceway and

occupying half the space of a single leaf swing gate. The Albatros bi-folding power transmission arm is mounted on the underside of the first gate leaf and is connected to the lower geared hinge ensuring a space effective wide opening system.



Upper hinge



ART.
85L
85PST
85

Bottom hinge



ART.
87
87PST
87L

Runaway stop

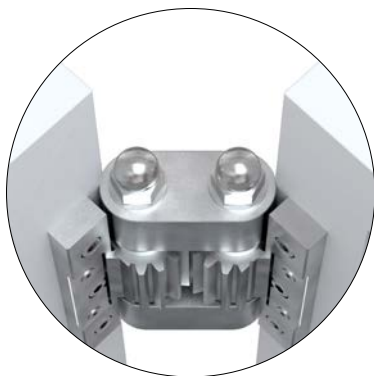


ART.
202
202F-C
239

The Albatros bi-folding gate system

Upper geared hinge

Pin with integrated gear mechanism



Anti-crushing rubber stop

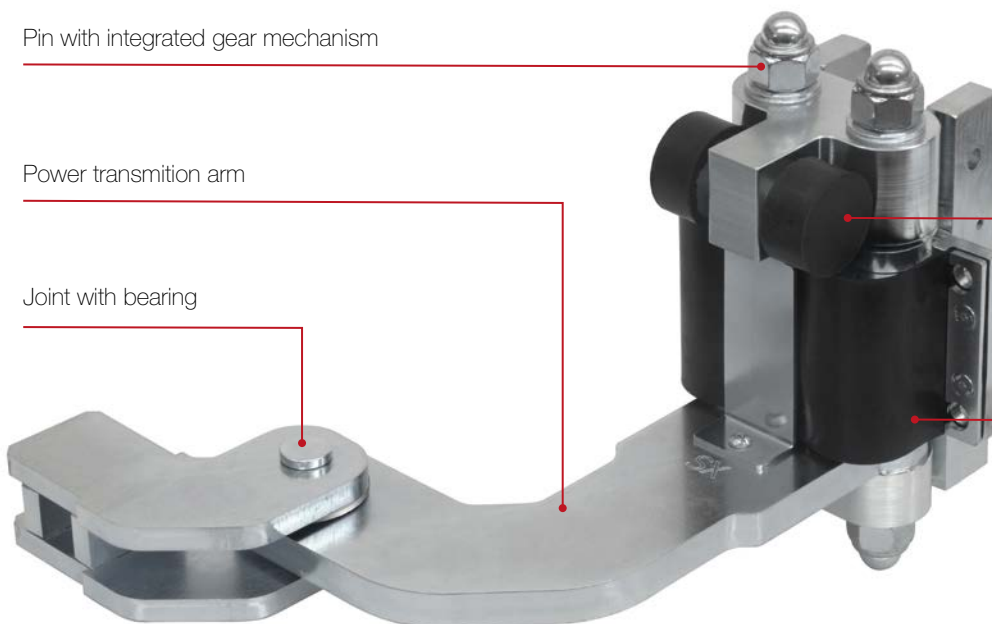
Elastic safety protection

Lower geared hinge with power transmission arm

Pin with integrated gear mechanism

Power transmission arm

Joint with bearing



Anti-crushing rubber stop

Elastic safety protection

FEATURES

- ABS-100 is an ambidextrous kit
- The hinges with integrated mechanical gear ensure precise and stable transmission over time
- The kit is made of high quality materials particularly resistant to wear
- The mechanism with bearings and spherical joints significantly reduces friction and makes movement fluid
- The alignment of the leaves and the movement of the gate are easily adjustable by intervening directly on the bracket fixed to the pillar

Adjustable bracket



Ball joint with grease nipple

Adjustment for door alignment when opening

Adjustment for door alignment when closing



Grease nipple



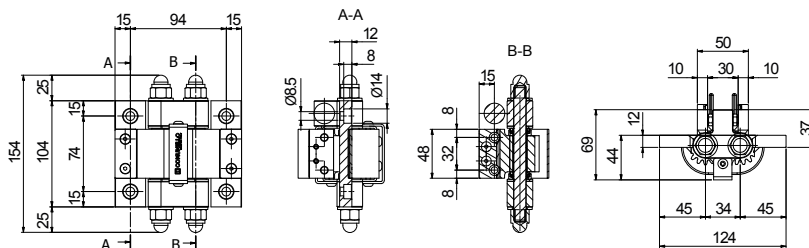
Life made easy

Kit elements

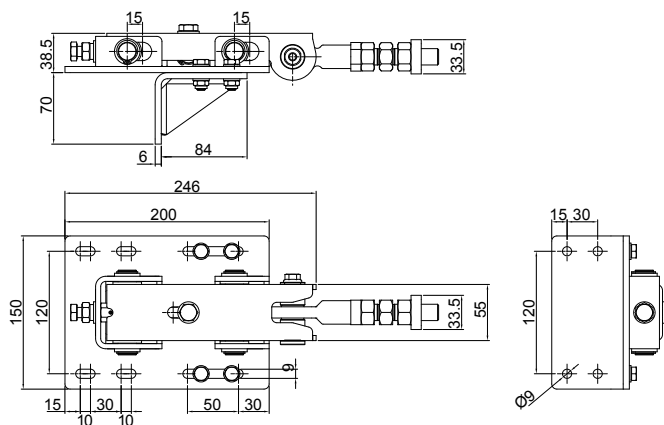
ABS-100-P

Ambidextre Albatros Kit including 2 hinges and movement system
 Kit Albatros ambidextre comprenant 2 paumelles et système de mouvement
 beidhändig Albatros Kit mit 2 Scharniere und Bewegungssystem
 Kit Albatros ambidestro consistente en 2 bisagras y sistema de manejo
 Двухсторонний комплект Albatros включающий 2 петли и система движения

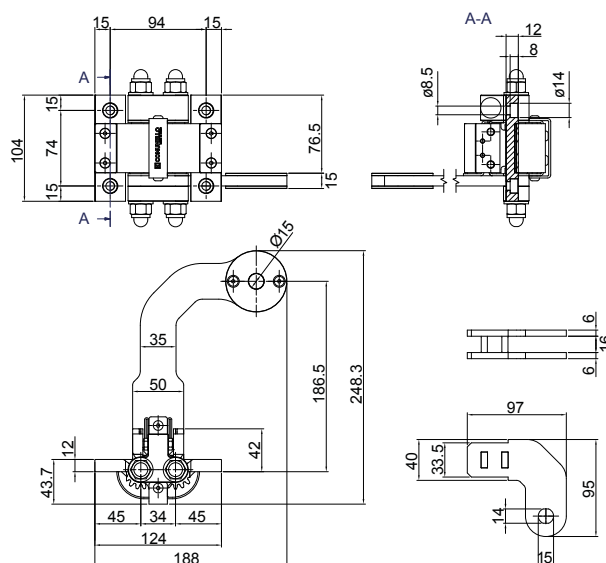
CODE	ART.	SIZE	Box info	
			Pcs per pack	Kg
11640910 001	ABS-100-P	DX-SX Piccolo	1	11



Upper geared hinge



Adjustable bracket

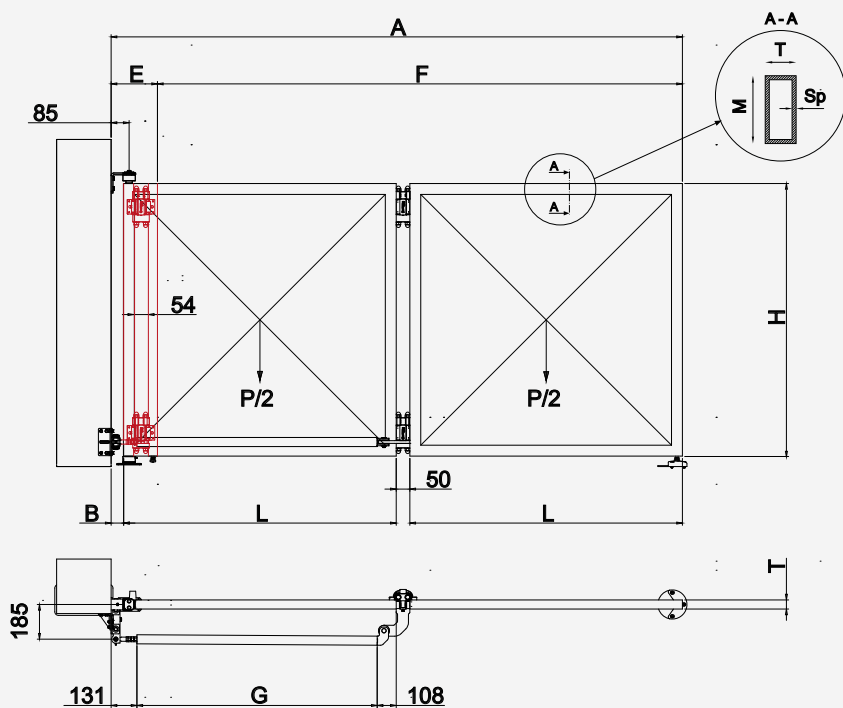
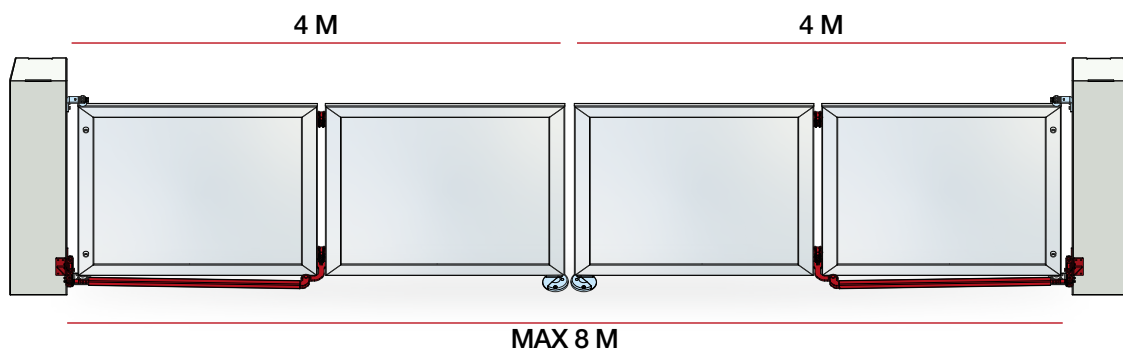


Lower geared hinge with power transmission arm



The bi-folding lever arm is fixed to the lower geared hinge.

ABS-100-P For leaves up to 4 m (quote A), A/H max = 3



GATE SYSTEM SIZING

$E = 2 \cdot T + B + 54$	OPEN GATE LEAF DIMENSIONS
$F = A - E$	NET OPENING SIZE WITH GATE OPEN
$G = L - 239 + B$	LEVER TUBE LENGTH
$L = (A - 50 - B) \div 2$	LEAF LENGTH
A	OPENING LENGTH
$B = 85 - (T/2)$	DISTANCE FROM THE LEAF TO COLUMN
T	LEAF TUBE SIZE

As indicated in the table, we recommend the use of tubulars of such dimensions as to make the structure sufficiently rigid and avoid bending of the doors during the opening and closing phases. It is also advisable to limit the weight of the gate as much as possible. The choice of the tubular may vary depending on the shape of the doors and of the materials used.

A [mm]	P/2 max [kg]	TUBULAR SIZE MxTxSP [mm] *
1500	100	80x50x3 75x50x3
2000	100	80x50x3 75x50x3
2500	100	80x50x3 75x50x3
3000	100	80x50x3 75x50x3
3500	100	100x50x3 150x50x3
4000	100	120x50x3 150x50x3

For weights (P) over 200 kg, contact COMUNELLO SERVICE DPT

* Material standard ISO 10799-2 and ISO 12633-2

Accessori Albatros

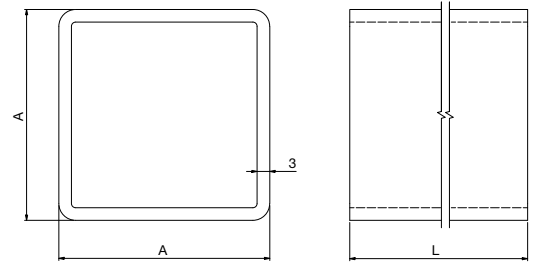
ABS-10

Hinge-pillar connection tubular
 Tubulaire de raccordement paumelle-pilier
 Scharnier-Pfeiler Verbindung Schlauchreifen
 Tubular de conexión bisagra-pilar
 Трубное соединение петля - столб



CODE	ART.	A (mm)	L (m)	Box info	
				Pcs per pack	Kg
11640913	ABS-10-P	40X40	3	1	10

Finishing: Galvanized



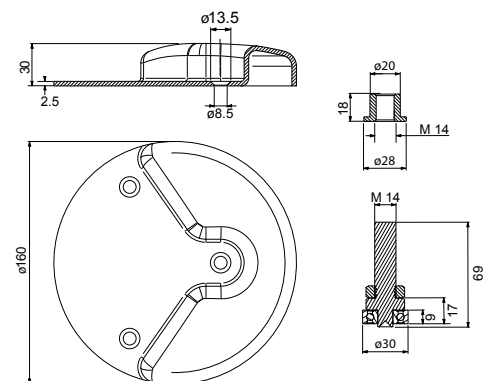
ABS-16

Kit molded floor strike plate
 Kit Butoir au sol moulé
 Formgepressten Bodenanschlag Kit
 Kit encuentro para suelo moldeado
 Комплект формованных напольных упоров



CODE	ART.	Size	Box info	
			Pcs per pack	Kg
11640905 001	ABS-16	D160 H=30	1	0,8

Finishing: Galvanized



ABS-20

Drilling template kit with rivets and fixing screws
 Kit gabarit de perçage avec rivets et vis de fixation
 Bohrschablone-Set mit Einsätzen und Befestigungsschrauben
 Kit de plantillas de perforación con remaches y tornillos de fijación
 Набор шаблонов для сверления со вставками и крепежными винтами



CODE	ART.	Size	Box info	
			Pcs per pack	Kg
11640920 001	ABS-20P	Piccolo	1	

Finishing: Galvanized

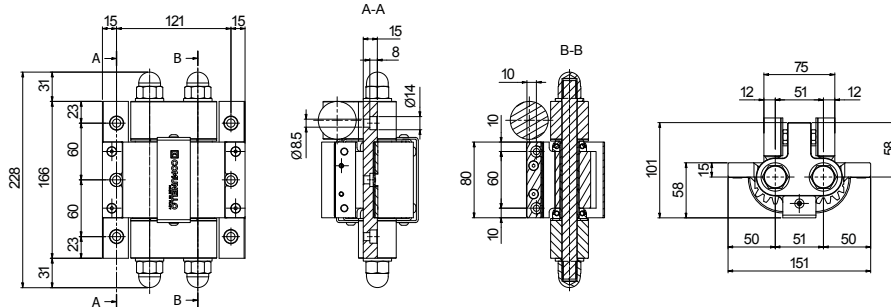
Life made easy

Kit elements

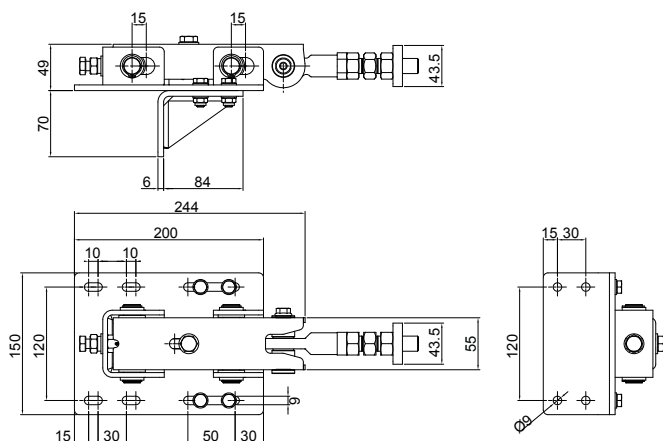
ABS-100-G

Ambidextre Albatros Kit including 2 hinges and movement system
 Kit Albatros ambidextre comprenant 2 paumelles et système de mouvement
 beidhändig Albatros Kit mit 2 Scharniere und Bewegungssystem
 Kit Albatros ambidestro consistente en 2 bisagras y sistema de manejo
 Двухсторонний комплект Albatros включающий 2 петли и система движения

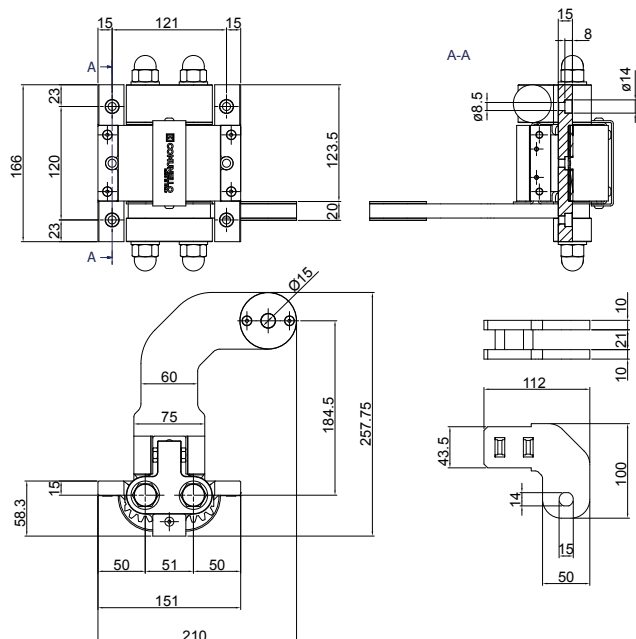
CODE	ART.	SIZE	Box info	
			Pcs per pack	Kg
11640900 001	ABS-100-G	DX-SX Grande	1	22



Upper geared hinge



Adjustable bracket



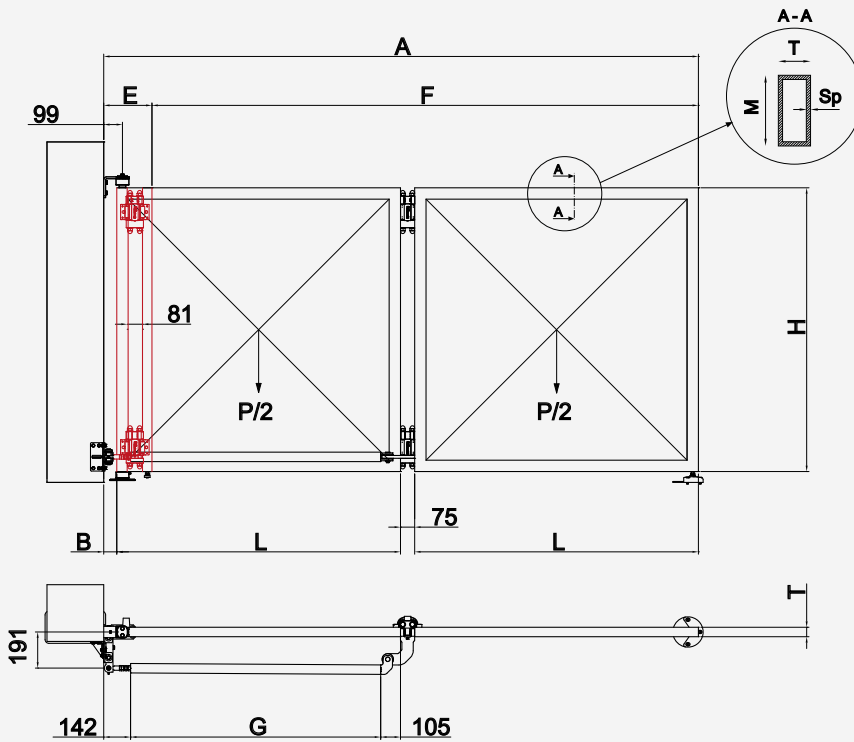
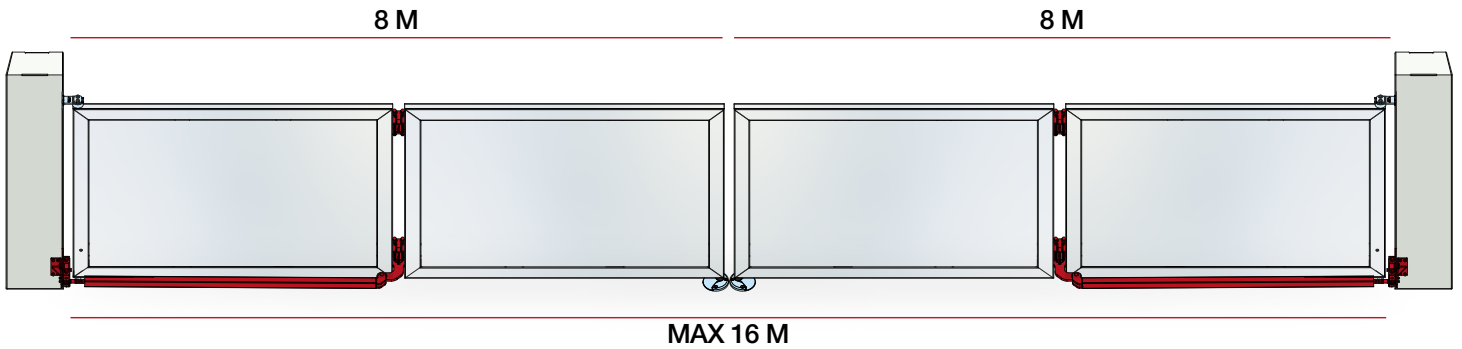
Lower geared hinge with power transmission arm



The bi-folding lever arm is fixed to the lower geared hinge.

Life made easy

ABS-100-G For leaves up to 8 m (quote A), A/H max = 3



GATE SYSTEM SIZING

$E = 2 \cdot T + B + 81$	OPEN GATE LEAF DIMENSIONS
$F = A - E$	NET OPENING SIZE WITH GATE OPEN
$G = L - 247 + B$	LEVER TUBE LENGTH
$L = (A - 75 - B) \div 2$	LEAF LENGTH
A	OPENING LENGTH
$B = 99 - (T/2)$	DISTANCE FROM THE LEAF TO COLUMN
T	LEAF TUBE SIZE

As indicated in the table, we recommend the use of tubulars of such dimensions as to make the structure sufficiently rigid and avoid bending of the doors during the opening and closing phases. It is also advisable to limit the weight of the gate as much as possible. The choice of the tubular may vary depending on the shape of the doors and of the materials used.

A [mm]	P/2 max [kg]	TUBULAR SIZE MxTxSP [mm] *
1500	150	80x60x3 65x65x3
2000	150	80x60x3 65x65x3
2500	150	80x60x3 75x50x3
3000	150	100x60x3 150x50x3
3500	150	140x60x3 150x50x3
4000	150	140x60x3 150x50x3

For lengths (A) over 4 m or weights (P) over 300 kg, contact COMUNELLO SERVICE DPT

* Material standard ISO 10799-2 and ISO 12633-2

Albatros accessories

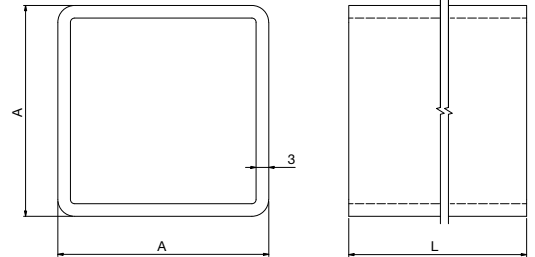
ABS-10

Hinge-pillar connection tubular
 Tubulaire de raccordement paumelle-pilier
 Schamier-Pfeiler Verbindung Schlauchreifen
 Tubular de conexión bisagra-pilar
 Трубное соединение петля - столб



CODE	ART.	A (mm)	L (m)	Box info	
				Pcs per pack	Kg
11640903	ABS-10-G	50X50	3	1	13

Finishing: Galvanized



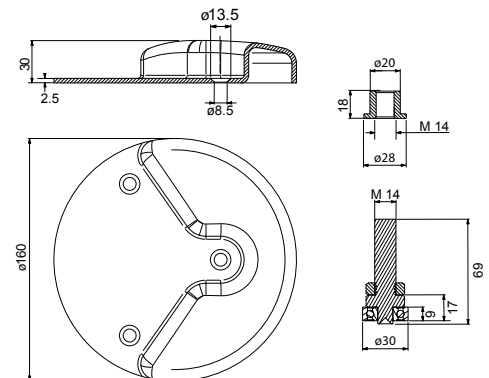
ABS-16

Kit molded floor strike plate
 Kit Butoir au sol moulé
 Formgepressten Bodenanschlag Kit
 Kit encuentro para suelo moldeado
 Комплект формованных напольных упоров



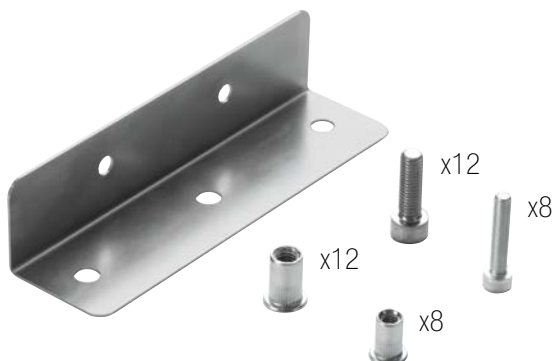
CODE	ART.	Size	Box info	
			Pcs per pack	Kg
11640905 001	ABS-16	D160 H=30	1	0,8

Finishing: Galvanized



ABS-20

Drilling template kit with rivets and fixing screws
 Kit gabarit de perçage avec rivets et vis de fixation
 Bohrschablone-Set mit Einsätzen
 und Befestigungsschrauben
 Kit de plantillas de perforación con
 remaches y tornillos de fijación
 Набор шаблонов для сверления со
 вставками и крепежными винтами



CODE	ART.	Size	Box info	
			Pcs per pack	Kg
11640921 001	ABS-20G	Grande	1	

Finishing: Galvanized

Compatible accessories

85L

Adjustable upper hinge with L plate
 Gond supérieur réglable avec platine à L
 Verstellbares oberes Torband mit L-Platte
 Bisagra superior regulable con placa en L
 Верхняя регулируемая петля с пластиной в форме L



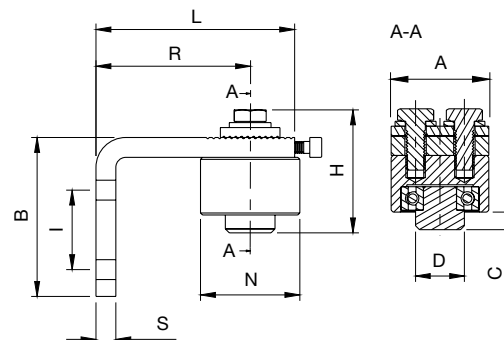
CODE	ART.	Size	A	B	C	D	H	I	L	N	R	S	Portata Capacity	Box info	
														Pcs per pack	Kg
10801607 001	85L-M	Medio Ø50	50	90	9	Ø25	62	45	100	Ø48	70-85	10	350 kg	2	2.4
10801610 001	85L-G	Grande Ø70	60	110	15	Ø35	72	55	130	Ø68	90-105	10	500 kg	2	4.1

Finishing: Galvanized

Weight bearing capacity refers to a pair of hinges mounted on a gate with weight uniformly distributed on a leaf with proportions L=H.

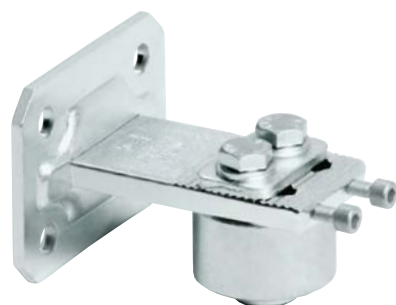


Equally distributed weight



85PST

Adjustable upper hinge with plate to be screwed
 Gond supérieur réglable avec platine à visser
 Verstellbares oberes Torband mit Platte zum Anschrauben
 Bisagra superior regulable con placa para fijar
 Верхняя регулируемая петля с прикрепляемой пластиной



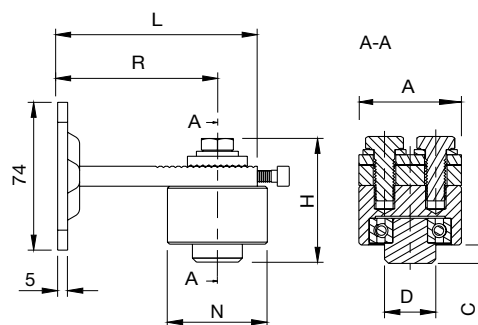
CODE	ART.	Size	A	C	D	H	L	N	R	Portata Capacity	Box info	
											Pcs per pack	Kg
10801407 001	85PST-M	Medio Ø50	50	9	Ø25	62	100	Ø48	70-85	350 kg	2	2.3
10801410 001	85PST-G	Grande Ø70	60	15	Ø35	72	130	Ø68	90-105	500 kg	2	3.2

Finishing: Galvanized

Weight bearing capacity refers to a pair of hinges mounted on a gate with weight uniformly distributed on a leaf with proportions L=H.



Equally distributed weight



85

Adjustable upper hinge with plate to be welded
 Gond supérieur réglable avec platine
 Verstellbares oberes Torband mit Platte
 Bisagra superior regulable con placa
 Верхняя регулируемая петля с пластиной



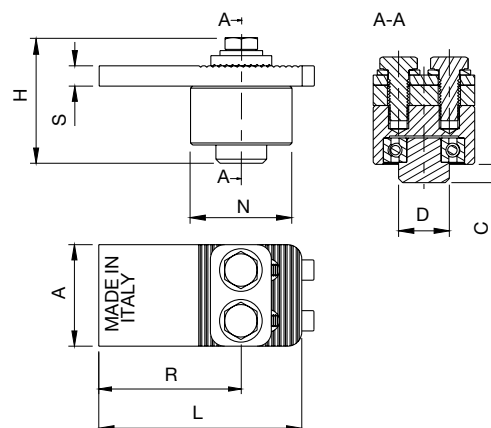
CODE	ART.	Size	A	C	D	H	L	N	R	S	Portata Capacity	Box info	
												Pcs per pack	Kg
10800407 001	85M	Medio Ø50	50	9	Ø25	62	100	Ø48	70-85	10	450 kg	4	3.4
10800410 001	85G	Grande Ø70	60	15	Ø35	72	130	Ø68	90-105	10	650 kg	2	3.2

Finishing: Galvanized

Weight bearing capacity refers to a pair of hinges mounted on a gate with weight uniformly distributed on a leaf with proportions L=H.



Equally distributed weight



87L

Bottom hinge with thrust bearing and L plate
 Gond inférieur avec roulement de butée et platine à L
 Unteres Torband mit Drucklager und L-Platte
 Bisagra inferior con rodamiento de empuje y placa en L
 Нижняя петля с упорным подшипником и пластиной в форме L



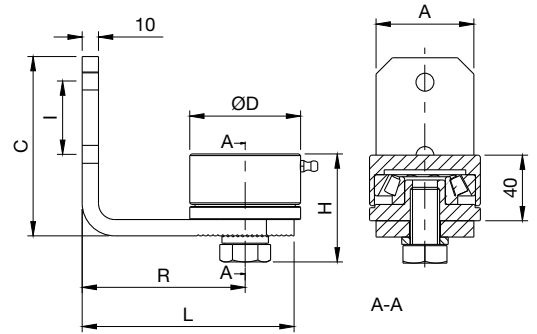
CODE	ART.	Size	A	C	D	H	I	L	R	Portata Capacity	Box info	
											Pcs per pack	Kg
10801307 001	87L-M	Medio Ø50	45	90	Ø 49	52	40	100	55-85	350 kg	4	4.0
10801310 001	87L-G	Grande Ø70	60	110	Ø 68	66	55	130	95-105	500 kg	2	4.2

Finishing: Galvanized

Weight bearing capacity refers to a pair of hinges mounted on a gate with weight uniformly distributed on a leaf with proportions L=H.



Equally distributed weight



87PST

Bottom hinge with thrust bearing and plate to be screwed
 Gond inférieur avec roulement de butée et platine à fixer
 Unteres Torband mit Drucklager und Platte zum Anschrauben
 Bisagra inferior con rodamiento de empuje y placa para fijar
 Нижняя петля с упорным подшипником и прикрепляемой пластиной



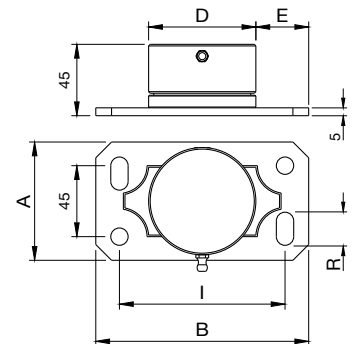
CODE	ART.	Size	A	B	D	E	I	R	Portata Capacity	Box info	
										Pcs per pack	Kg
10801207 001	87PST-M	Medio Ø 50	75	100	Ø 49	25	70	10	350 kg	2	1.2
10801210 001	87PST-G	Grande Ø 70	75	135	Ø 68	33.5	105	10	500 kg	2	2.5

Finishing: Galvanized

Weight bearing capacity refers to a pair of hinges mounted on a gate with weight uniformly distributed on a leaf with proportions L=H.



Equally distributed weight



87

Bottom hinge with thrust bearing
 Gond inférieur avec roulement de butée
 Unteres Torband mit Drucklager
 Bisagra inferior con rodamiento de empuje
 Нижняя петля с упорным подшипником



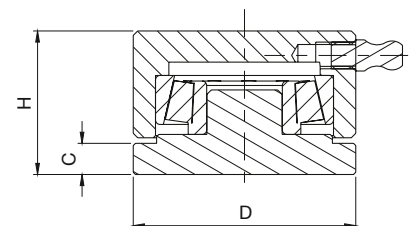
CODE	ART.	Size	C	D	H	Portata Capacity	Box info	
							Pcs per pack	Kg
10801010 001	87G	Grande Ø70	8	Ø68	40	650 kg	2	2.0

Finishing: Galvanized

Weight bearing capacity refers to a pair of hinges mounted on a gate with weight uniformly distributed on a leaf with proportions L=H.



Equally distributed weight



Compatible accessories

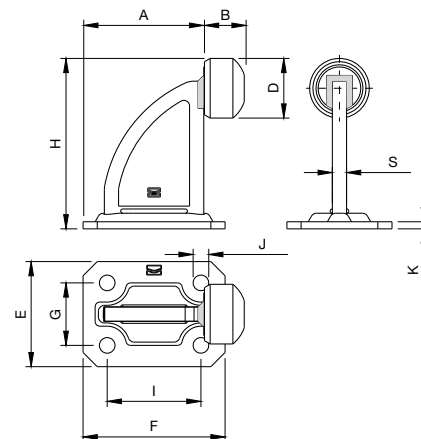
202

Runaway stop to be screwed
 Boutoir de fin de course avec base à visser
 Torendpuffer mit Befestigungsplatte zum Anschrauben
 Tope de final de carrera con base para fijar
 Стопор конца хода с прикрепляемым основанием



CODE	ART.	A	B	C	D	E	F	G	H	I	J	K	S	Box info	
														Pcs per pack	Kg
10701805 001	202-P	70	28	92,5	∅37	60	80	40	102	50	∅9	5	8	20	12
10701810 001	202-G	50	27	113,5	∅42	47	100	44	118,5	66	∅11	5	8	10	7.4

Finishing: Galvanized



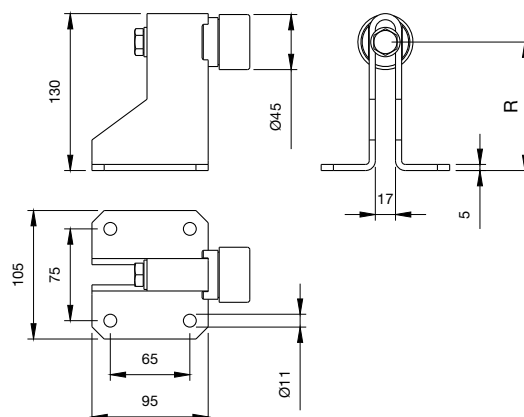
202F-C

Adjustable runaway stop to be screwed
 Boutoir de fin de course à visser réglable
 Verstellbarer Torendpuffer zum Anschrauben
 Tope de final de carrera regulable para fijar
 Прикрепляемый регулируемый стопор конца хода



CODE	ART.	R	Box info	
			Pcs per pack	Kg
10704401 001	202F-C	70-115	10	12.4

Finishing: Galvanized

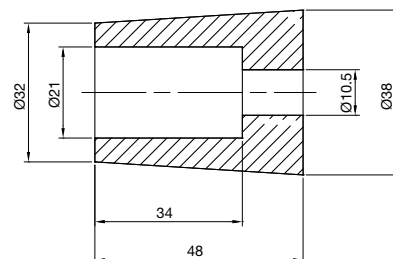


239

Door leaf stopper
 Embout d'amortissage vantaux
 Stossdämpfer für Türen
 Amortiguador hojas
 Амортизирующая пробка створки



CODE	ART.	Pcs per pack	Box info	
			Pcs per pack	Kg
10700405	239	10	0,60	





Gate innovation made in Comunello

 **COMUNELLO GATE**

FRATELLI COMUNELLO S.P.A.

Via Cassola, 64 - C.P. 79

36027 Rosà, Vicenza, Italy

Tel. +39 0424 585111 Fax +39 0424 533417

info@comunello.it www.comunello.com