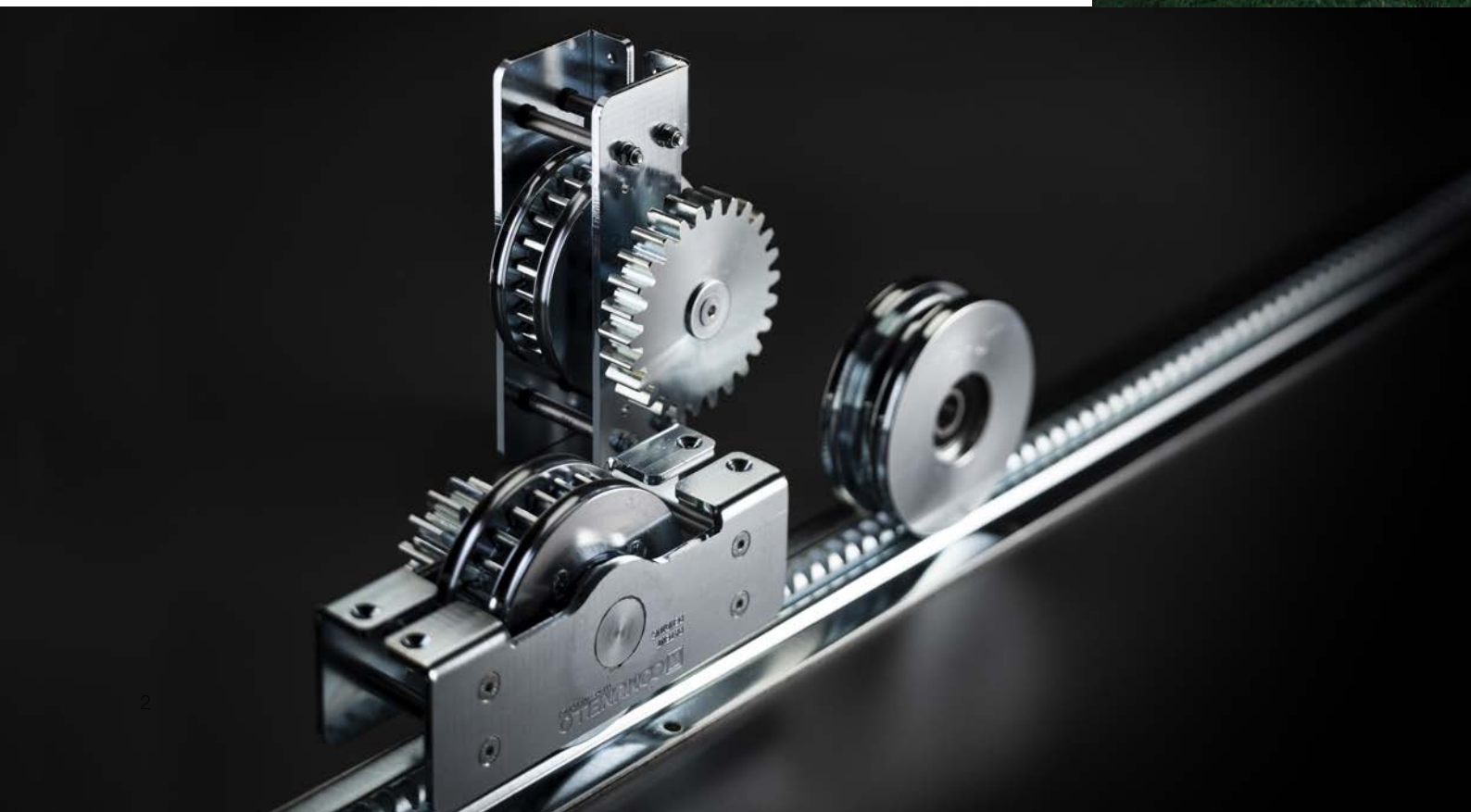


Ranger

The Ranger telescopic system

Ranger

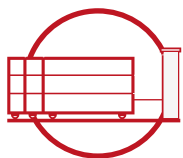
PATENT
PENDING





The Comunello telescopic system. A perfect cableless mechanism that maintains precision year after year.

 **COMUNELLO****GATE**



The Ranger telescopic system

PATENT
PENDING



Guide plate



ART.
RG-254
RG-252
251
252

Track



ART.
289

Toothed tracks



ART.
RG-30 P
RG-30 G
RG-30 Pi
RG-30 Gi

Racks



ART.
260-22x22
262

Bracket



ART.
CG-15M
CG-15P

End cup



ART.
CG-30 M
CG-30 P
CG-30 G
199

End stop



ART.
201
202
202F-A

"U" profile



ART.
RG-387.3
RG-387.6

The Ranger telescopic system does not use cables to transmit drive from one leaf to the next but instead it uses an innovative ground mounted rack track. This rack track transmits movement using a system of hidden pinions that connect to the side rack, motorising the next leaf.

The simplicity of the system ensures that it very easy and rapid to install, remains reliable and requires very low maintenance. The rack tracks are brushed clean on every opening by the two cleaning brushes installed on the front and back of each leaf.



Wheel kits



ART.

2 LEAF KITS

- RG2-100.50
- RG2-100.60
- RG2-100.80
- RG2-120.50
- RG2-120.60
- RG2-120.80
- RG2-140.80
- RG2-140.100

3 LEAF KITS

- RG3-120.50
- RG3-120.60
- RG3-120.80
- RG3-140.80
- RG3-140.100

Brush kit



ART.
RG-15

Template guides



ART.
RG-10 P
RG-10 G
RG-20

Spacers



ART.
264
266

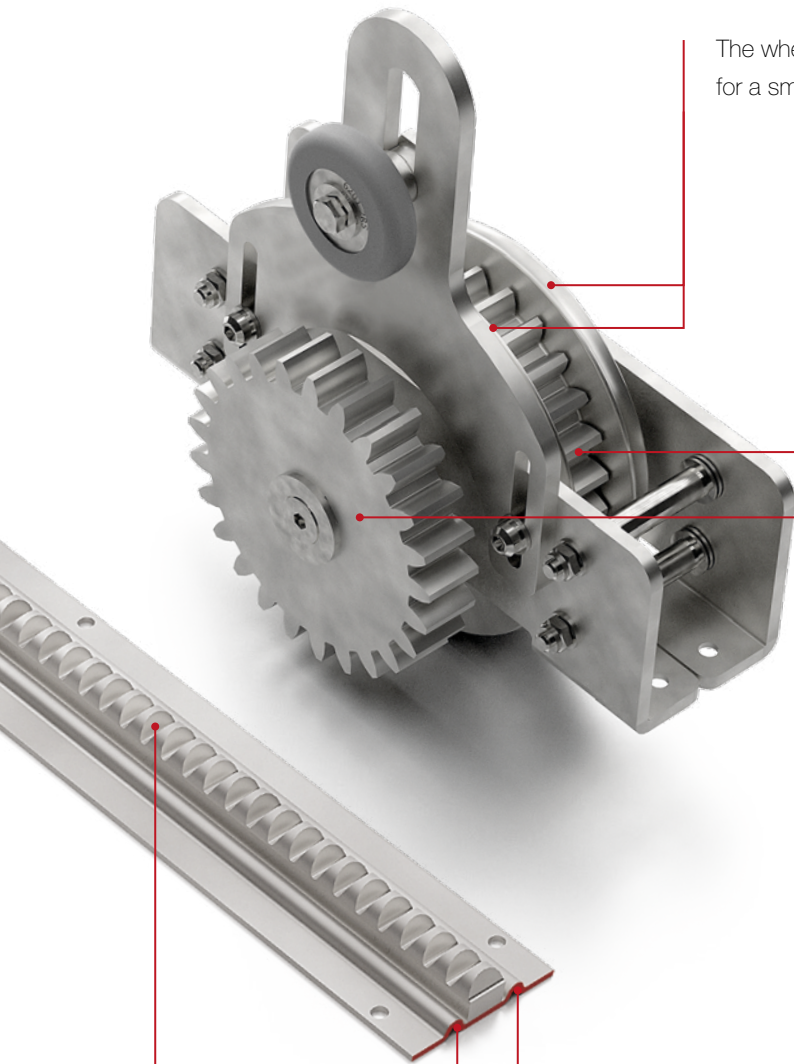
Speed reduction system



ART.
RG-40
RG-45
CG-58
CG-58G

Ranger Components

Principle drive wheel for 2 or 3 leaf systems



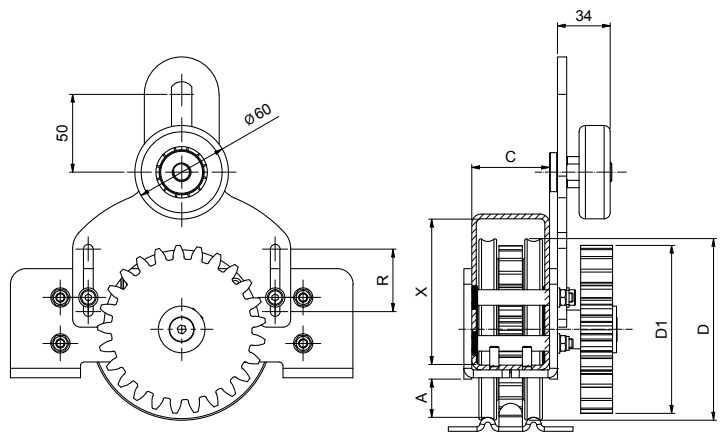
The wheel sits on two external profiles of the track for a smoother movement.

Wheel unit made up of principle pinion drive wheel that, rolling on the rack track, generates the rotation of the external secondary pinion.

The movement via the second external pinion is transmitted to the rack mounted onto the side of the second gate leaf.

The rack track is equipped with two side guides on which the wheel sits. This is to ensure that the weight of the gate is not loaded on the racks teeth.

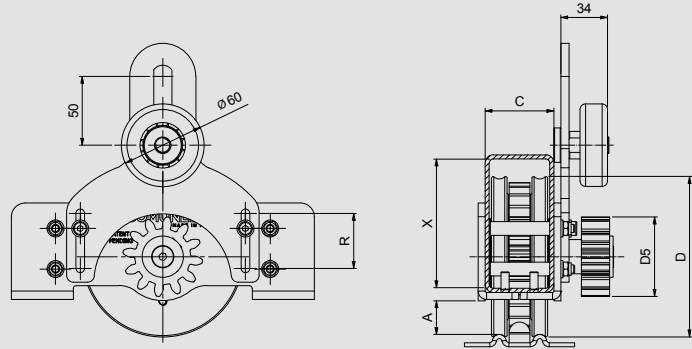
Movement is generated by the ground mounted rack that also functions as a track.



- D** = Wheel diameter
- C** = Internal width (wheel unit)
- D1** = Pinion diameter
- X** = Minimum tube height

D	C	X min	D1	A	R
97	50	67	88	15	40
97	60	67	88	15	40
97	80	67	88	15	40
117	50	88	112	25	40
117	60	88	112	25	40
117	80	88	112	25	40
148	80	114	128	22	60
148	100	114	128	22	60

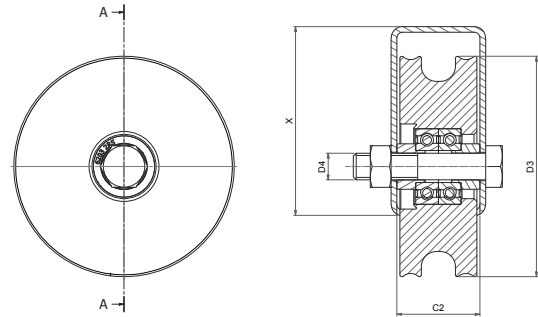
Drive wheel with low ratio secondary pinion for 3 leaf systems



- D** = Wheel diameter
- C** = Internal width (wheel unit)
- D5** = Pinion diameter
- X** = Minimum tube height

D	C	X min	D5	A	R
117	50	88	60	25	40
117	60	88	60	25	40
117	80	88	60	25	40
148	80	114	68	22	60
148	100	114	68	22	60

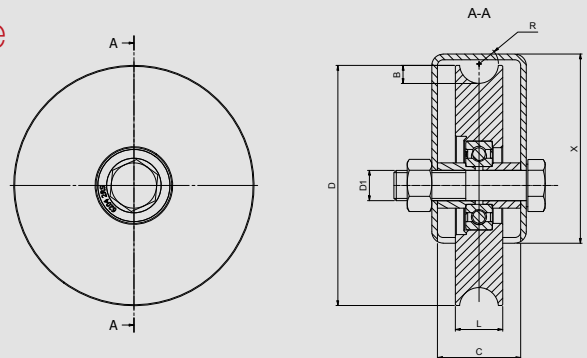
Free wheel



- D3** = Wheel diameter
- C2** = Internal tube width
- D4** = Pin diameter
- X** = Minimum tube height

D3	C2	X min	D4
97	44	80	M14
97	54	80	M14
97	74	80	M14
117	44	100	M14
117	54	100	M14
117	74	100	M14
148	74	120	M16
148	94	120	M16

Standard wheel with half-rounded groove



- D** = Wheel diameter
- L** = Wheel width
- R** = Groove radius
- C** = Internal tube width
- B** = Groove depth
- X** = Minimum tube height

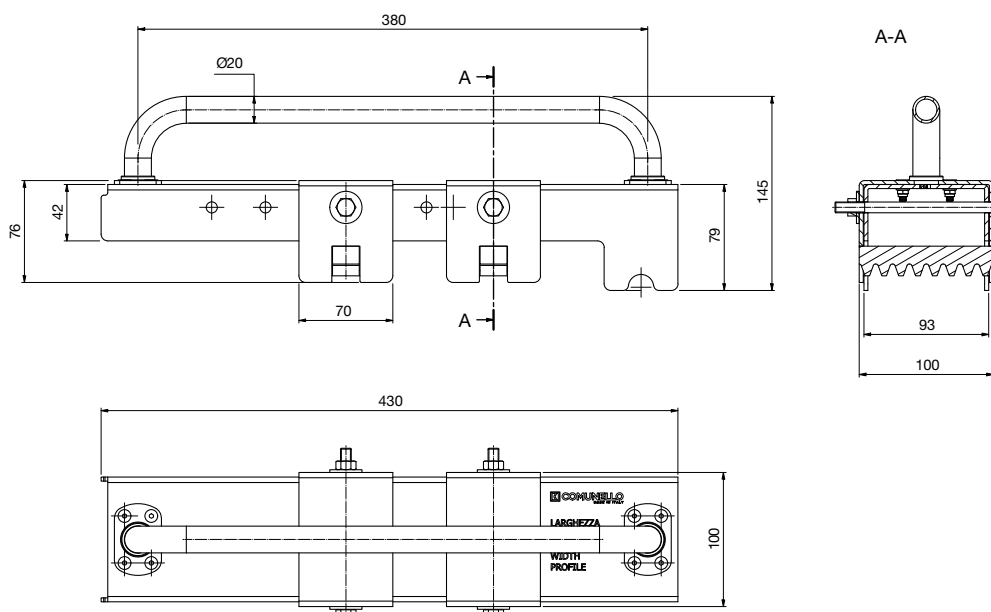
D	L	R	C	B	D1	X min	N. BEARING
107	25	10.3	44	9.5	14	80	1
107	25	10.3	54	9.5	14	80	1
107	25	10.3	74	9.5	14	80	1
127	25	10.3	44	9.5	16	100	1
127	25	10.3	54	9.5	16	100	1
127	25	10.3	74	9.5	16	100	1
157	33	11.5	74	11.5	16	120	2
157	33	11.5	94	11.5	16	120	2

RANGER

2 template guide kit for Rack Track installation

RG-10

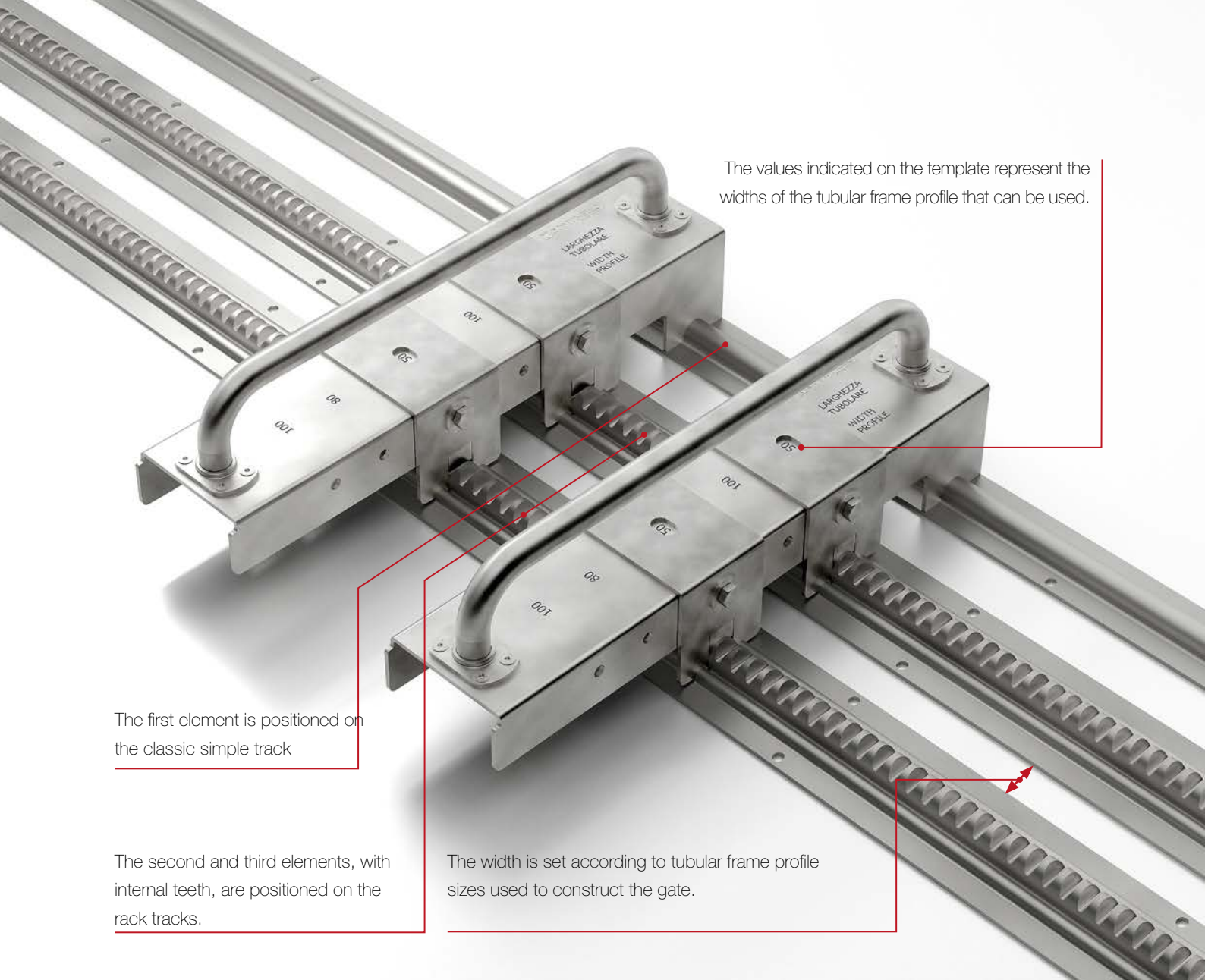
Template kit for alignment and placement of Ranger system tracks
 Kit de gabarit pour l'alignement et le placement de rails du système Rangert
 Schablone Kit für die Einreihung und die Positionierung den Ranger System BodenLaufschiene
 Kit de plantilla para alineación y colocación de rieles del sistema Ranger
 Комплект шаблонов выравнивания и размещения рельсов для системы Ranger



CODE	ART.	Box info	
		Pcs per pack	Kg
10131110 001	RG 10 P	1	6.4
10131101 001	RG 10 G	1	6.4

This alignment guide tools ensure a rapid and precise installation of the rack tracks that make up the 2 or 3 leaf telescopic system. The simple track is the first to be installed, from this reference the rack tracks are positioned in perfect parallel alignment using

two guide templates at a distance dictated by the tubular frame section of the gate. Thanks to the guide template the parallelism of the tracks is maintained and when two pieces of rack track are to be joined they will ensure the synchronization of the teeth.



The values indicated on the template represent the widths of the tubular frame profile that can be used.

The first element is positioned on the classic simple track

The second and third elements, with internal teeth, are positioned on the rack tracks.

The width is set according to tubular frame profile sizes used to construct the gate.



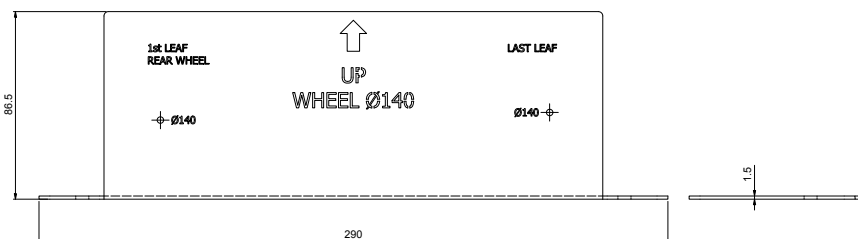
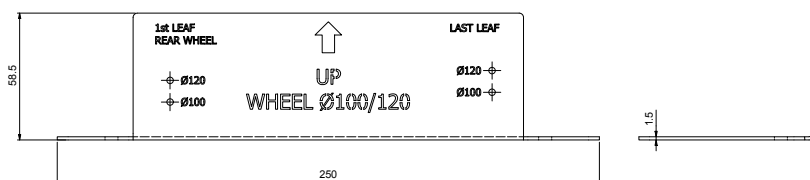
The Rack Track installation templates are used to ensure a precise and parallel alignment of the tracks and rack tracks, and can be width regulated depending on the thickness of the tubular profile used in the construction of the gate.

When two pieces of rack track are to be joined, the precise position for the teeth can be achieved using the toothed element of the template guide which should be positioned on the joint where the two pieces of track meet.

2 template kit for wheel unit fixing

RG-20

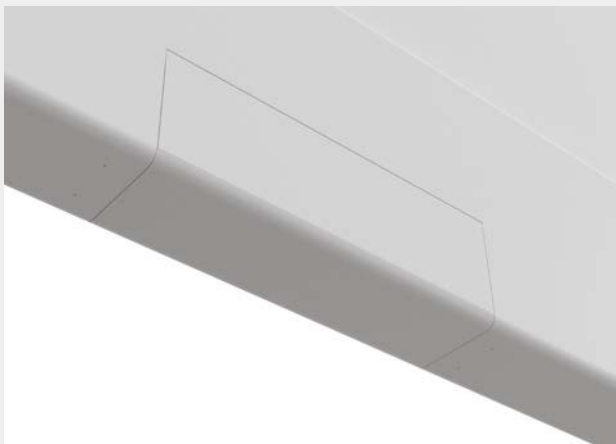
Template kit for wheels fixation
 Kit de gabarit pour la fixation des galets
 Rädern Befestigung Schablone Kit
 Kit de plantilla para fijación de ruedas
 Комплект шаблонов выравнивания для колес



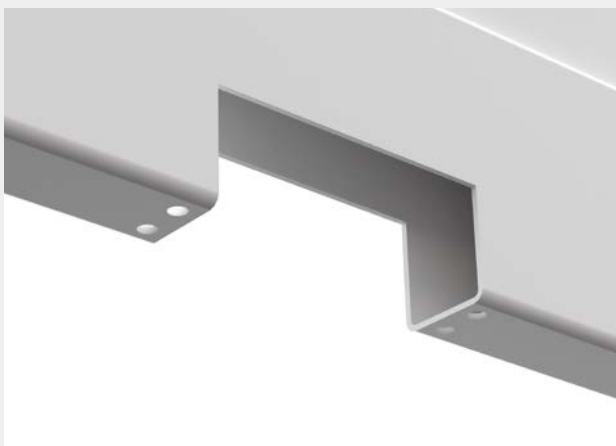
CODE	ART.	Box info	
		Pcs per pack	Kg
10131102 001	RG-20	1	0.9



1 Using the template mark the area to cut and drill



2 The tubular section is marked



3 Cut and drill the tubular section

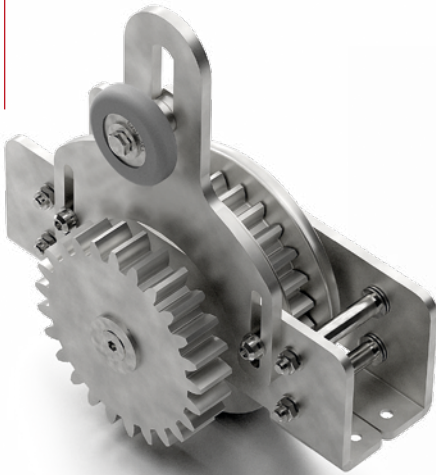


4 Fix the drive wheel

Life made easy

Ranger system components for **2 leaf** gates

Drive wheel



Free wheel

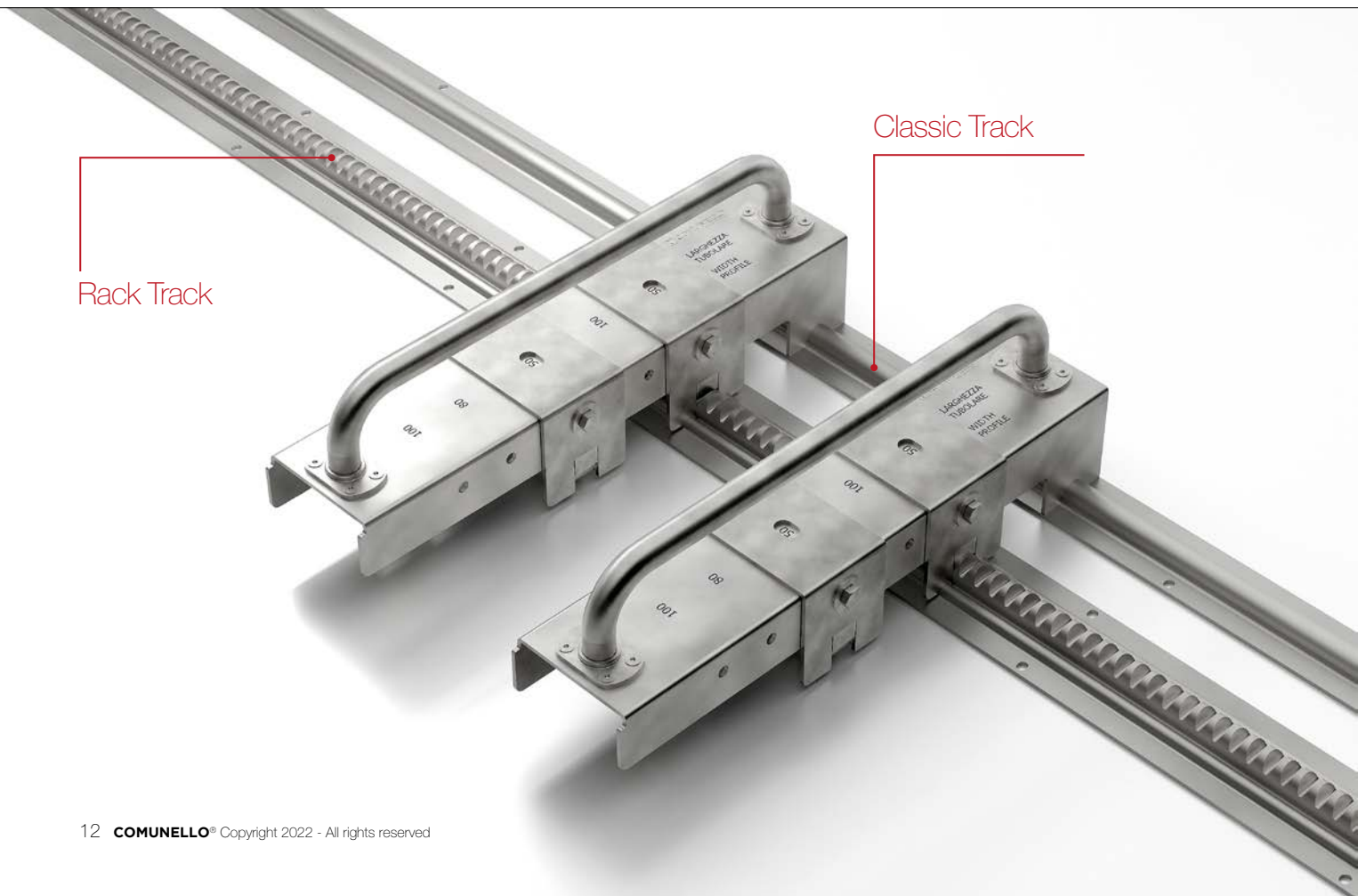


Standard wheel with half-rounded groove

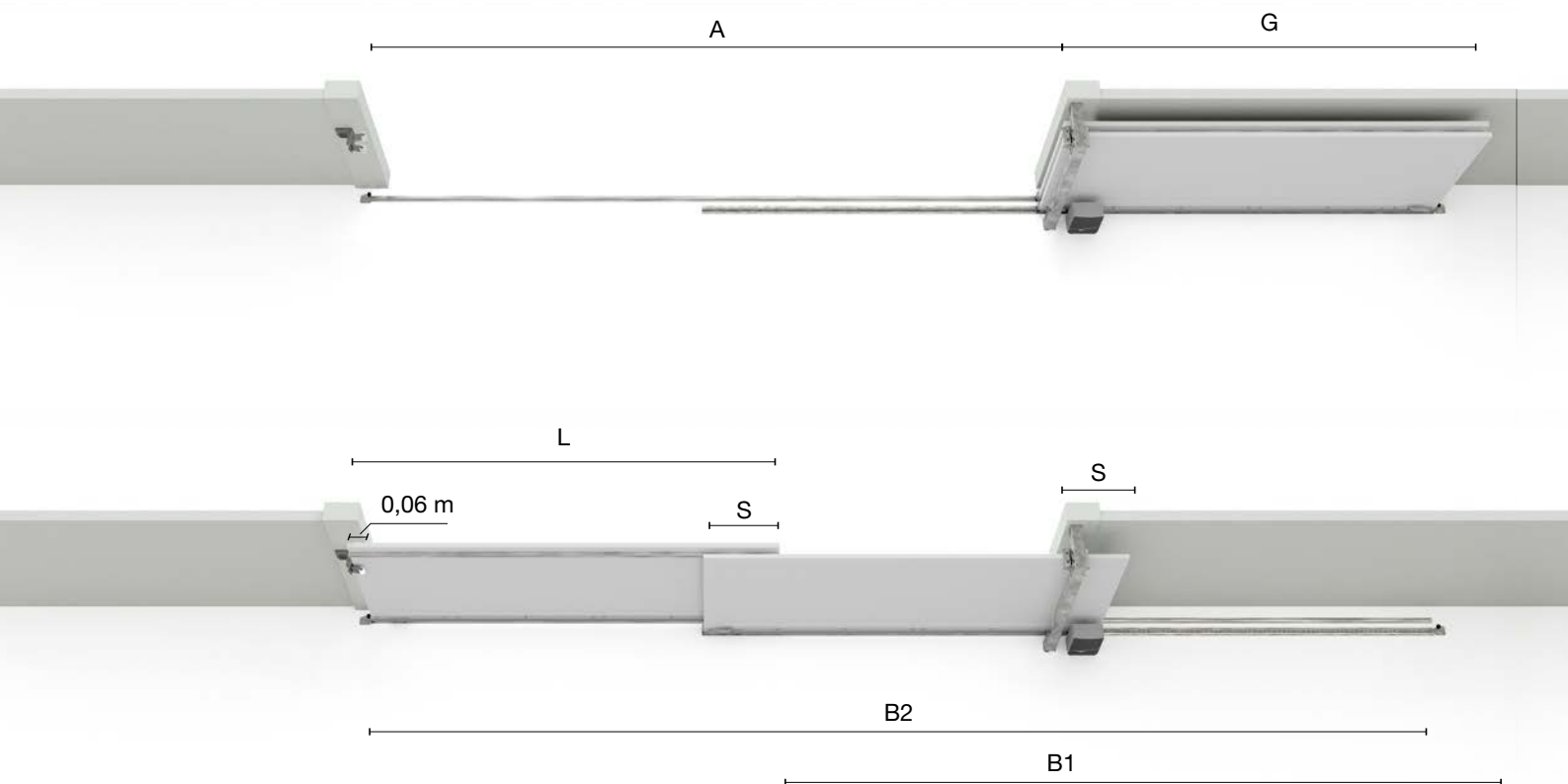


Rack Track

Classic Track



Ranger configurator for 2 leaf gates

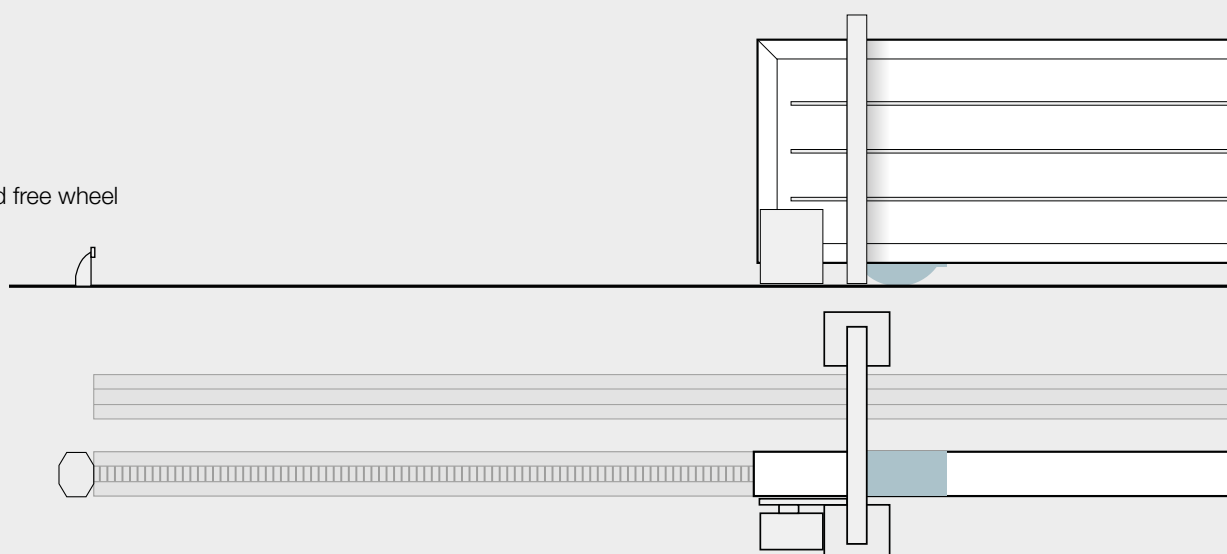


Opening A (m)	N° Leaves	Leaf length L (m)	Minimum space available G (m)	Track length 1 RG-30 B1 (m)	Track length 2 289 B2 (m)
2	2	1.38	1.58	2.41	3.44
2,5	2	1.63	1.83	2.91	4.19
3	2	1.88	2.08	3.41	4.94
3,5	2	2.13	2.33	3.91	5.69
4	2	2.38	2.58	4.41	6.44
4,5	2	2.63	2.83	4.91	7.19
5	2	2.88	3.08	5.41	7.94
5,5	2	3.13	3.33	5.91	8.69
6	2	3.38	3.58	6.41	9.44
6,5	2	3.63	3.83	6.91	10.19
7	2	3.88	4.08	7.41	10.94
7,5	2	4.13	4.33	7.91	11.69
8	2	4.38	4.58	8.41	12.44

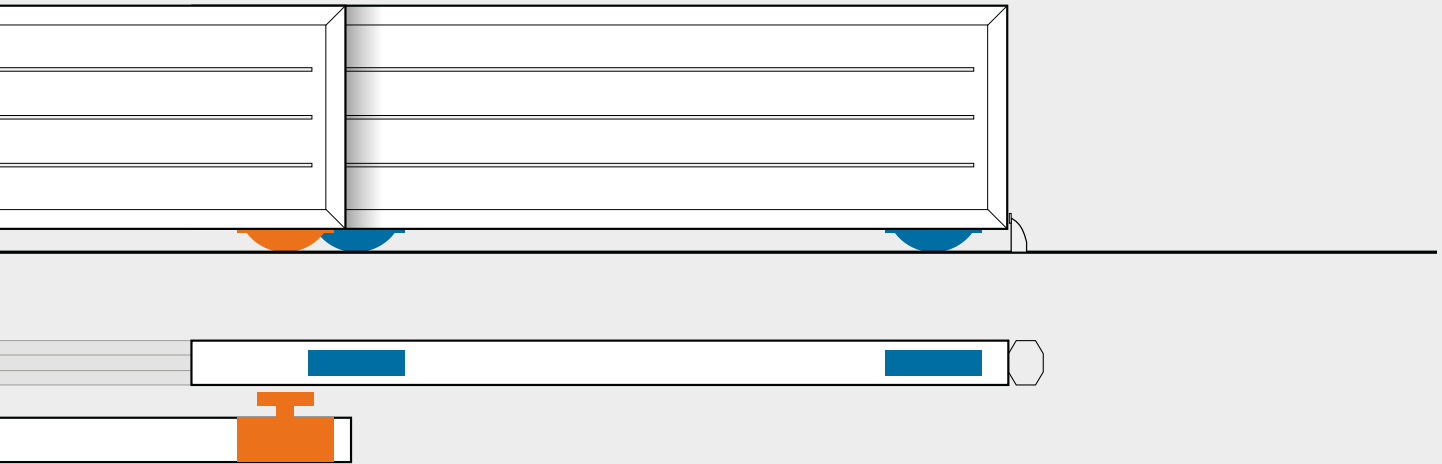
- $L (m) = (A + 0.06) \div 2 + S$
- $G \text{ min } (m) = L + 0.2$
- $B1 (m) = (L \times 2) - S$
- $B2 (m) = (L \times 3) - (S \times 2)$










Ranger Wheel Kit for 2 leaf

- Drive wheel
- Free wheel
- Second leaf standard free wheel



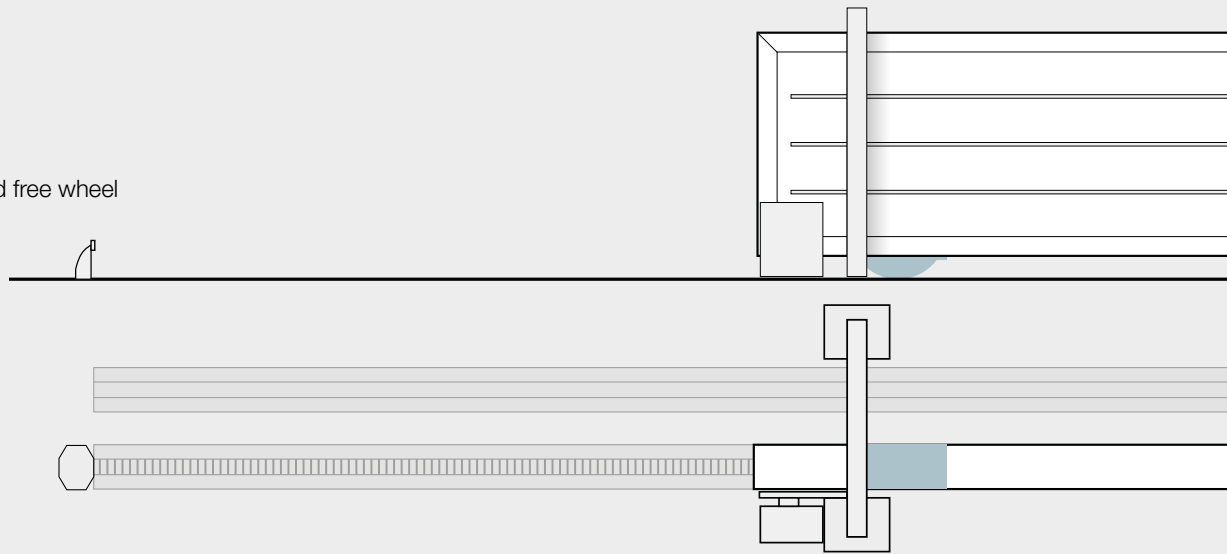
CODE	ART.	DESCRIPTION	Tubular frame width mm	Minimum tube height mm	
11500440 001	RG2-100.50	Kit Ranger for telescopic door with 2 leaves, ø100 mm wheels for 50 mm tubular <i>Kit Ranger pour porte télescopique avec deux vantaux, galets ø 100 mm pour tubulaire de 50 mm</i> <i>Kit Ranger für teleskopisches Schiebetores mit 2 Flügeln, ø100 mm Rädern für 50 mm Schlauchreifen</i> <i>Kit Ranger para puerta telescópica con dos hojas, ruedas de ø 100 mm para tubular de 50 mm</i> <i>Комплект Ranger для телескопических ворот с двумя створками, ø100 мм колеса для трубы 50 мм</i>	50 ↔	80 ↕	
11500442 001	RG2-100.60	Kit Ranger for telescopic door with 2 leaves, ø100 mm wheels for 60 mm tubular <i>Kit Ranger pour porte télescopique avec deux vantaux, galets ø 100 mm pour tubulaire de 60 mm</i> <i>Kit Ranger für teleskopisches Schiebetores mit 2 Flügeln, ø100 mm Rädern für 60 mm Schlauchreifen</i> <i>Kit Ranger para puerta telescópica con dos hojas, ruedas de ø 100 mm para tubular de 60 mm</i> <i>Комплект Ranger для телескопических ворот с двумя створками, ø100 мм колеса для трубы 60 мм</i>	60 ↔	80 ↕	
11500444 001	RG2-100.80	Kit Ranger for telescopic door with 2 leaves, ø100 mm wheels for 80 mm tubular <i>Kit Ranger pour porte télescopique avec deux vantaux, galets ø 100 mm pour tubulaire de 80 mm</i> <i>Kit Ranger für teleskopisches Schiebetores mit 2 Flügeln, ø100 mm Rädern für 80 mm Schlauchreifen</i> <i>Kit Ranger para puerta telescópica con dos hojas, ruedas de ø 100 mm para tubular de 80 mm</i> <i>Комплект Ranger для телескопических ворот с двумя створками, ø100 мм колеса для трубы 80 мм</i>	80 ↔	80 ↕	



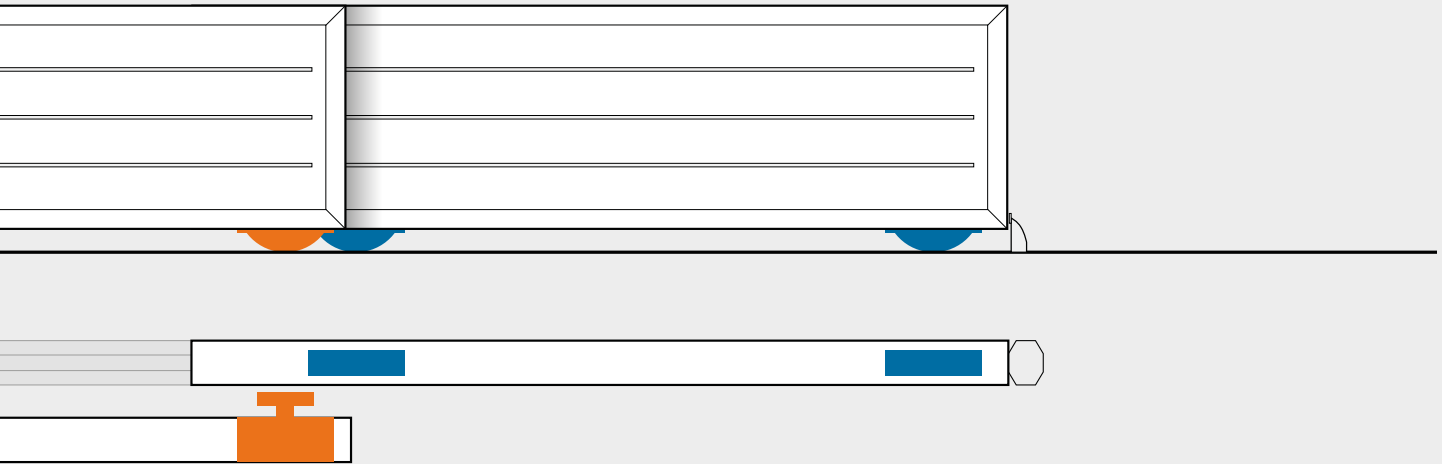
Max leaf weight kg	KIT ELEMENTS			Kit per pack	Kg
	Drive wheel	Free wheel	Standard wheel with half-rounded groove		
250	 Ø 97	 Ø 97	 Ø 107	1	10.3
250	 Ø 97	 Ø 97	 Ø 107	1	10.4
250	 Ø 97	 Ø 97	 Ø 107	1	10.7

Ranger Wheel Kit for 2 leaf

- Drive wheel
- Free wheel
- Second leaf standard free wheel



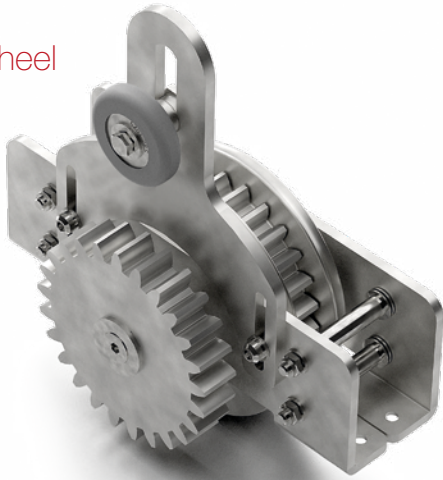
CODE	ART.	DESCRIPTION	Tubular frame width mm	Minimum tube height mm
11500441 001	RG2-120.50	Kit Ranger for telescopic door with 2 leaves, ø120 mm wheels for 50 mm tubular <i>Kit Ranger pour porte télescopique avec deux vantaux, galets ø 120 mm pour tubulaire de 50 mm</i> <i>Kit Ranger für teleskopisches Schiebetores mit 2 Flügeln, ø120 mm Rädern für 50 mm Schlauchreifen</i> <i>Kit Ranger para puerta telescópica con dos hojas, ruedas de ø 120 mm para tubular de 50 mm</i> <i>Комплект Ranger для телескопических ворот с двумя створками, ø120 мм колеса для трубы 50 мм</i>	50	100
11500443 001	RG2-120.60	Kit Ranger for telescopic door with 2 leaves, ø120 mm wheels for 60 mm tubular <i>Kit Ranger pour porte télescopique avec deux vantaux, galets ø 120 mm pour tubulaire de 60 mm</i> <i>Kit Ranger für teleskopisches Schiebetores mit 2 Flügeln, ø120 mm Rädern für 60 mm Schlauchreifen</i> <i>Kit Ranger para puerta telescópica con dos hojas, ruedas ø 120 mm para tubular de 60 mm</i> <i>Комплект Ranger для телескопических ворот с двумя створками, ø120 мм колеса для трубы 60 мм</i>	60	100
11500445 001	RG2-120.80	Kit Ranger for telescopic door with 2 leaves, ø120 mm wheels for 80 mm tubular <i>Kit Ranger pour porte télescopique avec deux vantaux, galets ø 120 mm pour tubulaire de 80 mm</i> <i>Kit Ranger für teleskopisches Schiebetores mit 2 Flügeln, ø120 mm Rädern für 80 mm Schlauchreifen</i> <i>Kit Ranger para puerta telescópica con dos hojas, ruedas ø 120 mm para tubular de 80 mm</i> <i>Комплект Ranger для телескопических ворот с двумя створками, ø120 мм колеса для трубы 80 мм</i>	80	100
11500406 001	RG2-140.80	Kit Ranger for telescopic door with 2 leaves, ø140 mm wheels for 80 mm tubular <i>Kit Ranger pour porte télescopique avec deux vantaux, galets ø 140 mm pour tubulaire de 80 mm</i> <i>Kit Ranger für teleskopisches Schiebetores mit 2 Flügeln, ø140 mm Rädern für 80 mm Schlauchreifen</i> <i>Kit Ranger para puerta telescópica con dos hojas, ruedas ø 140 mm para tubular de 80 mm</i> <i>Комплект Ranger для телескопических ворот с двумя створками, ø140 мм колеса для трубы 80 мм</i>	80	120
11500408 001	RG2-140.100	Kit Ranger for telescopic door with 2 leaves, ø140 mm wheels for 100 mm tubular <i>Kit Ranger pour porte télescopique avec deux vantaux, galets ø 140 mm pour tubulaire de 100 mm</i> <i>Kit Ranger für teleskopisches Schiebetores mit 2 Flügeln, ø140 mm Rädern für 100 mm Schlauchreifen</i> <i>Kit Ranger para puerta telescópica con dos hojas, ruedas ø 140 mm para tubular de 100 mm</i> <i>Комплект Ranger для телескопических ворот с двумя створками, ø140 мм колеса для трубы 100 мм</i>	100	120



Max leaf weight kg	KIT ELEMENTS			Kit per pack	Kg
	Drive wheel	Free wheel	Standard wheel with half-rounded groove		
400	 Ø 117	 Ø 117	 Ø 127	1	14.2
400	 Ø 117	 Ø 117	 Ø 127	1	14.2
400	 Ø 117	 Ø 117	 Ø 127	1	14.4
400	 Ø 148	 Ø 148	 Ø 157	1	26.4
400	 Ø 148	 Ø 148	 Ø 157	1	26.7

Ranger system components for **3 leaf** gates

Drive wheel



Free wheel



Drive wheel with low ratio

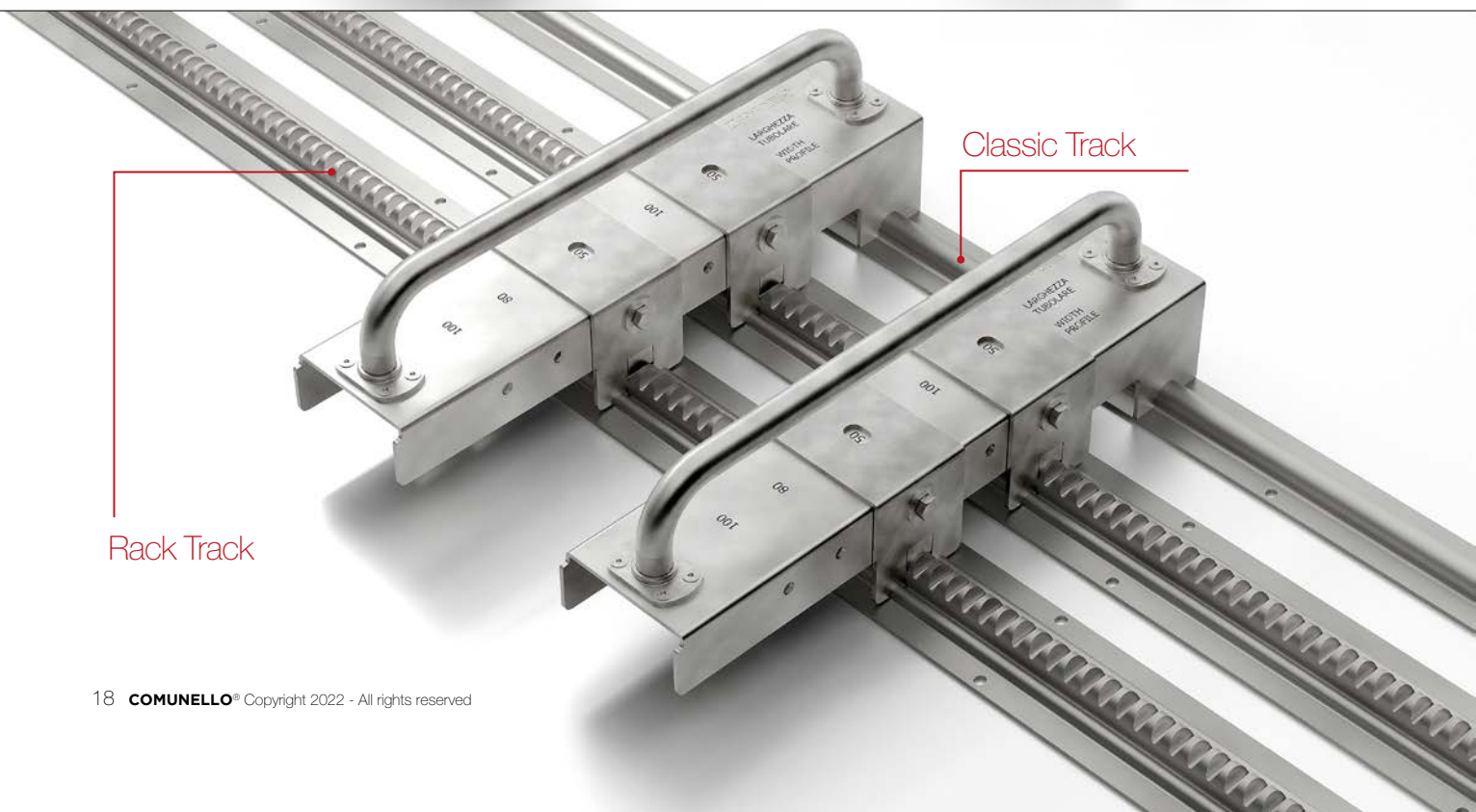


Standard wheel with half-rounded groove

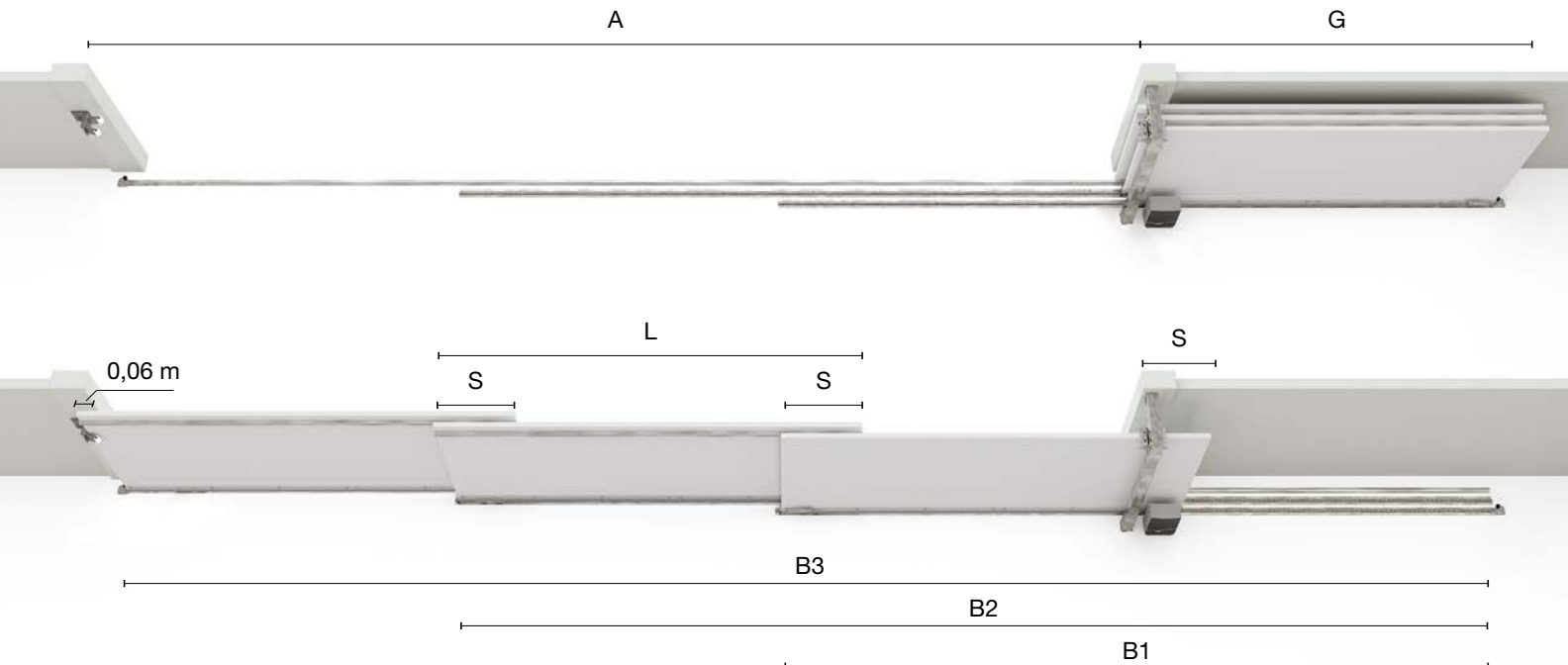


Rack Track

Classic Track



Ranger configurator for 3 leaf gates



Opening A (m)	N° Leaves	Leaf length L (m)	Minimum space available G (m)	Track length 1 RG-30 B1 (m)	Track length 2 RG-30 B2 (m)	Track length 3 289
2	3	1.04	1.24	1.72	2.41	3.10
2,5	3	1.20	1.40	2.06	2.91	3.76
3	3	1.37	1.57	2.39	3.41	4.43
3,5	3	1.54	1.74	2.72	3.91	5.10
4	3	1.70	1.90	3.06	4.41	5.76
4,5	3	1.87	2.07	3.39	4.91	6.43
5	3	2.04	2.24	3.72	5.41	7.10
5,5	3	2.20	2.40	4.06	5.91	7.76
6	3	2.37	2.57	4.39	6.41	8.43
6,5	3	2.54	2.74	4.72	6.91	9.10
7	3	2.70	2.90	5.06	7.41	9.76
7,5	3	2.87	3.07	5.39	7.91	10.43
8	3	3.04	3.24	5.72	8.41	11.10
8,5	3	3.20	3.40	6.06	8.91	11.76
9	3	3.37	3.57	6.39	9.41	12.43
9,5	3	3.54	3.74	6.72	9.91	13.10
10	3	3.70	3.90	7.06	10.41	13.76
10,5	3	3.87	4.07	7.39	10.91	14.43
11	3	4.04	4.24	7.72	11.41	15.10
11,5	3	4.20	4.40	8.06	11.91	15.76
12	3	4.37	4.57	8.39	12.41	16.43

$$L (m) = (A + 0.06) \div 3 + S$$

$$G \text{ min (m)} = L + 0.2$$

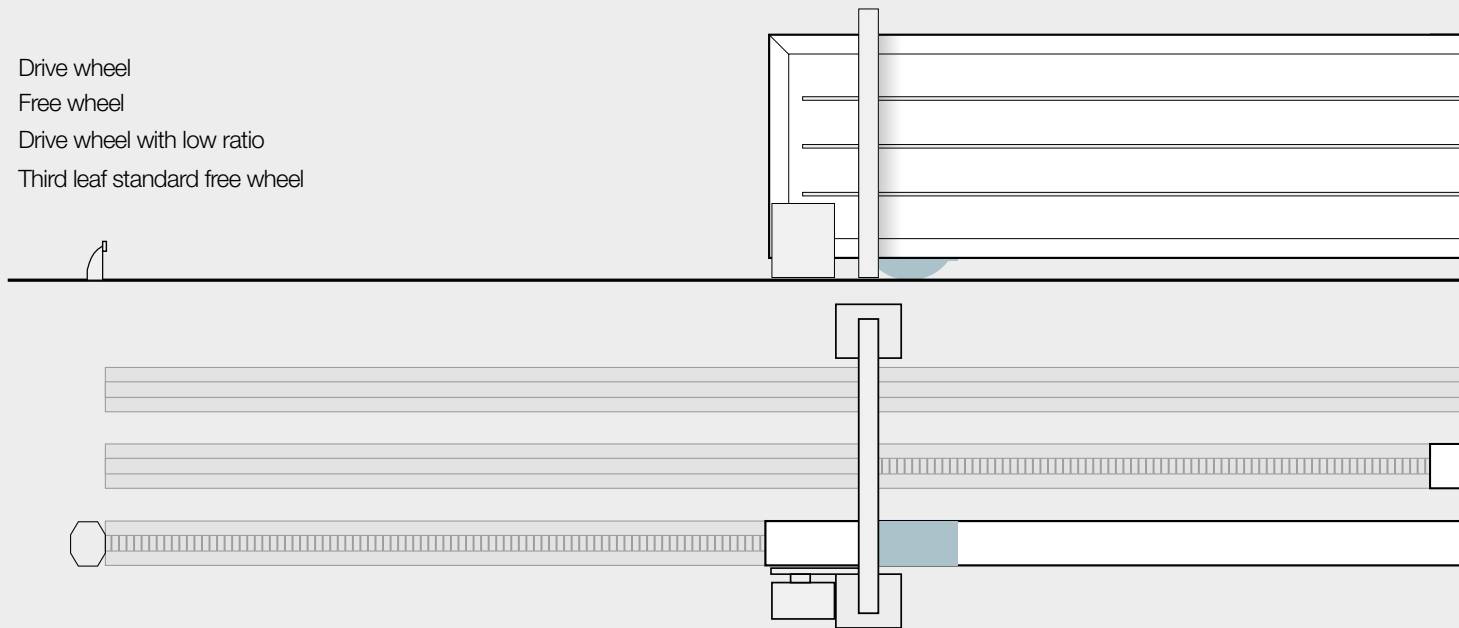
$$B1 (m) = (L \times 2) - S$$

$$B2 (m) = (L \times 3) - (S \times 2)$$

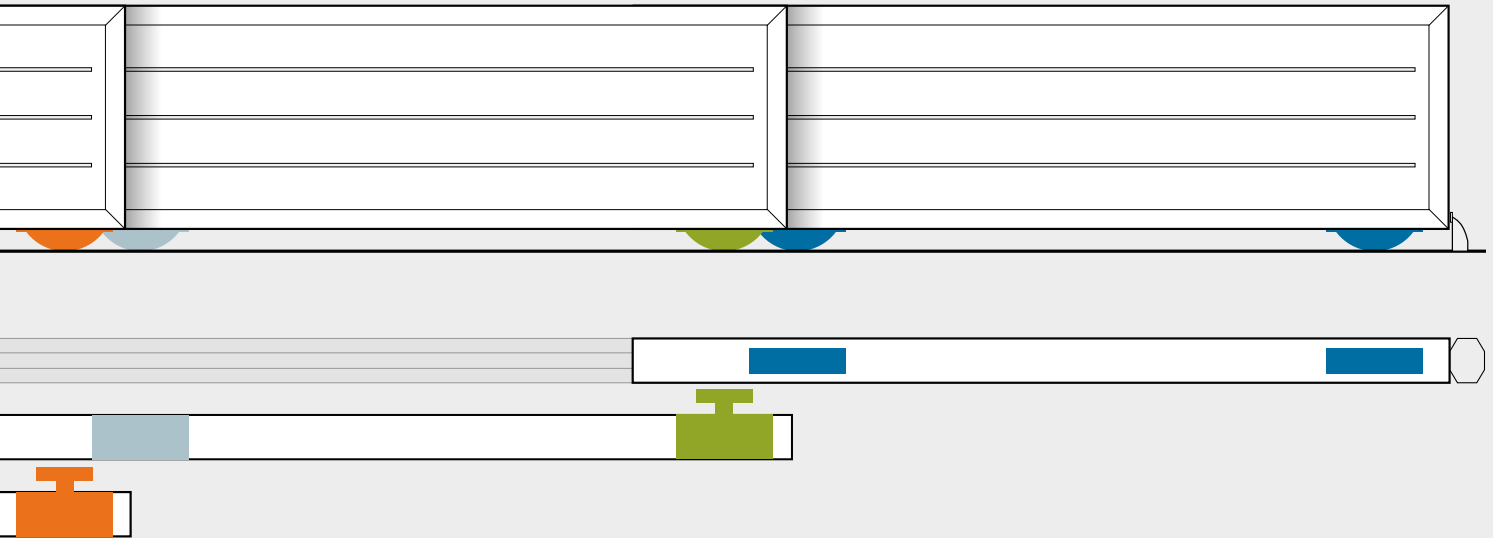
$$B3 (m) = (L \times 4) - (S \times 3)$$















Ranger Wheel Kit for 3 leaf gates

- Drive wheel
- Free wheel
- Drive wheel with low ratio
- Third leaf standard free wheel



CODE	ART.	DESCRIPTION	Tubular frame width mm	Minimum tube height mm
11500450 001	RG3-120.50	Kit Ranger for telescopic door with 3 leaves, ø120 mm wheels for 50 mm tubular Kit Ranger pour porte télescopique avec 3 vantaux, galets ø 120 mm pour tubulaire de 50 mm Kit Ranger für teleskopisches Schiebetores mit 3 Flügeln, ø120 mm Rädern für 50 mm Schlauchreifen Kit Ranger para puerta telescópica con 3 hojas, ruedas ø 120 mm para tubular de 50 mm Комплект Ranger для телескопических ворот с тремя створками, ø120 мм колеса для трубы 50 мм	50	100
11500451 001	RG3-120.60	Kit Ranger for telescopic door with 3 leaves, ø120 mm wheels for 60 mm tubular Kit Ranger pour porte télescopique avec 3 vantaux, galets ø 120 mm pour tubulaire de 60 mm Kit Ranger für teleskopisches Schiebetores mit 3 Flügeln, ø120 mm Rädern für 60 mm Schlauchreifen Kit Ranger para puerta telescópica con 3 hojas, ruedas ø 120 mm para tubular de 60 mm Комплект Ranger для телескопических ворот с тремя створками, ø120 мм колеса для трубы 60 мм	60	100
11500452 001	RG3-120.80	Kit Ranger for telescopic door with 3 leaves, ø120 mm wheels for 80 mm tubular Kit Ranger pour porte télescopique avec 3 vantaux, galets ø 120 mm pour tubulaire de 80 mm Kit Ranger für teleskopisches Schiebetores mit 3 Flügeln, ø120 mm Rädern für 80 mm Schlauchreifen Kit Ranger para puerta telescópica con 3 hojas, ruedas ø 120 mm para tubular de 80 mm Комплект Ranger для телескопических ворот с тремя створками, ø120 мм колеса для трубы 80 мм	80	100
11500413 001	RG3-140.80	Kit Ranger for telescopic door with 3 leaves, ø140 mm wheels for 80 mm tubular Kit Ranger pour porte télescopique avec 3 vantaux, galets ø 140 mm pour tubulaire de 80 mm Kit Ranger für teleskopisches Schiebetores mit 3 Flügeln, ø140 mm Rädern für 80 mm Schlauchreifen Kit Ranger para puerta telescópica con 3 hojas, ruedas ø 140 mm para tubular de 80 mm Комплект Ranger для телескопических ворот с тремя створками, ø140 мм колеса для трубы 80 мм	80	120
11500414 001	RG3-140.100	Kit Ranger for telescopic door with 3 leaves, ø140 mm wheels for 100 mm tubular Kit Ranger pour porte télescopique avec 3 vantaux, galets ø 140 mm pour tubulaire de 100 mm Kit Ranger für teleskopisches Schiebetores mit 3 Flügeln, ø140 mm Rädern für 100 mm Schlauchreifen Kit Ranger para puerta telescópica con 3 hojas, ruedas ø 140 mm para tubular de 100 mm Комплект Ranger для телескопических ворот с тремя створками, ø140 мм колеса для трубы 100 мм	100	120



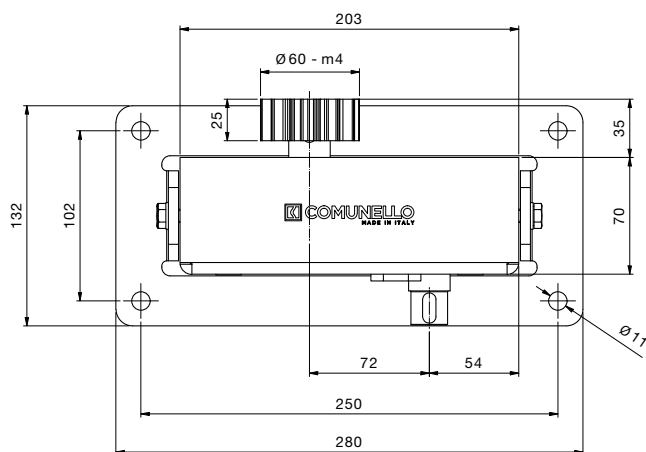
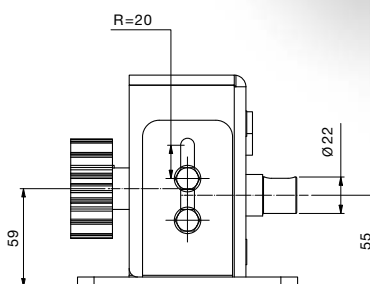
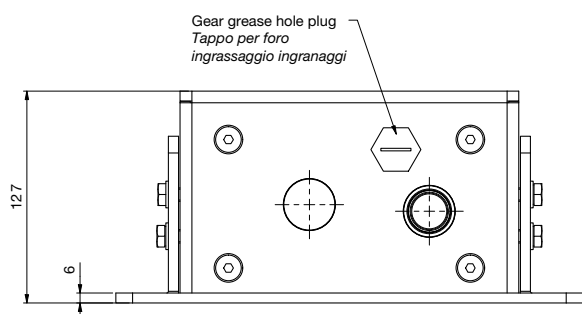
Max leaf weight kg	KIT ELEMENTS				Kit per pack	Kg
	Drive wheel	Free wheel	Drive wheel with low ratio	Standard wheel with half-rounded groove		
200	 Ø 117	 Ø 117	 Ø 117	 Ø 127	1	14.2
200	 Ø 117	 Ø 117	 Ø 117	 Ø 127	1	14.2
200	 Ø 117	 Ø 117	 Ø 117	 Ø 127	1	14.4
200	 Ø 148	 Ø 148	 Ø 148	 Ø 157	1	26.4
200	 Ø 148	 Ø 148	 Ø 148	 Ø 157	1	26.7

RANGER

Ranger speed reduction system

RG-40

Speed reduction system for M4 module racks
 Système de réduction de vitesse pour crémaillères avec module M4
 Geschwindigkeitsreduzierungssystem für M4-Zahnstangen
 Sistema de reducción de velocidad para cremalleras con módulo M4
 Система снижения скорости для зубчатых реек M4



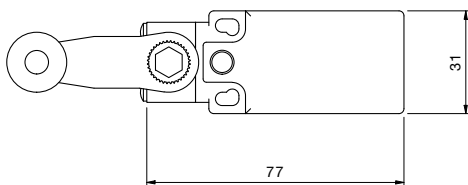
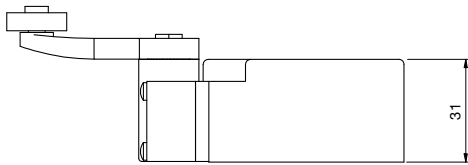
Thanks to the RG-40 reduction system it is possible to halve the actuator speed without decreasing the force.

CODE	ART.	Box info	
		Pcs per pack	Kg
11500420 001	RG-40	1	7.5

It is possible to reduce the speed of the 2 or 3 leaf ranger telescopic gate using the RG-40 speed reduction system. The system is fitted to the foundation block and engaged directly to the rack on the first leaf. The motor is then fitted, using the CG-58 automation adapter, directly to the speed reduction system drive shaft.

RG-45

Electromechanical limit switch
 Fin de course électromécanique
 Elektromechanischer Endschalter
 Final de carrera electromecánico
 Электромеханический концевой выключатель



Thanks to the CG-45 limit switch it is possible to use all standard limit switch accessories such as brackets.

CODE	ART.	Box info	
		Pcs per pack	Kg
11500421	RG-45	1	0.1



Ranger Accessories

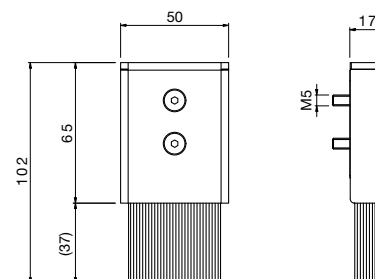
RG-15

2 Brush kit
 Kit de 2 brosses
 2 Bürsten Kit
 Kit de 2 cepillos
 Комплект 2 щетки



CODE	ART.	Box info	
		Pcs per pack	Kg
12301600 001	RG-15	1	0.8

Finishing: Galvanized



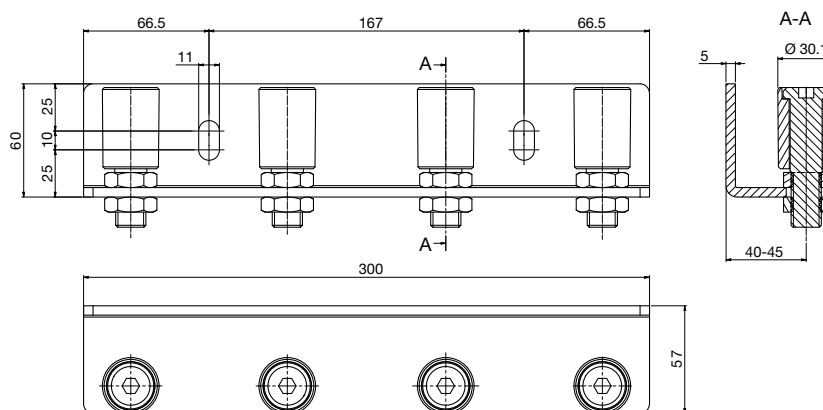
RG-254

Guiding plate for gate with two 4 rollers
 Platine guide-portail avec 4 rouleaux
 Torföhrungsbügel mit 4 Führungsrolle
 Placa de guía de puerta con 4 rodillos
 Регулируемая направляющая пластина
 для ворот с 4 наконечниками



CODE	ART.	Box info	
		Pcs per pack	Kg
11306410 001	RG-254	1	2

Finishing: Galvanized



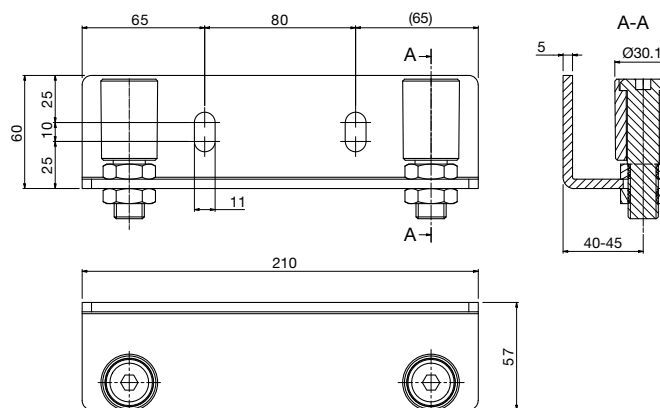
RG-252

Guiding plate for gate with two 2 rollers
 Platine guide-portail avec 2 rouleaux
 Torföhrungsbügel mit 2 Führungsrolle
 Placa de guía de puerta con 2 rodillos
 Регулируемая направляющая пластина
 для ворот с 2 наконечниками



CODE	ART.	Box info	
		Pcs per pack	Kg
11306415 001	RG-252	1	1.3

Finishing: Galvanized



Compatible accessories

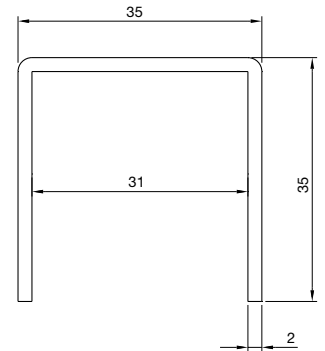
RG-387

3/6 m "u" profile for guiding plate
RG-254 and RG-252
Profil 3/6 m en forme de "u" pour
platine guide TG-254 et TG-252
3/6 m U-Profil für Torführungsbügel
RG-254 und RG-252
Perfil "U" de 3/6 m para las placas
de guía RG-254 y RG-252
Профиль 3/6м "u" для направляющей
пластины RG-254 и RG-252



CODE	ART.	Size	Box info	
			Pcs per pack	Kg
10210105 001	RG-387.3	3 m	1	4.7
10210101 001	RG-387.6	6 m	1	9.4

Finishing: Galvanized

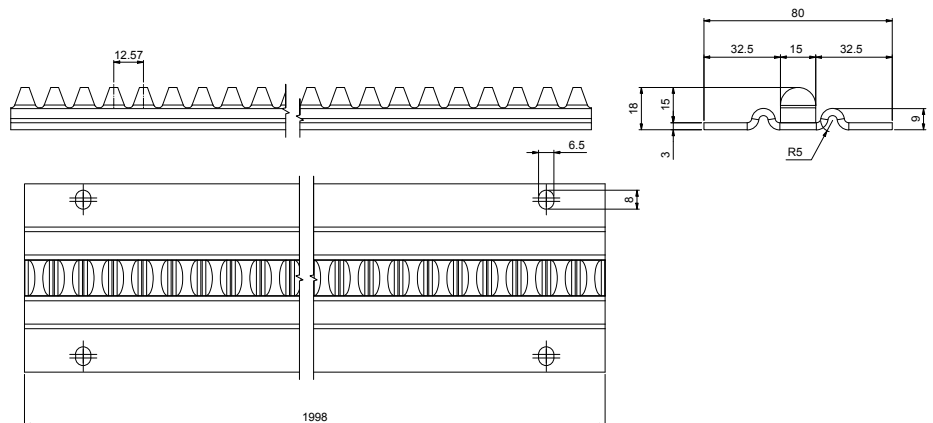


RG-30 P

Rack track 15x15 to be bolted for 97 mm and 117 mm wheels. Track piece length 2 metres
Rail et crémaillère 15x15 à visser pour galets de Ø 97 et 117 mm. Longueur 2 m
Rackschiene 15x15 zur Befestigung für Rädern von 97 - 117 mm. Länge 2 m
Carril y cremallera 15x15 a fijar por ruedas de Ø 97 y Ø 117 mm. Longitud 2 m
Прикрепляемый зубчатый рельс 15x15 для колес 97 мм и 117 мм. Длина 2м



CODE	ART.	Finishing	Image	Box info	
				Pcs per pack	Kg
11400539 001	RG-30 P 2MT	Galvanized		1	9
11400639	RG-30i P 2MT	S.Steel		1	9

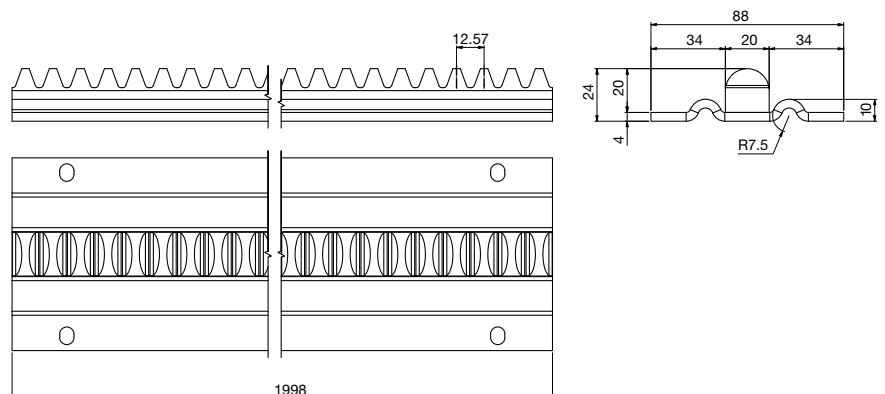


RG-30 G

Rack track 20x20 to be bolted for 148 mm wheels. Track piece length 2 metres
Rail et crémaillère 20x20 à visser pour galets de Ø 148 mm. Longueur 2 m
Rackschiene 20x20 zur Befestigung für Rädern von 148 mm. Länge 2 m
Carril y cremallera 20x20 a fijar por ruedas de Ø 148 mm. Longitud 2 m
Прикрепляемый зубчатый рельс 20x20 для колес 148 мм. Длина 2м



CODE	ART.	Finishing	Image	Box info	
				Pcs per pack	Kg
11400534 001	RG-30 G 2MT	Galvanized		1	10,8
11400634	RG-30i G 2MT	S.Steel		1	10,8



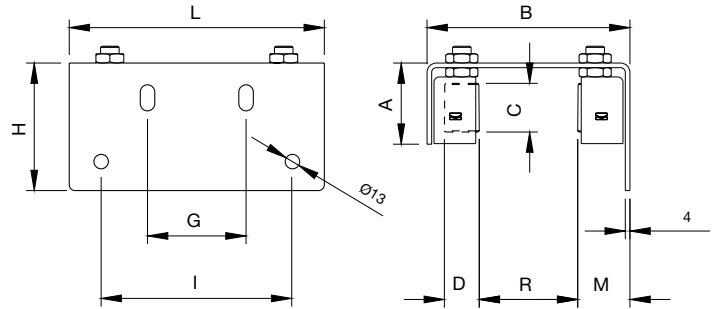
256

Adjustable guiding plate for gates with long wing to be screwed
 Platine guide-portail réglable avec aile longue à visser
 Verstellbarer Torführungsbügel mit langem Flügel zum Anschrauben
 Placa de guía de la puerta regulable con ala larga para fijar
 Пластина регулируемая направляющая ворот с длинной прикрепляемой полкой



CODE	ART.	Size	A	B	C	D	G	H	I	L	M	R	Box info	
													Pcs per pack	Kg
11305905 001	256-220	Ø30	70	175	40	Ø30	85	110	165	220	45	0-80	4	11,60
11305910 001	256-300	Ø40	80	230	58	Ø40	150	150	230	300	52	0-120	2	9,10

Finishing: Galvanized



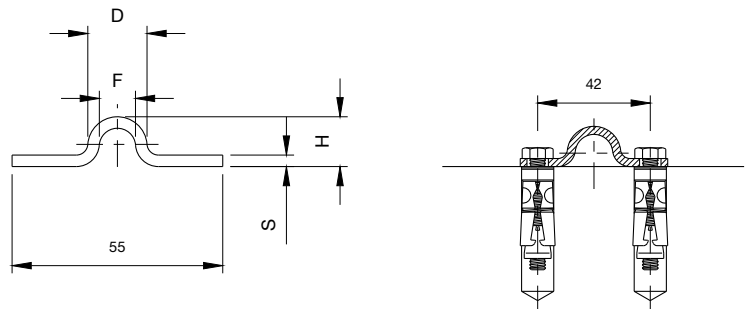
289

Track to be bolted "Rapido"
 Rail à visser "Rapido"
 Laufschiene zum Anschrauben "Rapido"
 Carril para fijar "Rápido"
 Рельсы прикрепляемые "Rapido"



CODE	ART.	D	F	L	H	S	Box info	
							Pcs per pack	Kg
10201505 001	289G-Ø19-Sp3	Ø19	Ø12	3000	16	3	25	123.00
10201510 001	289G-Ø19-Sp3	Ø19	Ø12	6000	16	3	25	246.00

Finishing: Galvanized



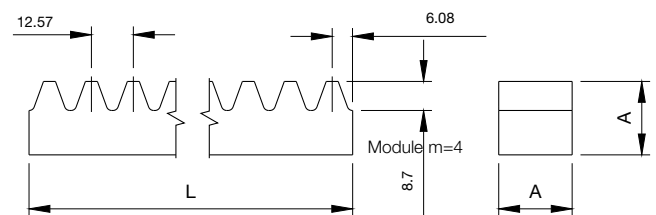
260

Square rack
 Crémaillère carrée
 Viereckige Zahnstange
 Cremallera cuadrada
 Зубчатая рейка квадратная



CODE	ART.	Size	A	L	Box info	
					Pcs per pack	Kg
11400505 001	260-22x22	L=1000	22	1000	1	3.10

Finishing: Galvanized

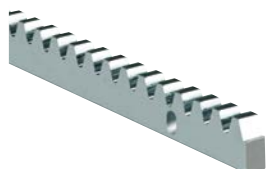


RANGER

Compatible accessories

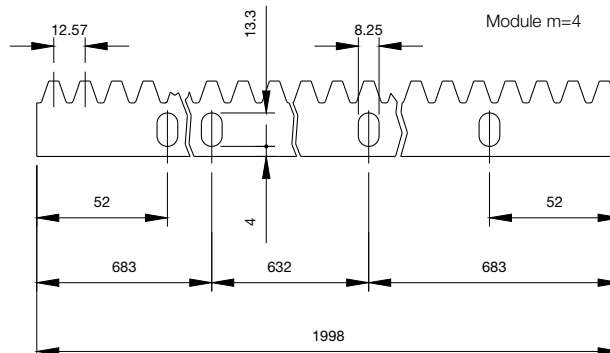
262

Rectangular rack 30x12 with holes
 Crémaillère rectangulaire 30x12 avec trous
 Rechteckige Zahnstange 30x12 mit Bohrungen
 Cremallera Rectangular 30x12 con agujeros
 Зубчатая рейка прямоугольная 30x12 с отверстиями



CODE	ART.	Size	L	Box info	
				Pcs per pack	Kg
11401005 001	262-30x12	L=1000	1000	1	2.40

Finishing: Galvanized



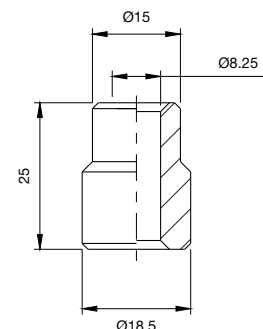
264

Support for rectangular rack to be welded
 Attache entretoise pour crémaillère rectangulaire
 Distanzstück für rechteckige Zahnstange zum Schweißen
 Fijación para soldar para cremallera rectangular
 Привариваемое соединение для прямоугольной зубчатой рейки



CODE	ART.	Box info	
		Pcs per pack	Kg
11401505 001	264	30	1.50

Finishing: Galvanized



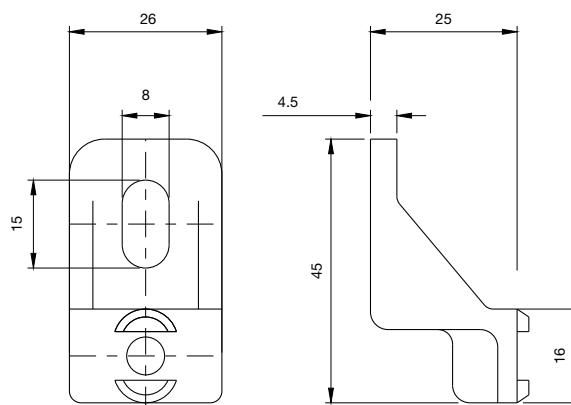
266

Alloy support for rectangular rack
 Attache entretoise en zamak pour crémaillère rectangulaire
 Zamak-Distanzstück für rechteckige Zahnstange
 Fijación de zamak para cremallera rectangular
 Соединение из сплава зама для прямоугольной зубчатой рейки



CODE	ART.	Box info	
		Pcs per pack	Kg
11402505 001	266	30	2.10

Finishing: Galvanized



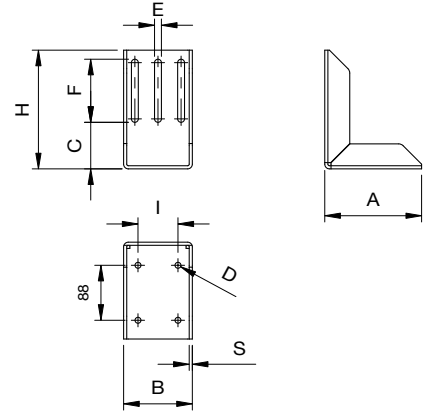
CG-15

Adjustable wall mounting angle racket for end cup
 Platine angulaire réglable fixation au mur pour butée
 Verstellbare Eckmuerhalterung für Auflegeschuh
 Placa angular regulable fijación a la pared para encuentro
 Угловой регулируемый кронштейн крепления к стене для упора



CODE	ART.	A	B	C	D	E	F	H	I	S	Box info	
											Pcs per pack	Kg
10708001 001	CG-15M	155	110	65	∅ 9.5	9	78	165	64	5	1	2.60
10708005 001	CG-15P	155	110	80	∅ 9.5	11	90	190	64	5	1	2.90

Finishing: Galvanized



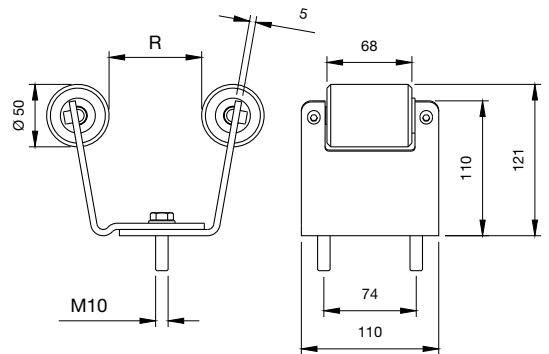
CG-30

Adjustable end cup to be fixed for gates
 Butée réglable à fixer pour portails
 Verstellbarer Auflegeschuh zum Aufschrauben für Tore
 Encuentro para puertas regulable para fijar
 Прикрепляемый упор для ворот регулируемый



CODE	ART.	Size	R	Box info	
				Pcs per pack	Kg
10707601 001	CG-30M	Mini	53-76	1	1.50
10707605 001	CG-30P	Piccolo	86-114	1	1.90
10707610 001	CG-30G	Grande	103-150	1	2.30

Finishing: Galvanized



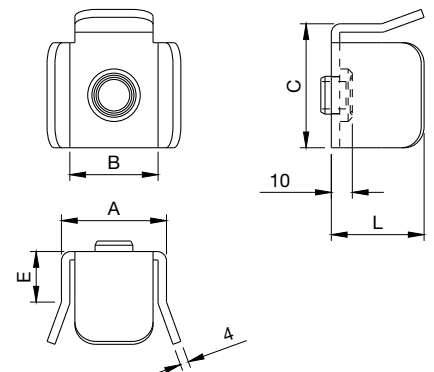
199

Upper end with shock absorber cup
 Butée supérieure avec bouchon amortisseur
 Oberer Auflegeschuh mit Schlusdämpfer
 Encuentro superior con tapón amortiguador
 Верхний упор с амортизирующим буфером



CODE	ART.	Size	A	B	C	E	L	Box info	
								Pcs per pack	Kg
10704705	199-50	Medio	60	52	69	30	50	6	2,3
10704710	199-60	Grande	70	62	79	35	60	6	3,0

Finishing: Raw



Compatible accessories

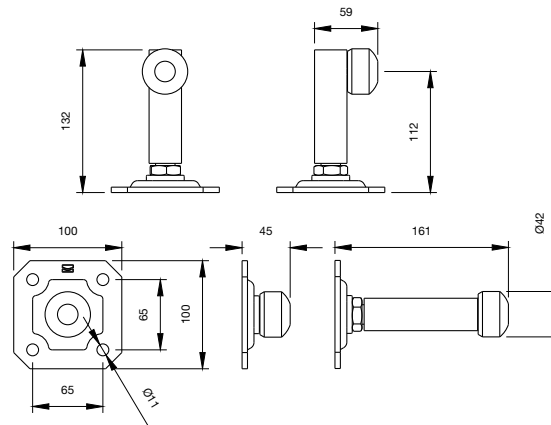
201

Strike plate to be fastened with triple function
 Butée à fixer triple fonction
 Auflaufschuh zur Befestigung mit dreifacher Funktion
 Tope "tris" para fijar triple función
 Упор "трис" прикрепляемый с тройной функцией



CODE	ART.	Box info	
		Pcs per pack	Kg
10701450 001	201	2	2,8

Finishing: Galvanized



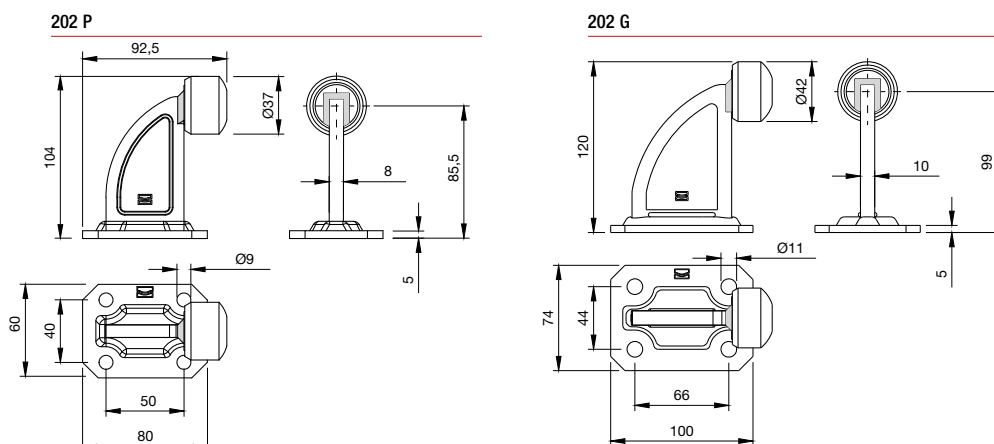
202 P - G

Runaway stop to be screwed
 Boutoir de fin de course avec base à visser
 Torendpuffer mit Befestigungsplatte zum Anschrauben
 Tope de final de carrera con base para fijar
 Стопор конца хода с прикрепляемым основанием



CODE	ART.	Box info	
		Pcs per pack	Kg
10701805 001	202 P	20	12,0
10701810 001	202 G	10	7,4

Finishing: Galvanized



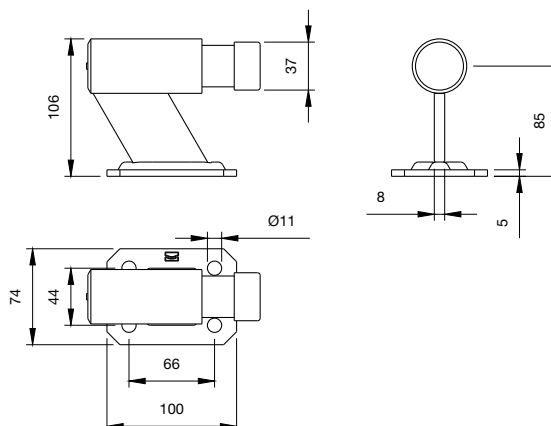
202F-A

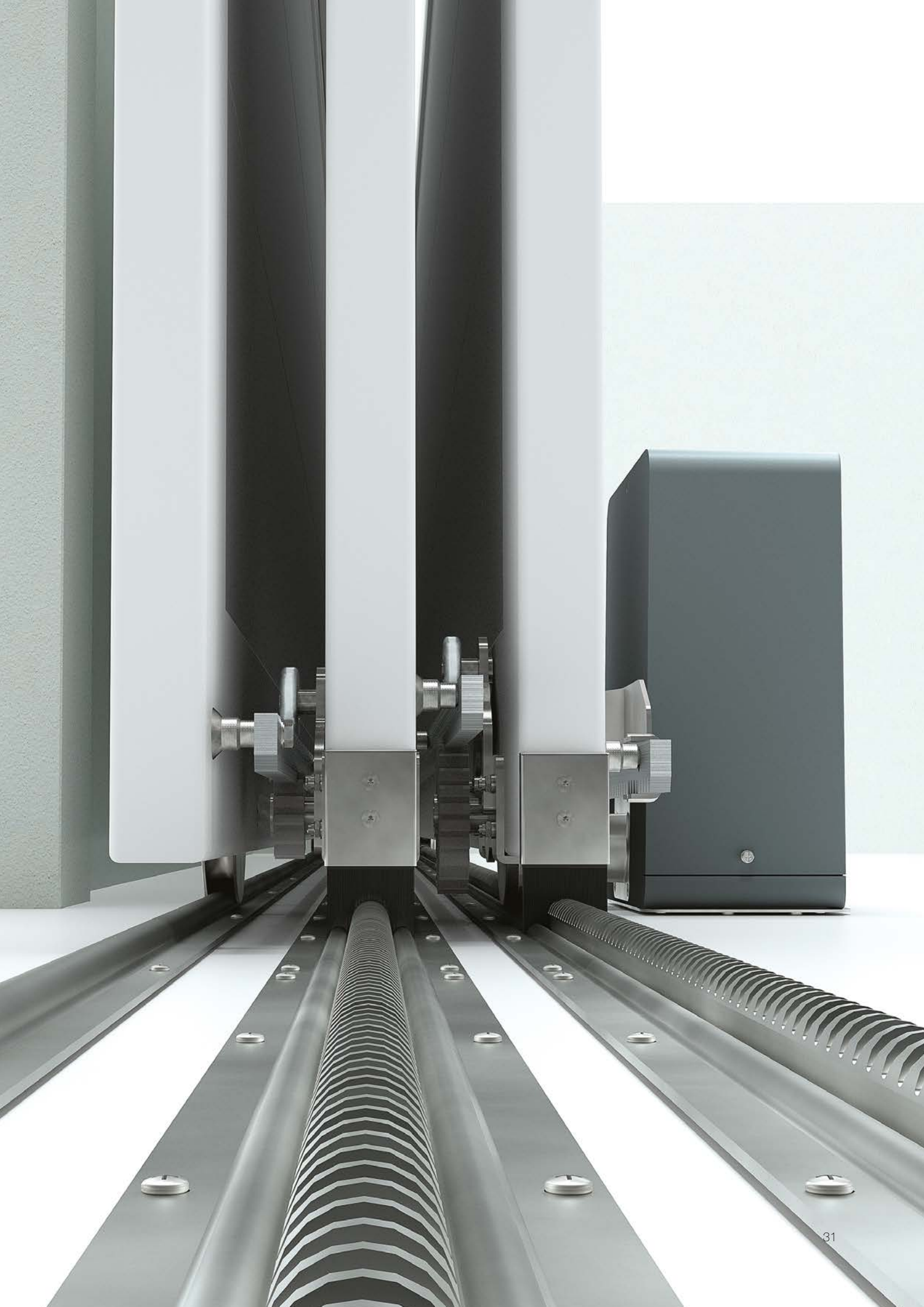
Damped runaway stop to be screwed
 Boutoir de fin de course amorti avec base à visser
 Torendpuffer mit Platte zum Anschrauben
 Tope de final de carrera amortiguado con base para fijar
 Амортизированный стопор конца хода с прикрепляемым основанием



CODE	ART.	Box info	
		Pcs per pack	Kg
10704201 001	202F-A	4	5,6

Finishing: Galvanized





Gate innovation made in Comunello

 **COMUNELLO GATE**

FRATELLI COMUNELLO S.P.A.

Via Cassola, 64 - C.P. 79

36027 Rosà, Vicenza, Italy

Tel. +39 0424 585111 Fax +39 0424 533417

info@comunello.it www.comunello.com