

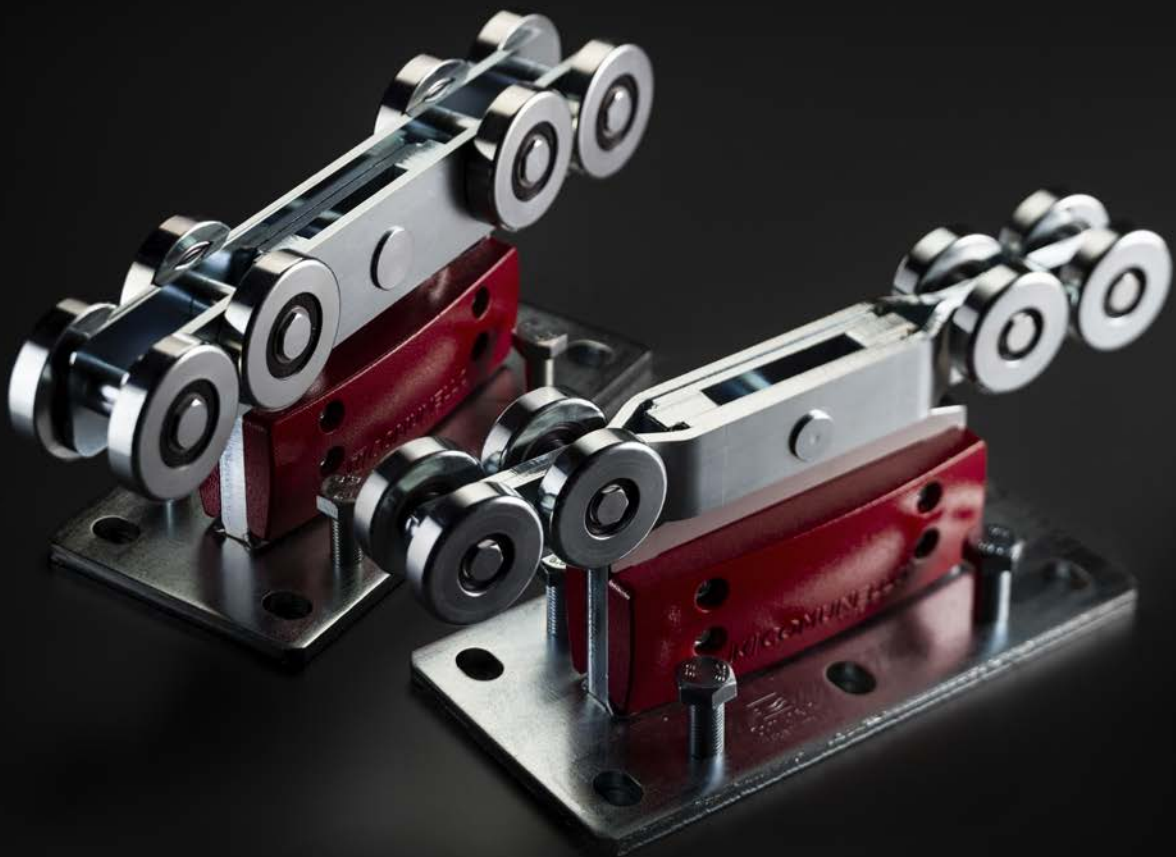


Integrator

Cantilever system with integrated transmission gears and protected internal rack.

Integrator

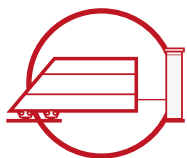
PATENT
PENDING





The all new cantilever system with integrated transmission gears and protected internal rack.

 **COMUNELLO****GATE**



Scan and discover more

Integrator: The new patented cantilever system with integrated transmission gears and protected internal rack.

- The pinion / rack coupling is completely protected inside the monorail housing, which guarantees **excellent protection** from ice blockage and atmospheric agents.
- Carriage with integrated pinion providing quick installation: simply **connect** the pinion to the sliding motor.
- Possibility to **adapt carriages** for use with actuators with different drive shafts, by using adapters.
- Suitable for temperatures ranging from -30° to 80° C.
- The monorails are manufactured from **high quality** steel profiles with a maximum thickness of 6 mm and are available in 3 and 6 m lengths in both galvanized and uncoated versions, depending on the different needs of the market and the installer.
- Protected moving parts for **clean aesthetics** and increased **safety** levels.



Racks



ART.

CG-50M

CG-50P

CG-50G

Monorail



ART.

CGS-345M

CGS-345P

CGS-345G

Templates



ART.

CG-55M

CG-55P

CG-55G

CG-10

End cup



ART.
CG-25M
CG-25P
CG-25G
CG-30M
CG-30P
CG-30G
CG-35P
CG-35G

Bottom end cup



ART.
CGS-346M
CGS-346P
CGS-346G

Guide plates



ART.
CG-251
252-200
247 F
255-220
255-350
256-300
250-220
251-220
251-300
232-30
232-40



Tension bar



ART.
CG-40

Carriages



ART.
CGS-500.8M
CGS-500.8P
CGS-500.8G

Adaptor



ART.
CG-58
CG-58 G

Foundation fixing



ART.
CG-05P
CG-05G
CG-348

End stopper for monorail



ART.	ART.
CGS-347M	CG-20G
CGS-347P	CG-21M
CGS-347G	CG-21P
CG-20M	CG-21G
CG-20P	

Wall bracket



ART.
CG-15M
CG-15P
CG-15G

INTEGRATOR

Life made easy

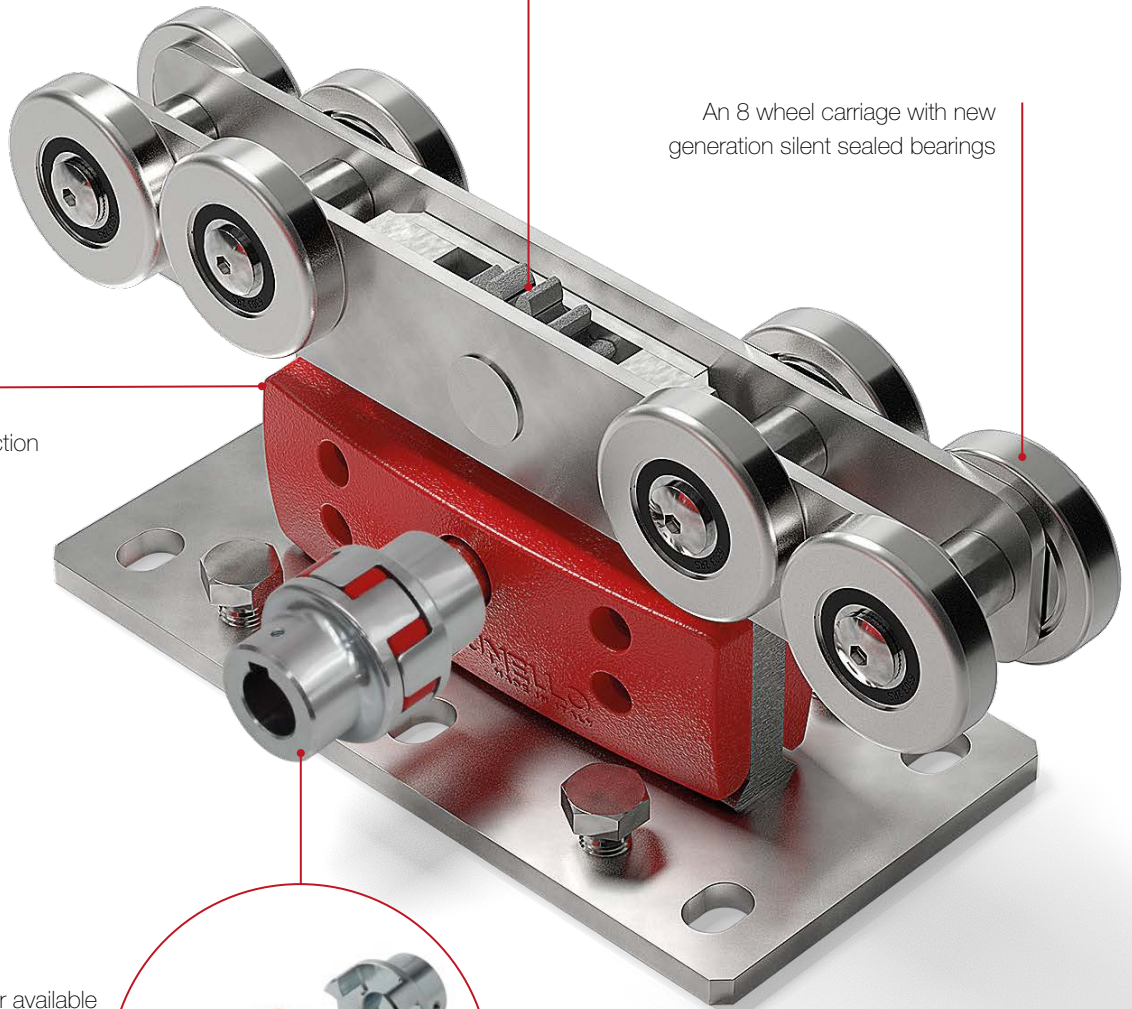
CGS-500.8P

Internally housed drive pinion connects directly to the rack integrated within the monorail

An 8 wheel carriage with new generation silent sealed bearings

Drive pinion casing provides complete protection

Drive shaft adapter available for any actuator



FEATURES

- Noiseless bearings of new generation shielded to protect against dust suitable for temperatures from -30° C to + 80° C
- Self-balancing
- 8 support wheels for each carriage
- Longitudinal alignment on 16 wheels
- Central rotation stiffened pin

Mini



Monorail **CGS-345M**
+ Integrator pre-drilled rack **CG-50M**



For cantilever gates up to
7 m / 500 kg
INTEGRATOR MINI
CGS-500.8M
ACTUATORS **FORT**
400 24V - 500 230V



Piccolo



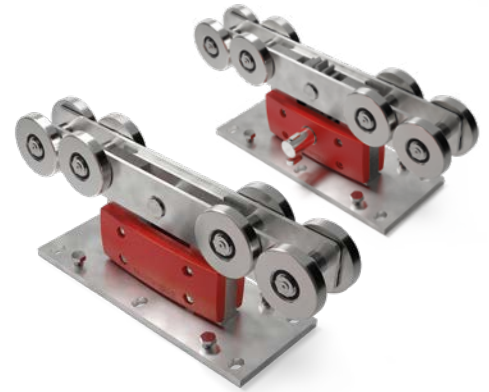
Monorail **CGS-345P**
+ Integrator pre-drilled rack **CG-50P**



For cantilever gates up to
8 m / 800 kg
INTEGRATOR PICCOLO
CGS-500.8P
ACTUATORS **FORT**
600/800/1000 24V
800/1000/1500 230V



Grande



Monorail **CGS-345G**
+ Integrator pre-drilled rack **CG-50G**



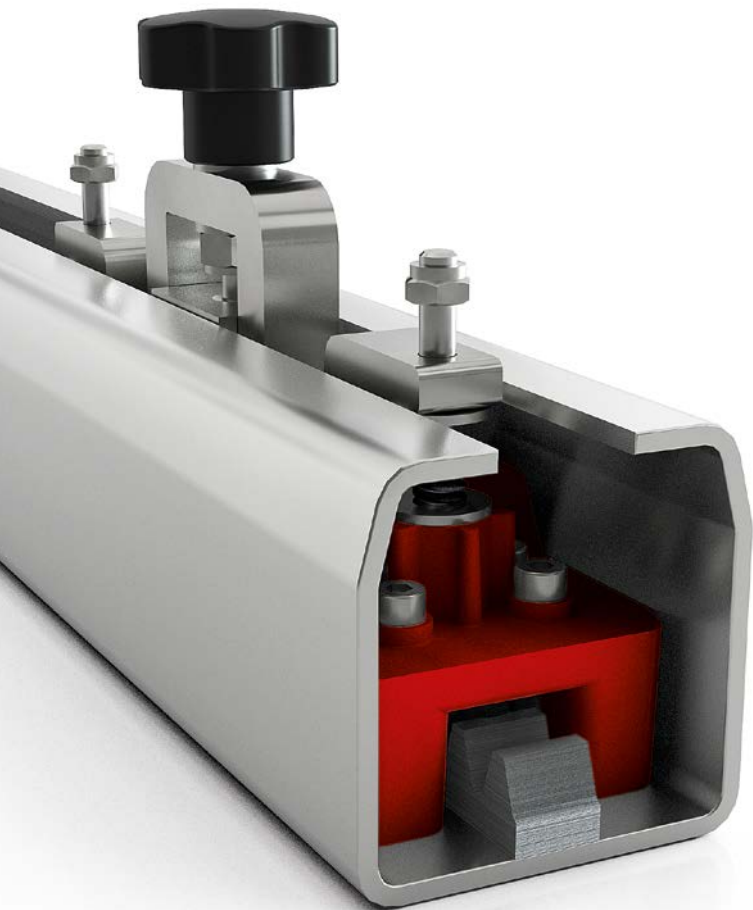
For cantilever gates up to
16 m / 1200 kg
INTEGRATOR GRANDE
CGS-500.8G
ACTUATORS **FORT**
2500 230V - 3500 380V



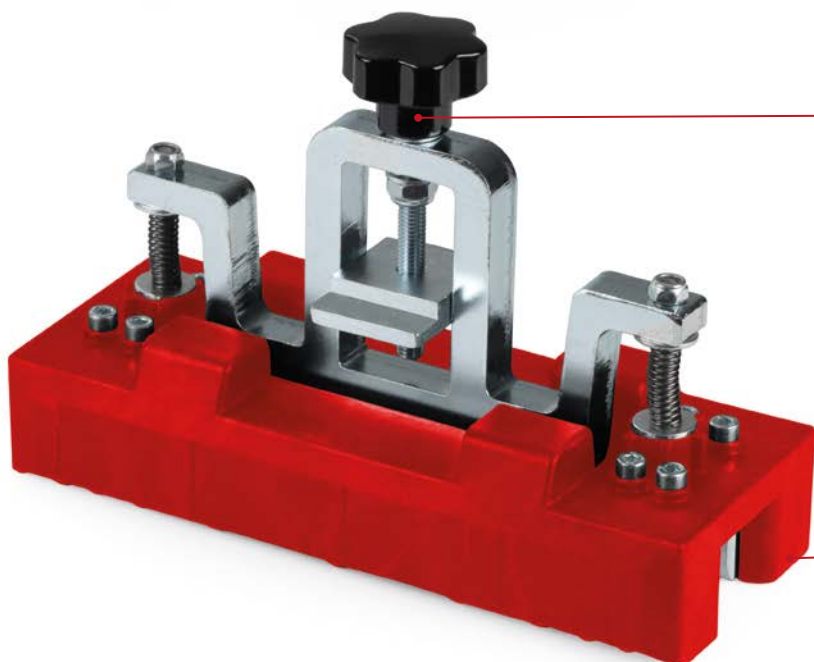
INTEGRATOR

Life made easy

The Integrator rack centering device

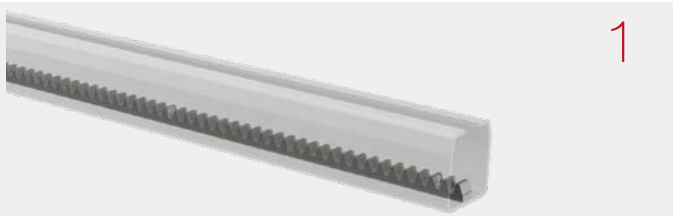


The Integrator centering guide quickly and simply centres the rack along its length by sliding in position inside the monorail. The central slot in the guide base holds the rack and the screw adjustment blocks everything in position so that the pre-drilled holes on the rack can be used as a guide for drilling into the monorail. When a second piece of rack is required just position the guide between the two pieces and tighten the blocking screw, this will perfectly align the teeth between the two racks.



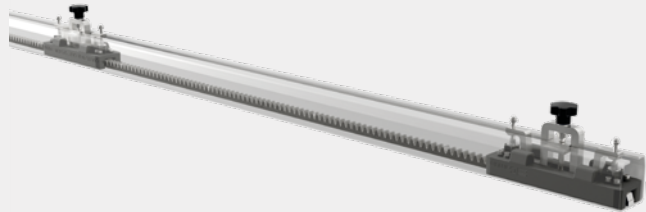
Tightening knob that applies clamping pressure to block the rack in position.

Centering guide with rack centering channel.



1

Position the first piece of track inside the monorail.

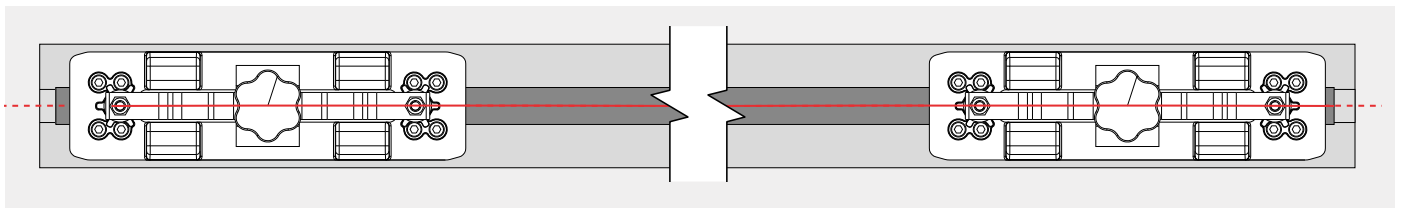


The 2 template guides, one positioned at each end of the track, will centre the track lengthways within the monorail.



2

Using the pre-drilled rack as a guide drill fixing holes in the monorail. Fix the rack to the monorail.

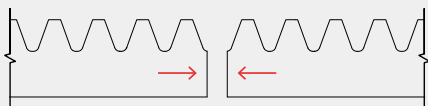


INTEGRATOR



3

Insert the second piece of rack



4

Position the template guide between the two pieces of rack and by tightening the template guide the rack teeth are registered correctly. Using the pre-drilled rack as a guide drill fixing holes in the monorail.



Watch the video for more information

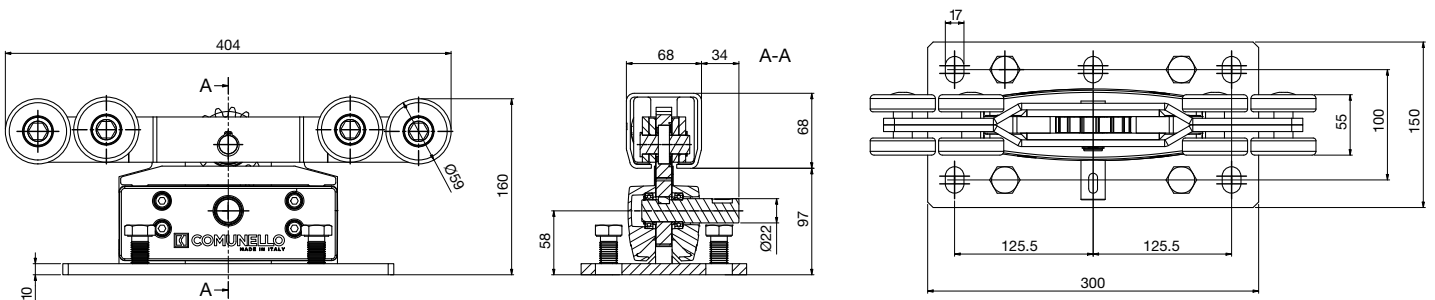
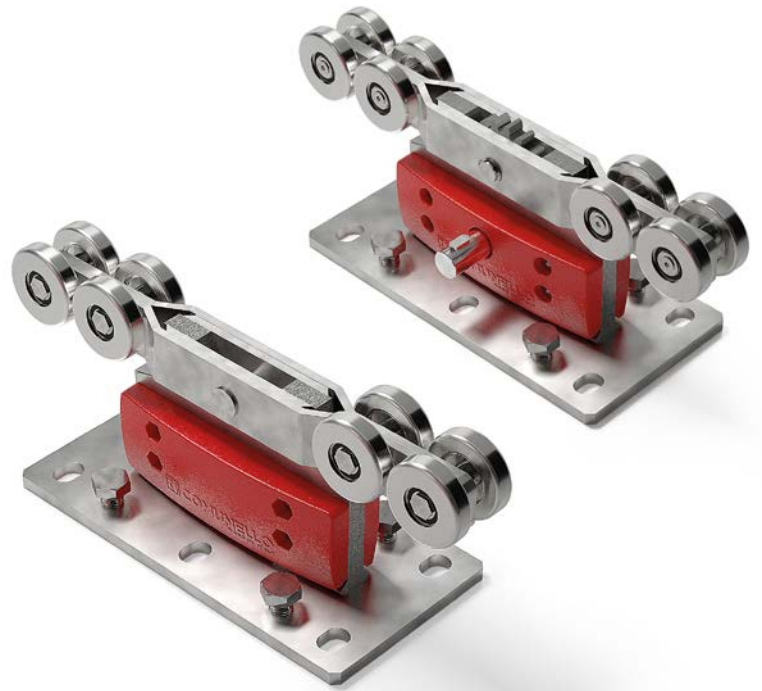
Life made easy

KIT Integrator

MINI

CGS-500.8 M

Integrator kit, Mini version - Master & Slave
 Kit système Integrator, version Mini - Master & Slave
 Kit Integrator, Mini Ausführung - Master & Slave
 Kit sistema Integrator, versión Mini - Master & Slave
 Комплект Integrator, версия Mini - Master & Slave

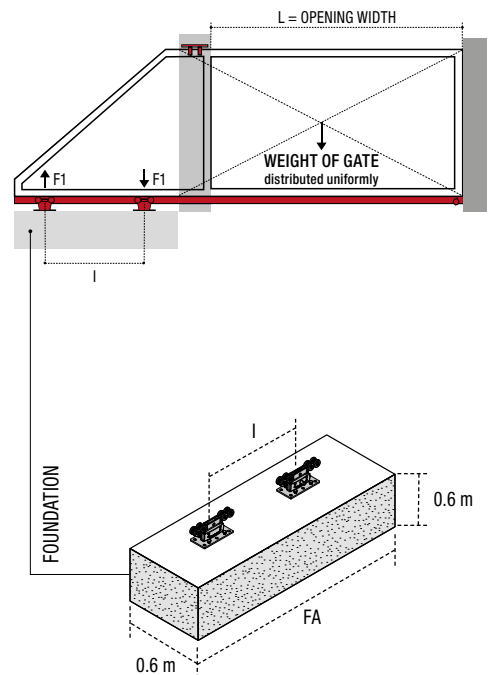


CODE	ART.	Size	Box info	
			Pcs per pack	Kg
10131500 001	CGS-500.8 M	Mini	1	21.5

Finishing: Galvanized

Minimum dimensions of the reinforced concrete casting

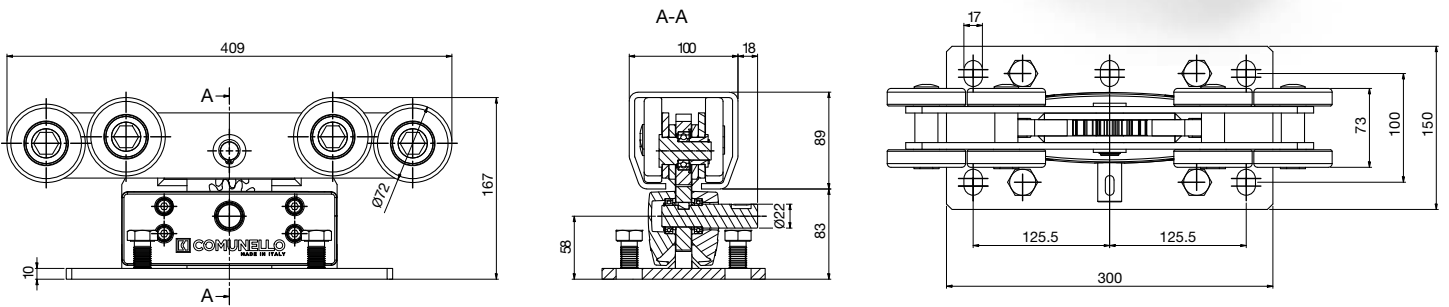
CGS-500.8M (F1max=1200 Kg)												
	L=2 m		L=3 m		L=4 m		L=5 m		L=6 m		L=7 m	
Weight (Kg)	FA (m)	I (m)	FA (m)	I (m)	FA (m)	I (m)	FA (m)	I (m)	FA (m)	I (m)	FA (m)	I (m)
100	1.2	0.5	1.5	0.8	1.7	1.0	2.0	1.3	2.2	1.5	2.5	1.8
150	1.2	0.5	1.5	0.8	1.7	1.0	2.0	1.3	2.2	1.5	2.5	1.8
200	1.2	0.5	1.5	0.8	1.7	1.0	2.0	1.3	2.2	1.5	2.5	1.8
250	1.2	0.5	1.5	0.8	1.7	1.0	2.0	1.3	2.2	1.5	2.5	1.8
300	1.2	0.5	1.5	0.8	1.7	1.0	2.0	1.3	2.2	1.5	2.5	1.8
350	1.3	0.6	1.5	0.8	1.7	1.0	2.0	1.3	2.3	1.6	2.6	1.9
400	1.4	0.7	1.7	1.0	2.0	1.3	2.3	1.6	2.6	1.9	2.9	2.2
450	1.5	0.8	1.8	1.1	2.2	1.5	2.6	1.9	3.0	2.3	3.4	2.7
500	1.7	1.0	2.1	1.4	2.5	1.8	2.9	2.2	3.4	2.7	3.9	3.2



KIT Integrator PICCOLO

CGS-500.8 P

Integrator kit, Piccolo version - Master & Slave
 Kit système Integrator, version Piccolo - Master & Slave
 Kit Integrator, Piccolo Ausführung - Master & Slave
 Kit sistema Integrator, versión pequeña - Master & Slave
 Комплект Integrator, версия Piccolo - Master & Slave



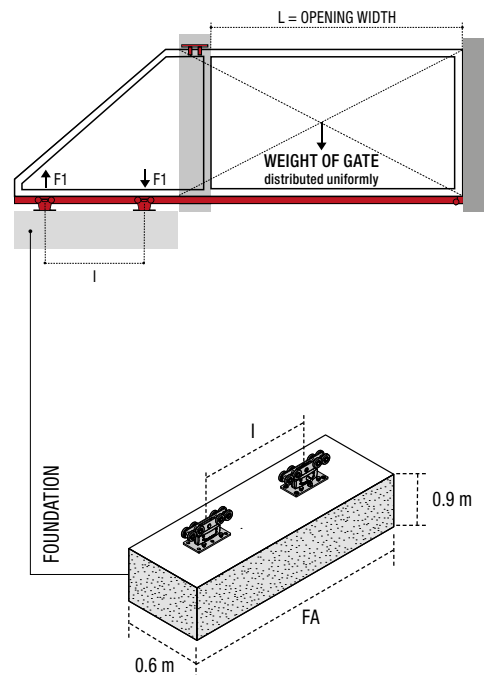
INTEGRATOR

CODE	ART.	Size	Box info	
			Pcs per pack	Kg
10131501 001	CGS-500.8P	Piccolo	1	26.5

Finishing: Galvanized

Minimum dimensions of the reinforced concrete casting

CGS-500.8P (F1max=2000 Kg)												
	L=3 m		L=4 m		L=5 m		L=6 m		L=7 m		L=8 m	
Weight (Kg)	FA (m)	I (m)	FA (m)	I (m)	FA (m)	I (m)	FA (m)	I (m)	FA (m)	I (m)	FA (m)	I (m)
100	1.5	0.8	1.7	1.0	2.0	1.3	2.2	1.5	2.5	1.8	2.7	2.0
150	1.5	0.8	1.7	1.0	2.0	1.3	2.2	1.5	2.5	1.8	2.7	2.0
200	1.5	0.8	1.7	1.0	2.0	1.3	2.2	1.5	2.5	1.8	2.7	2.0
250	1.5	0.8	1.7	1.0	2.0	1.3	2.2	1.5	2.5	1.8	2.7	2.0
300	1.5	0.8	1.7	1.0	2.0	1.3	2.2	1.5	2.5	1.8	2.7	2.0
350	1.5	0.8	1.7	1.0	2.0	1.3	2.2	1.5	2.5	1.8	2.7	2.0
400	1.5	0.8	1.7	1.0	2.0	1.3	2.2	1.5	2.5	1.8	2.7	2.0
450	1.5	0.8	1.7	1.0	2.0	1.3	2.2	1.5	2.5	1.8	2.7	2.0
500	1.5	0.8	1.7	1.0	2.0	1.3	2.2	1.5	2.5	1.8	2.7	2.0
550	1.5	0.8	1.7	1.0	2.0	1.3	2.2	1.5	2.5	1.8	2.8	2.1
600	1.6	0.9	1.8	1.1	2.1	1.4	2.4	1.7	2.7	2.0	3.0	2.3
650	1.7	1.0	2.0	1.3	2.3	1.6	2.6	1.9	3.0	2.3	3.3	2.6
700	1.8	1.1	2.1	1.4	2.5	1.8	2.8	2.1	3.2	2.5	3.6	2.9
750	1.9	1.2	2.3	1.6	2.7	2.0	3.1	2.4	3.5	2.8	3.9	3.2
800	2.0	1.3	2.4	1.7	2.9	2.2	3.3	2.6	3.8	3.1	4.3	3.6



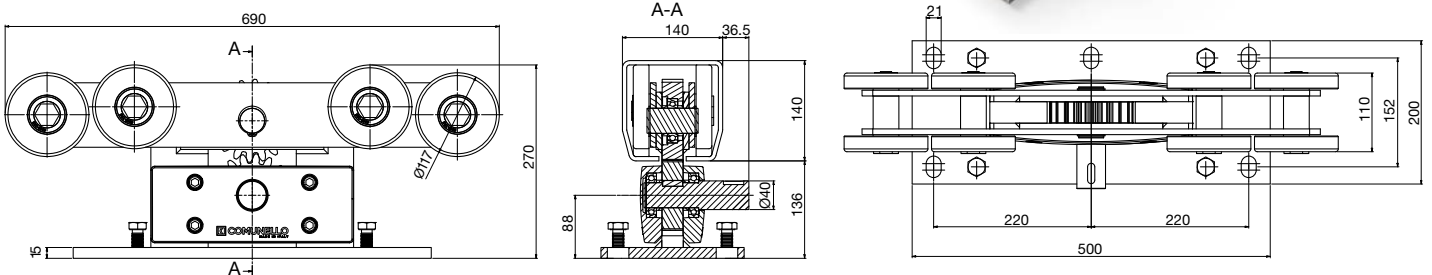
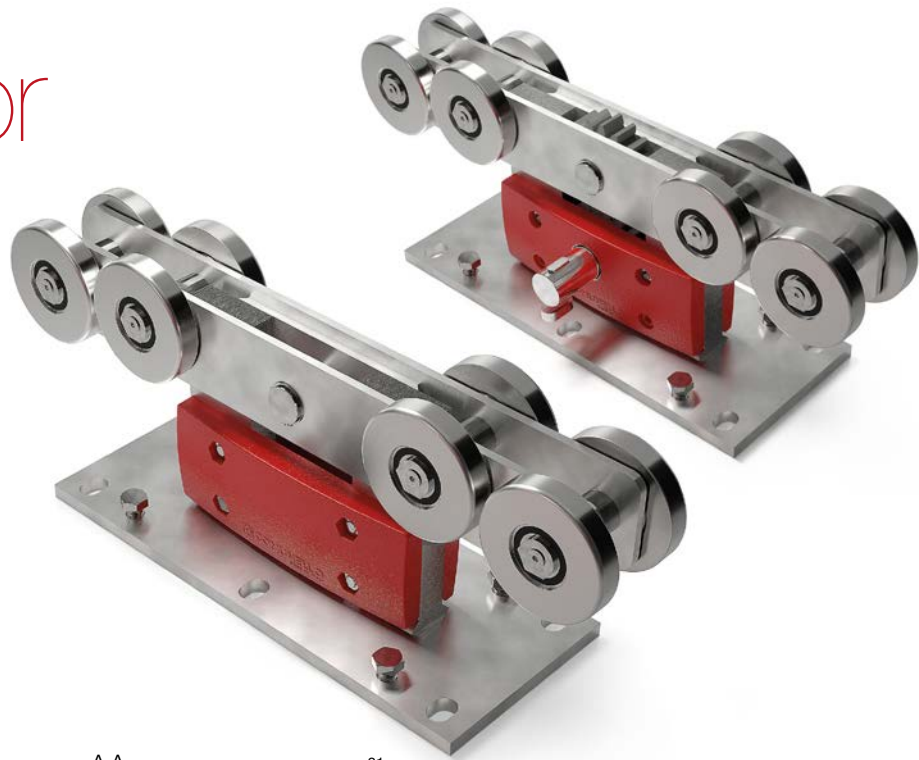
Life made easy

KIT Integrator

GRANDE

CGS-500.8 G

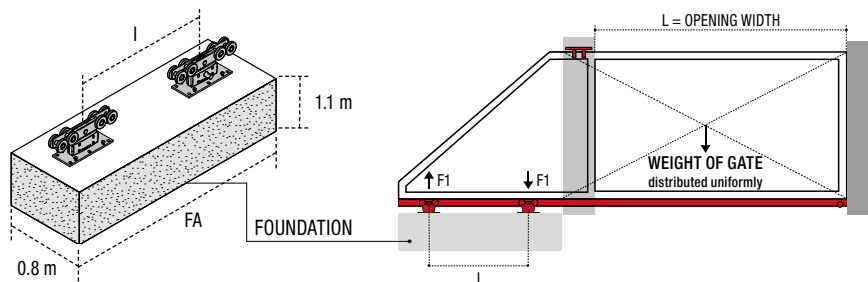
Integrator kit, Grande version - Master & Slave
 Kit système Integrator, version Grande- Master & Slave
 Kit Integrator, Grande Ausführung - Master & Slave
 Kit sistema Integrator, versión Grande - Master & Slave
 Комплект Integrator, версия Grande - Master & Slave



CODE	ART.	Size	Box info	
			Pcs per pack	Kg
10131502 001	CGS-500.8G	Grande	1	97

Finishing: Galvanized

Minimum dimensions of the reinforced concrete casting



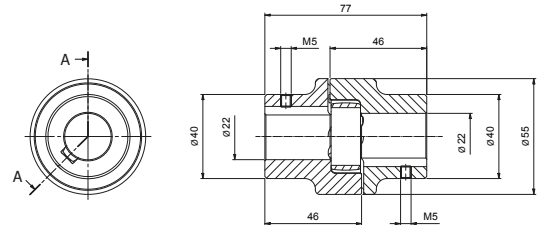
CGS-500.8G (F1max=4000 Kg)																		
Weight (Kg)	L=8 m		L=9 m		L=10 m		L=11 m		L=12 m		L=13 m		L=14 m		L=15 m		L=16 m	
	FA (m)	I (m)	FA (m)	I (m)	FA (m)	I (m)	FA (m)	I (m)	FA (m)	I (m)	FA (m)	I (m)	FA (m)	I (m)	FA (m)	I (m)	FA (m)	I (m)
500	2.9	2.0	3.2	2.3	3.4	2.5	3.7	2.8	3.9	3.0	4.2	3.3	4.4	3.5	4.7	3.8	4.9	4.0
550	2.9	2.0	3.2	2.3	3.4	2.5	3.7	2.8	3.9	3.0	4.2	3.3	4.4	3.5	4.7	3.8	4.9	4.0
600	2.9	2.0	3.2	2.3	3.4	2.5	3.7	2.8	3.9	3.0	4.2	3.3	4.4	3.5	4.7	3.8	4.9	4.0
650	2.9	2.0	3.2	2.3	3.4	2.5	3.7	2.8	3.9	3.0	4.2	3.3	4.4	3.5	4.7	3.8	4.9	4.0
700	2.9	2.0	3.2	2.3	3.4	2.5	3.7	2.8	3.9	3.0	4.2	3.3	4.4	3.5	4.7	3.8	4.9	4.0
750	2.9	2.0	3.2	2.3	3.4	2.5	3.7	2.8	3.9	3.0	4.2	3.3	4.4	3.5	4.7	3.8	4.9	4.0
800	2.9	2.0	3.2	2.3	3.4	2.5	3.7	2.8	3.9	3.0	4.2	3.3	4.4	3.5	4.7	3.8	4.9	4.0
850	2.9	2.0	3.2	2.3	3.4	2.5	3.7	2.8	3.9	3.0	4.2	3.3	4.4	3.5	4.7	3.8	4.9	4.0
900	2.9	2.0	3.2	2.3	3.4	2.5	3.7	2.8	3.9	3.0	4.2	3.3	4.4	3.5	4.7	3.8	4.9	4.0
950	2.9	2.0	3.2	2.3	3.4	2.5	3.7	2.8	3.9	3.0	4.2	3.3	4.4	3.5	4.7	3.8	5.1	4.2
1000	2.9	2.0	3.2	2.3	3.4	2.5	3.7	2.8	4.0	3.1	4.3	3.4	4.6	3.7	5.0	4.1	5.3	4.4
1050	2.9	2.0	3.2	2.3	3.5	2.6	3.8	2.9	4.1	3.2	4.5	3.6	4.8	3.9	5.2	4.3	5.6	4.7
1100	3.0	2.1	3.3	2.4	3.7	2.8	4.0	3.1	4.3	3.4	4.7	3.8	5.1	4.2	5.5	4.6	5.9	5.0
1150	3.2	2.3	3.5	2.6	3.8	2.9	4.2	3.3	4.5	3.6	4.9	4.0	5.3	4.4	5.7	4.8	6.2	5.3
1200	3.3	2.4	3.6	2.7	4.0	3.1	4.3	3.4	4.7	3.8	5.1	4.2	5.6	4.7	6.0	5.1	6.5	5.6

INTEGRATOR Accessories

CG-58

CODE	ART.	Size	Box info	
			Pcs per pack	Kg
10131600 001	CG-58	Mini / Piccolo	1	0.4

Automation adapter for Integrator kit, Mini and Piccolo version / Ranger
 Adaptateur d'automatisation pour kit de Integrator, version Mini et Piccolo / Ranger
 Automatisierung Adapter für Integrator Kits, Mini und Piccolo Ausführung / Ranger
 Adaptador de automatización para kit de integrador, versión Mini y pequeña / Ranger
 Автоматический адаптер для комплектов Integrator, версии Mini и Piccolo / Ranger

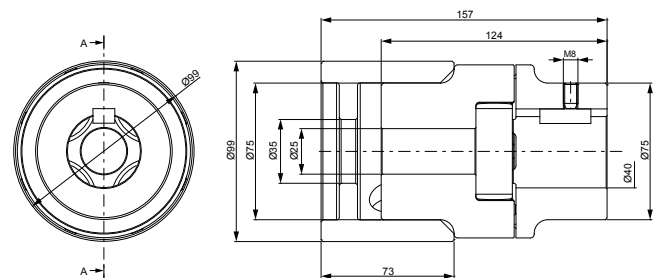


To automate the Mini and Piccolo Integrator system with Comunello actuators (Fort 400/500/600/800/1000/1500) see item "Electromechanical limit switch" AC-206 in the Comunello Automation division. On demand available adapters for any brand of actuator.

CG-58G

CODE	ART.	Size	Box info	
			Pcs per pack	Kg
10131601 001	CG-58G	Grande	1	2.7

Automation adapter for Integrator kit, Grande version
 Adaptateur d'automatisation pour kit de Integrator, version Grande / Ranger
 Automatisierung Adapter für Integrator Kits, Grande Ausführung / Ranger
 Adaptador de automatización para kit de integrador, versión Grande / Ranger
 Автоматический адаптер для комплектов Integrator, версия Grande / Ranger

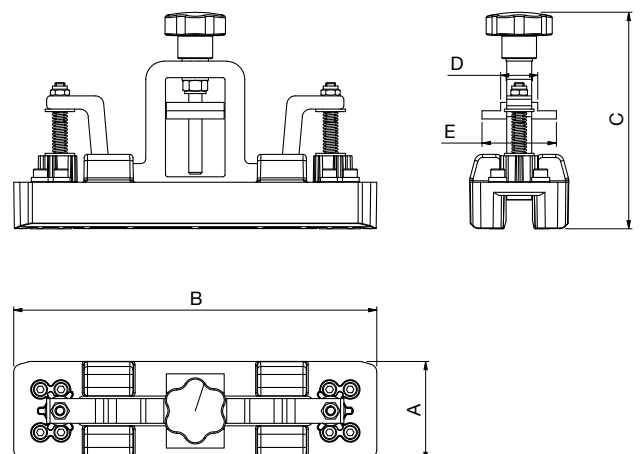


To automate the Grande Integrator system with Comunello actuators (Fort 2500/3500) see item "Electromechanical limit switch" AC-207 in the Comunello Automation division. On demand available adapters for any brand of actuator.

CG-55

CODE	ART.	Size	A	B	C	D	E	Box info	
								Pcs per pack	Kg
10131103 001	CG-55 M	Mini	60	220	120	23	45	pair / coppia	2.2
10131104 001	CG-55 P	Piccolo	89	220	138	32	55	pair / coppia	2.7
10131105 001	CG-55 G	Grande	127	220	231	38	55	pair / coppia	4.2

Rack centering device Kit for monorail
 Kit d'appareil centralisant pour monorail
 Zahnstange Befestigung Schablone
 Kit für Einschienenbahn
 Kit de dispositivo de centrado de cremallera para el monoriel
 Комплект шаблонов выравнивания рейки для монорельса версии



INTEGRATOR

Integrator Accessories

CG-50M

Rack kit M4 - 15 x 15 x 1500
with fixing screws

Kit de crémaillère M4 15 x 15 x 1500 avec vis de fixation

Zahnstange Kit M4 15 x 15 x 1500 mit Befestigungsschrauben

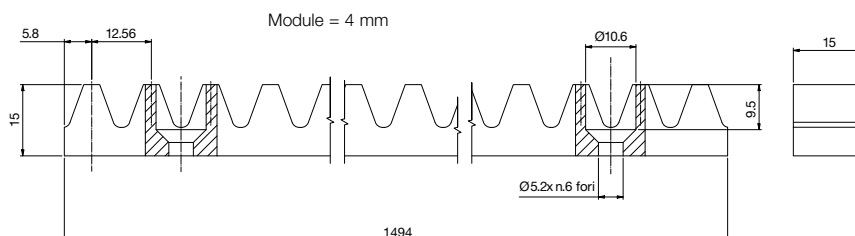
Kit cremallera M4 15 x 15 x 1500 con tornillos de fijación

Комплект зубчатой рейки M4 15 x 15 x 1500 с крепежными винтами



CODE	ART.	Size	Box info	
			Pcs per pack	Kg
11400410 001	CG-50 M	Mini	1	2

Finishing: Galvanized



CG-50P

Rack kit M4 22 x 22 x 1500
with fixing screws

Kit de crémaillère M4 22 x 22 x 1500 avec vis de fixation

Zahnstange Kit M4 22 x 22 x 1500 mit Befestigungsschrauben

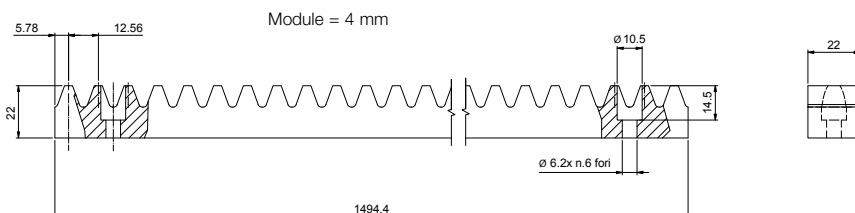
Kit cremallera M4 22 x 22 x 1500 con tornillos de fijación

Комплект зубчатой рейки M4 22 x 22 x 1500 с крепежными винтами



CODE	ART.	Size	Box info	
			Pcs per pack	Kg
11400411 001	CG-50 P	Piccolo	1	4.6

Finishing: Galvanized



CG-50G

Rack kit M6 - 30 x 30 x 1000
with fixing screws

Kit de crémaillère M6 30 x 30 x 1000 avec vis de fixation

Zahnstange Kit M6 30 x 30 x 1000 mit Befestigungsschrauben

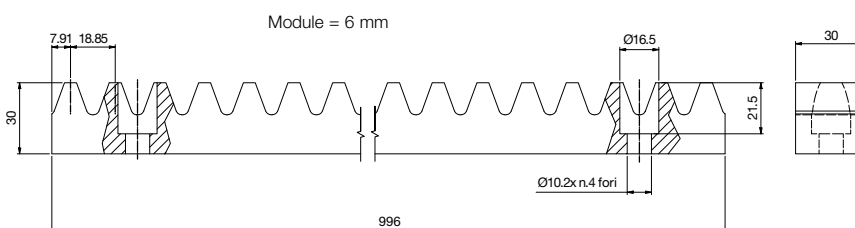
Kit cremallera M6 30 x 30 x 1000 con tornillos de fijación

Комплект зубчатой рейки M6 30 x 30 x 1000 с крепежными винтами



CODE	ART.	Size	Box info	
			Pcs per pack	Kg
11400412 001	CG-50G	Grande	1	5.6

Finishing: Galvanized



Compatible Cantilever Accessories

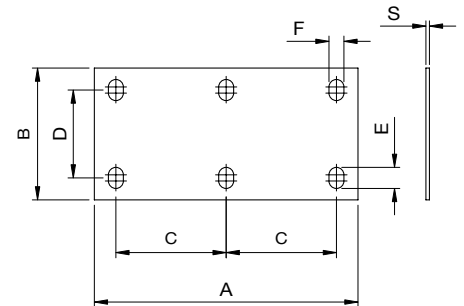
CG-05

Counter plate for carriages-small and large
 Contre-plaque pour chariots - petit e grand
 Gegenplatte für Laufwagen gross und klein
 Contraplaca para carros pequeño y grande
 Контрплита для больших и малых тележек



CODE	ART.	Size	A	B	C	D	E	F	S	Box info	
										Pcs per pack	Kg
10131005 001	CG-05P	Piccolo	300	150	125.5	100	24	17	4	2	2.70
10131010 001	CG-05G	Grande	500	200	220	152	30	21	4	2	6.00

Finishing: Galvanized



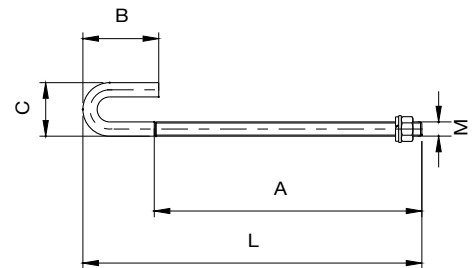
CG-348

Threaded foundation tie rods
 CGS 350 e CGS 350.8
 Tirant fileté pour chariots CGS 350 et CGS 350.8
 Gewindestange für Laufwagen CGS 350 und CGS 350.8
 Anclaje roscado para carros CGS 350 y CGS 350.8
 Резьбовое анкерное крепление для тележек CGS 350 и CGS 350.8



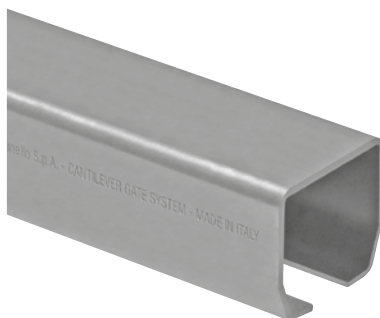
CODE	ART.	Size	A	B	C	L	M	Box info	
								Pcs per pack	Kg
10130505 001	CG-348	M16	300	85	60	380	M16	12	8.40
10130510 001	CG-348	M20	300	85	70	385	M20	12	13.10

Finishing: Galvanized

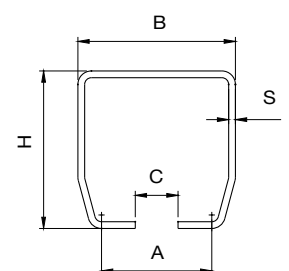


CGS-345

Monorail for cantilever gates
 Rails pour portails autoportants
 Einfachschiene für selbsttragende Tore
 Monocarril para puertas autoportantes
 Моновельс для самонесущих ворот



CODE	ART.	Size	Finishing	A	B	C	H	S	L	Box info	
										Pcs per pack	Kg
10207001	CGS-345M	Mini	Raw	48	68	23	68	3.5	3000	1	18.25
10207002	CGS-345M	Mini	Raw	48	68	23	68	3.5	6000	1	36.50
10207005	CGS-345P	Piccolo	Raw	66.5	100	33	89	5	3000	1	35
10207007	CGS-345P	Piccolo	Raw	66.5	100	33	89	5	6000	1	70
10207020	CGS-345G	Grande	Raw	98	140	38	140	6	3000	1	67
10207022	CGS-345G	Grande	Raw	98	140	38	140	6	6000	1	134
10207001 001	CGS-345M	Mini	Zinc	48	68	23	68	3.5	3000	1	18.25
10207002 001	CGS-345M	Mini	Zinc	48	68	23	68	3.5	6000	1	36.50
10207005 001	CGS-345P	Piccolo	Zinc	66.5	100	33	89	5	3000	1	35
10207007 001	CGS-345P	Piccolo	Zinc	66.5	100	33	89	5	6000	1	70
10207020 001	CGS-345G	Grande	Zinc	98	140	38	140	6	3000	1	67
10207022 001	CGS-345G	Grande	Zinc	98	140	38	140	6	6000	1	134



Compatible Cantilever Accessories

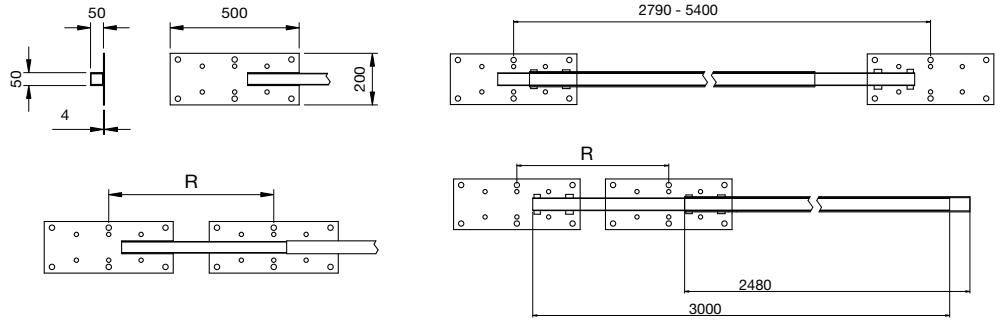
CG-10

Alignment tie rods template and fixture of the carriages
 Calibre d'alignement des tirants et fixation chariots
 Lehre für die Aufreihung der Gewindestangen und für die Laufwagenbefestigung
 Plantilla de alineación anclajes y fijación carros
 Шаблон выравнивания с анкерным креплением и креплением для тележек



CODE	ART.	R	Box info	
			Pcs per pack	Kg
10131100 001	CG-10	500 ± 5400	1	20.00

Finishing: Galvanized



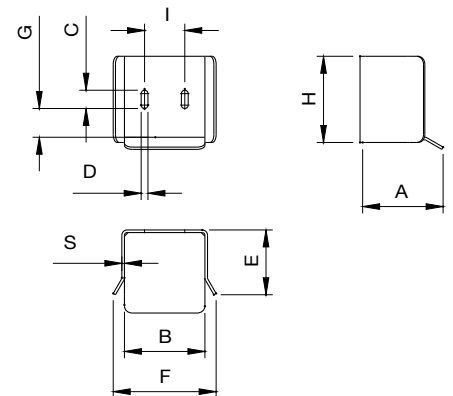
CGS-346

Bottom end cup to be fixed
 Butée inférieure à fixer
 Unterauflageschuh zum Aufschrauben
 Encuentro inferior para fijar
 Прикрепляемый нижний упор



CODE	ART.	A	B	C	D	E	F	G	H	I	S	Box info	
												Pcs per pack	Kg
10705501 001	CGS-346M	104	78	25	9	75	114	25	91	38	4	2	2.30
10705505 001	CGS-346P	119	112	30	11	84	154	33	112	50	4	2	3.60
10705510 001	CGS-346G	159	154	35	13	120	197	55	165	77	5	2	7.60

Finishing: Galvanized



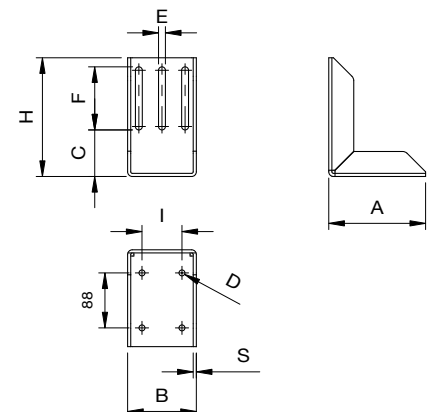
CG-15

Adjustable wall mounting angle racket for end cup
 Platine angulaire réglable fixation au mur pour butée
 Verstellbare Eckmuerhalterung für Auflageschuh
 Placa angular regulable fijación a la pared para encuentro
 Угловой регулируемый кронштейн крепления к стене для упора



CODE	ART.	A	B	C	D	E	F	H	I	S	Box info	
											Pcs per pack	Kg
10708001 001	CG-15M	155	110	65	∅ 9.5	9	78	165	64	5	1	2.60
10708005 001	CG-15P	155	110	80	∅ 9.5	11	90	190	64	5	1	2.90
10708010 001	CG-15G	155	120	82	∅ 13	13	117	220	70	5	1	3.30

Finishing: Galvanized



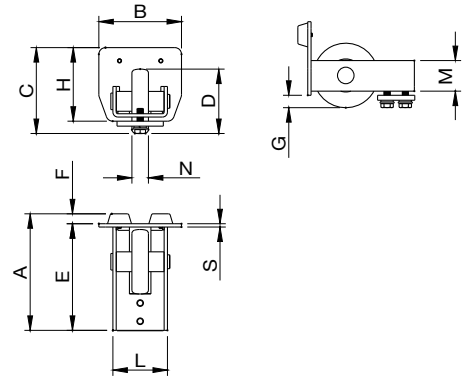
CGS-347

End wheel for monorail
 Galet d'extrémité pour rail
 Endrad für Einfachschiene
 Rueda terminal para monocarril
 Концевое колесо монорельса



CODE	ART.	A	B	C	D	E	F	G	H	L	M	N	S	Box info	
														Pcs per pack	Kg
10705001 001	CGS-347M	135	68	82.5	∅ 68	123	12	14.5	68	45	32	15	4	2	2.00
10705005 001	CGS-347P	141	100	104	∅ 78	129	12	15	89	66	37	20	4	2	3.40
10705010 001	CGS-347G	195	140	155	∅ 98	170	24.5	15	140	95	56	30	5	2	8.30

Finishing: Galvanized



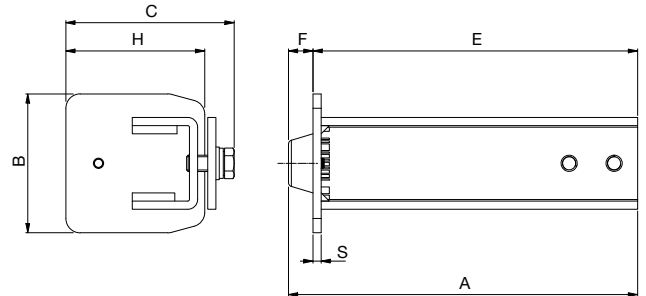
CG-20

End stopper without wheel for monorail
 Embout d'extrémité sans galet pour rail
 Endpfropfen für Einfachschiene ohne Rad
 Terminal sin rueda para monocarril
 Наконечник без колеса для монорельса



CODE	ART.	Size	A	B	C	E	F	H	S	Box info	
										Pcs per pack	Kg
10707101 001	CG-20M	Mini	68	68	78	155	12	68	4	2	1.20
10707105 001	CG-20P	Piccolo	100	100	105	155	12	89	4	2	1.80
10707110 001	CG-20G	Grande	140	140	155	165	24.5	140	5	2	3.90

Finishing: Galvanized



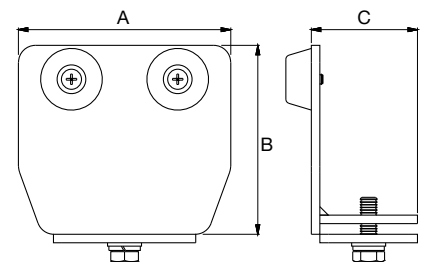
CG-21

End stopper without wheel for monorail
 Embout d'extrémité sans galet pour rail
 Endpfropfen für Einfachschiene ohne Rad
 Terminal sin rueda para monocarril
 Наконечник без колеса для монорельса



CODE	ART.	Size	A	B	C	Box info	
						Pcs per pack	Kg
10707115 001	CG-21M	Mini	68	68	49	4	1.30
10707120 001	CG-21P	Piccolo	100	89	50	4	1.70
10707125 001	CG-21G	Grande	140	140	53	4	4.90

Finishing: Galvanized



INTEGRATOR

Compatible Cantilever Accessories

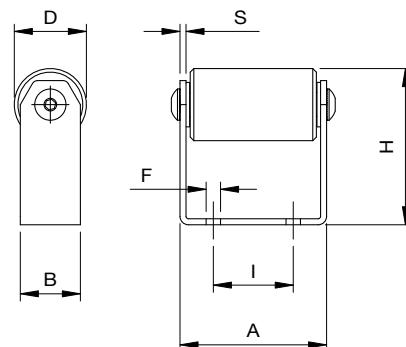
CG-25

Lower end cup with nylon roller
 Butée inférieure avec rouleau en nylon
 Unterauflageschuh mit Nylonrolle
 Encuentro inferior con rodillo de nylon
 Нижний упор с нейлоновый ролик



CODE	ART.	Size	A	B	D	F	H	I	S	Box info	
										Pcs per pack	Kg
10707501 001	CG-25M	Mini	80	40	∅ 50	8.5	115	45	5	2	1.30
10707505 001	CG-25P	Piccolo	122	50	∅ 60	11	130	75	5	2	2.60
10707510 001	CG-25G	Grande	161	60	∅ 80	13	140	90	6	2	5.00

Finishing: Galvanized



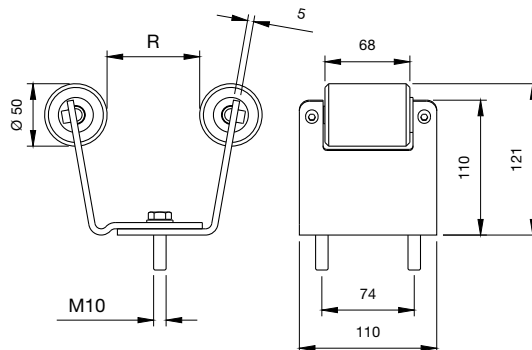
CG-30

Adjustable end cup to be fixed for gates
 Butée réglable à fixer pour portails
 Verstellbarer Auflageschuh zum Aufschrauben für Tore
 Encuentro para puertas regulable para fijar
 Прикрепляемый упор для ворот регулируемый



CODE	ART.	Size	R	Box info	
				Pcs per pack	Kg
10707601 001	CG-30M	Mini	53-76	1	1.50
10707605 001	CG-30P	Piccolo	86-114	1	1.90
10707610 001	CG-30G	Grande	103-150	1	2.30

Finishing: Galvanized



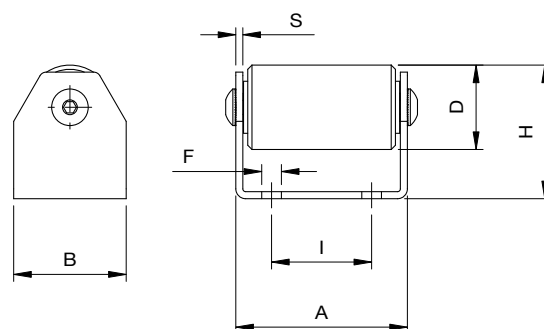
CG-35

Intermediate support with nylon roller
 Support intermédiaire de soutien avec rouleau en nylon
 Mittlerer Stütze für selbsttragende Tore
 Soporte intermedio de sostén con rodillo de nylon
 Промежуточная опора с нейлоновым ролик



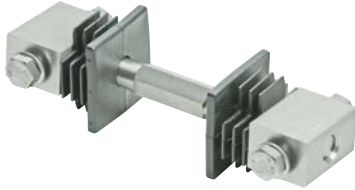
CODE	ART.	A	B	D	F	H	I	S	Box info	
									Pcs per pack	Kg
10707705 001	CG-35P	122	80	∅ 60	17	95	70	5	1	1.40
10707710 001	CG-35G	161	100	∅ 80	21	120	90	6	1	3.10

Finishing: Galvanized



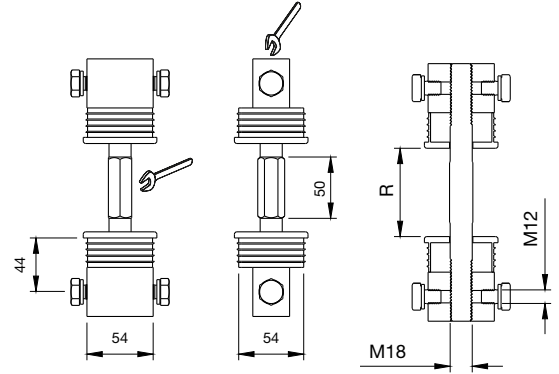
CG-40

Tension bar for gate regulation
 Tirants pour réglage portails
 Ankerbolzen zur Torregulierung
 Tensores de acero galvanizado para regulaciones puertas
 Тяга из оцинкованной стали для регулирования ворот



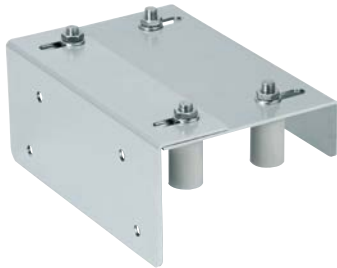
CODE	ART.	R		Box info	
				Pcs per pack	Kg
10131400 001	CG-40	50-100	19	1	1.30

Finishing: Galvanized



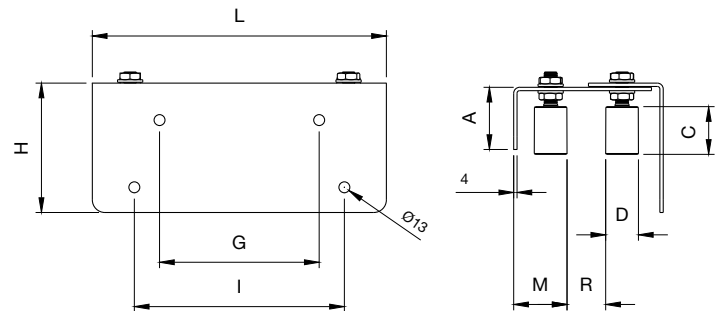
CG-251

Adjustable gate guide plate to be fixed with long wing
 Plaque guide portail réglable à fixer avec aile longue
 Verstellbare Torführungsplatte mit langem Flügel zum Aufschrauben
 Placa de guía de la puerta regulable con ala larga para fijar
 Пластина регулируемая направляющая ворот с длинной прикрепляемой полкой



CODE	ART.	A	C	D	G	H	I	L	M	R	Box info	
											Pcs per pack	Kg
11310005 001	CG-251	74	58	Ø40	190	154	230	350	44-88	70-110	1	6.70

Finishing: Galvanized



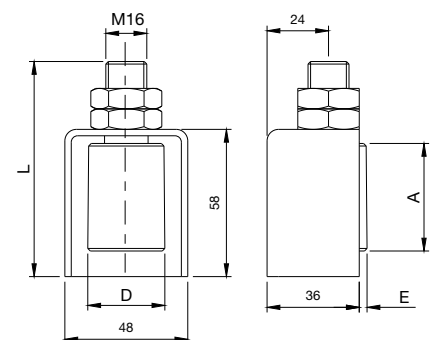
232

Nylon roller with accident prevention
 Rouleau en nylon pour la prévention des accidents
 Nylon-Führungsrolle für die Unfallverhütung
 Rodillo de nylon con protección
 Нейлоновый наконечник с защитой от несчастных случаев



CODE	ART.	A	B	D	I	H	Box info	
							Pcs per pack	Kg
11302210 001	232-30	40	Ø30	3	84	24	20	4.40
11302215 001	232-40	58	Ø39	7.5	98	24	20	5.90

Finishing: Galvanized



Compatible Cantilever Accessories

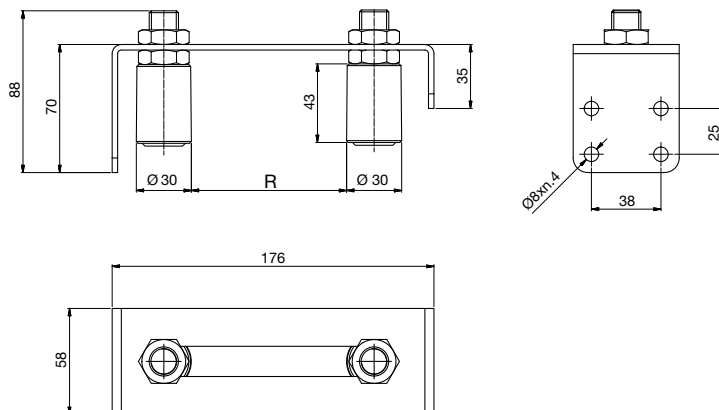
247F

Small drive-gate plate
 Petite platine guide-portail
 Kleiner Führungsbügel
 Placa pequeña de guía de la puerta
 Пластина мининаправляющая ворот



CODE	ART.	R	Box info	
			Pcs per pack	Kg
11305008 001	247 F	0-85	20	9.40

Finishing: Galvanized



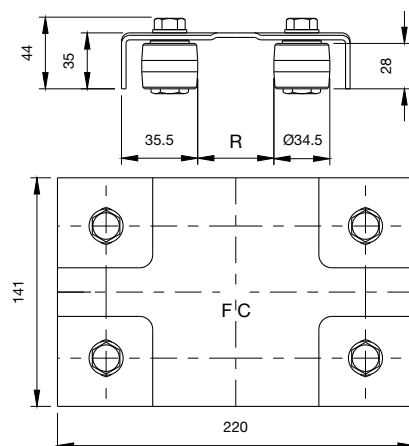
250

Drive-gate adjustable plate
 Platine guide-portail réglable
 Verstellbarer Torführungsbügel
 Placa de guía de la puerta regulable
 Пластина регулируемая направляющая ворот



CODE	ART.	R	Box info	
			Pcs per pack	Kg
11305505 001	250-220	30-60	10	12.5

Finishing: Galvanized



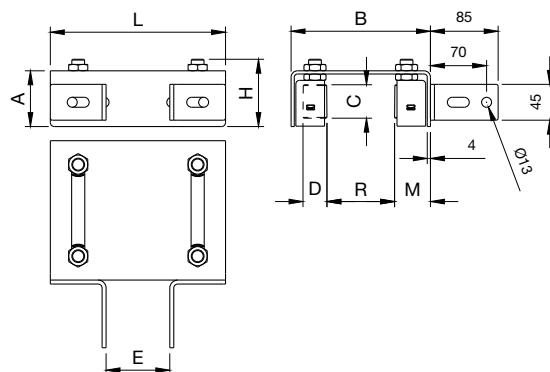
251

Adjustable drive-gate plate with angle-brackets.
 Platine guide-portail réglable avec plaques d'angle
 Verstellbarer Torführungsbügel mit Eckhalterungen
 Placa de guía de la puerta regulable con estribos de fijación
 Пластина регулируемая направляющая ворот с угловыми скобами



CODE	ART.	Size	A	B	C	D	E	H	L	M	R	Box info	
												Pcs per pack	Kg
11305805 001	251-220	Ø30	70	175	40	Ø30	80-120	85	220	45	0-80	4	10.80
11305810 001	251-300	Ø40	80	230	58	Ø40	80-120	102	300	52	0-120	2	7.50

Finishing: Galvanized



252

Double adjustment plate to be screwed for gates with 2 columns

Platine double réglage à visser pour portails avec 2 colonnes

Platte zum Anschrauben mit Doppelverstellung für Tore mit zwei Pfeiler

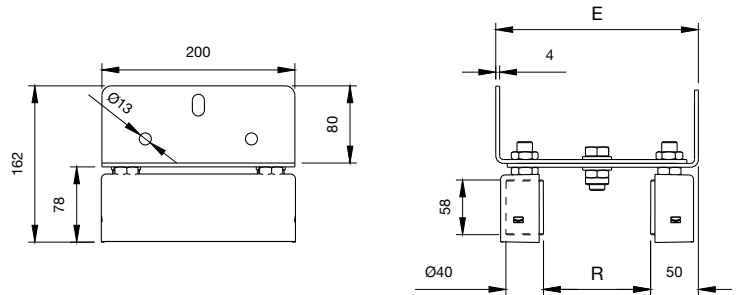
Placa doble regulación para fijar para puertas con dos columnas

Прикрепляемая пластина с двойным регулированием для ворот с двумя стойками



CODE	ART.	Size	E	R	Box info	
					Pcs per pack	Kg
11306205 001	252-200	Ø 40	210-360	0-300	1	4.1

Finishing: Galvanized



255

Guiding plate for gates with double adjustment doppia regolazione

Platine guide-portail à double réglage

Torführungsbügel mit Doppelverstellung

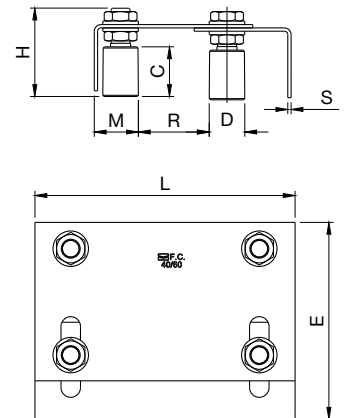
Placa de guía de la puerta de doble regulación

Пластина направляющая ворот с двойным регулированием



CODE	ART.	Size	C	D	E	H	L	M	R	S	Box info	
											Pcs per pack	Kg
11306005 001	255-220	Ø30	40	Ø30	135-175	74	220	38	35-62	3	10	22.70
11306010 001	255-350	Ø40	58	Ø39	176-222	98	350	47	62-85	4	5	27.90

Finishing: Galvanized



256

Adjustable guiding plate for gates with long wing to be screwed

Platine guide-portail réglable avec aile longue à visser

Verstellbarer Torführungsbügel mit langem Flügel zum Anschrauben

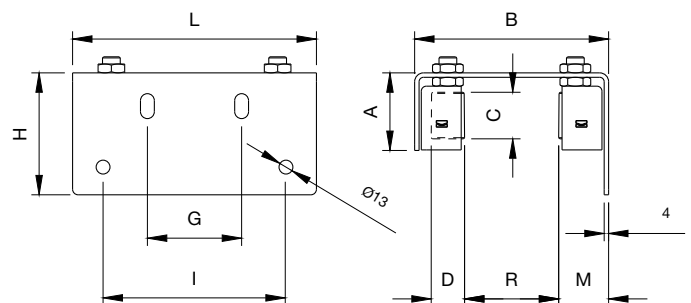
Placa de guía de la puerta regulable con ala larga para fijar

Пластина регулируемая направляющая ворот с длинной прикрепляемой полкой



CODE	ART.	Size	A	B	C	D	G	H	I	L	M	R	Box info	
													Pcs per pack	Kg
11305910 001	256-300	Ø40	80	230	58	Ø40	150	150	230	300	52	0-120	2	9.10

Finishing: Galvanized



Gate innovation made in Comunello

 **COMUNELLO GATE**

FRATELLI COMUNELLO S.P.A.

Via Cassola, 64 - C.P. 79

36027 Rosà, Vicenza, Italy

Tel. +39 0424 585111 Fax +39 0424 533417

info@comunello.it www.comunello.com