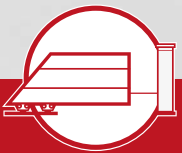


 **COMUNELLO****GATE**



# Bullet

Mono-carriage for cantilever gate.

# Bullet

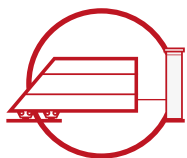
PATENT  
PENDING





Taking cantilever gates to new levels of simplicity, these innovative mono carriages are the easiest and fastest to install ever.

 **COMUNELLO****GATE**



Scan and discover more

# The Bullet mono-carriage cantilever system

PATENT  
PENDING

## End cup



ART.

CG-25M



CG-25P

CG-30M



CG-30P

CG-35P

## Bottom end cup



ART.

CGS-346M

CGS-346P

## Spacers for rack



ART.

263

264



266

## Tracks



ART.

CGS-345M

CGS-345P



CGA-345M

CGA-345P

## Racks



ART.

260-22x22

262-30x12

261-26x20



- **EASY AND FAST.** The ease of installing a single mono-carriage insures an extremely rapid operation.
- **ADJUSTABLE.** The mono-carriage is adjustable in length allowing for many different gate size and weight installations.
- **ALIGNEMENT.** The alignment between the wheel units is always perfect without guides or accessories.

Guide plates



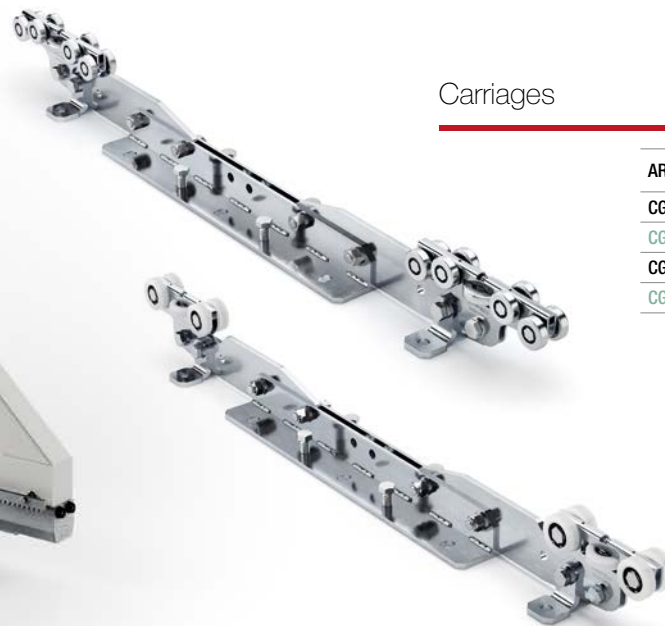
ART.
CG-251
252-200
232-30
232-40

Tension bar



ART.
CG-40

Carriages



ART.
CGS-600.18 M
CGA-600.10 M
CGS-600.18 P
CGA-600.10 P



Fixing template



ART.
CG-06M
CG-06P
CG-65

End stopper for monorail



ART.
CGS-347M
CGS-347P
CGA-347M
CGA-347P
CG-20M
CG-20P
CGA-20M
CGA-20P
CG-21M
CG-21P

Wall bracket



ART.
CG-15M
CG-15P



Life made easy

The adjustable, precise, rapid installation mono carriage. Configuration made easy.

## CGS-600.18

## CGA-600.10 ALUMINIUM

5 nylon wheel carriage head with new generation silent sealed bearings

Space between gate and floor reduced to 75 mm for the MINI versions and 85 mm for the SMALL versions

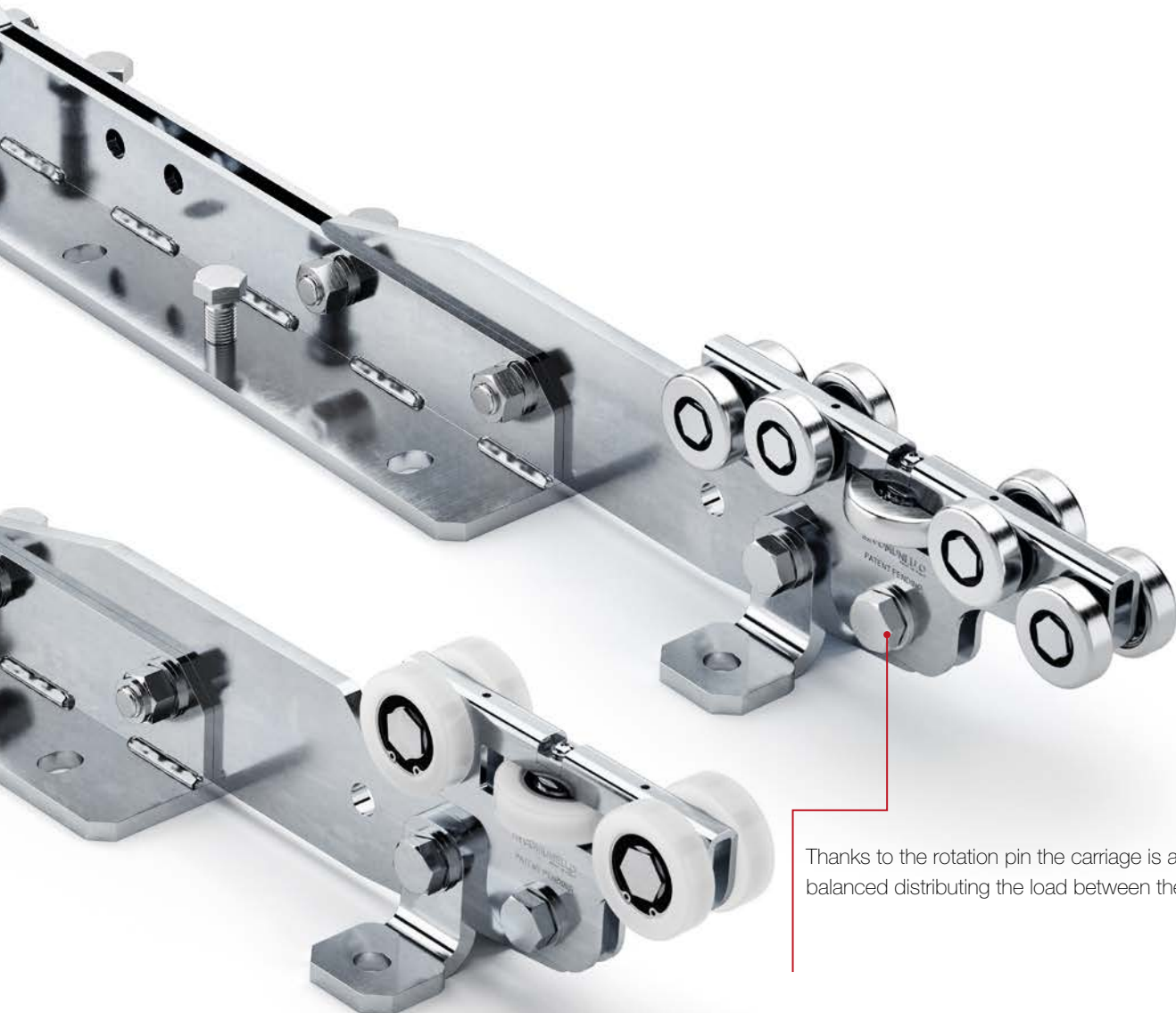


Bullet mono-carriage	H mm
CGS-600.18 M	75
CGS-600.18 P	85
CGA-600.10 M	75
CGA-600.10 P	85

# Internationally patented carriage body structure

9 Wheel carriage head with new generation silent sealed bearings

The disalignment between the four center wheels and the four external wheels allows the full load of the gate to be exchanged from the external wheels to the internal wheels when opening and closing



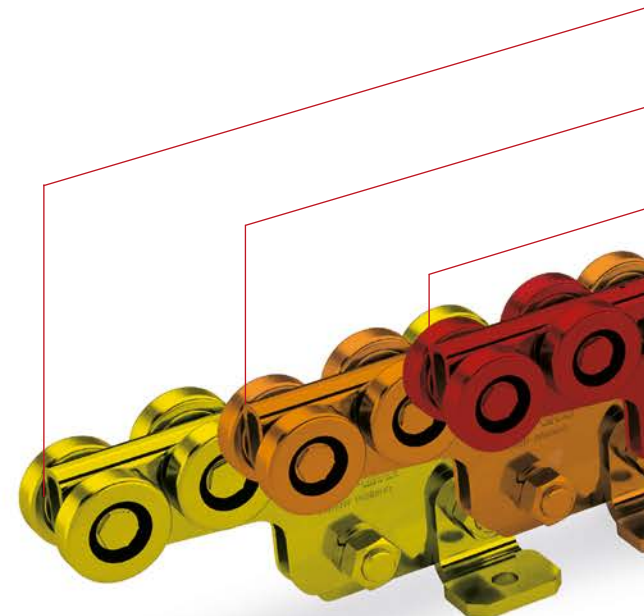
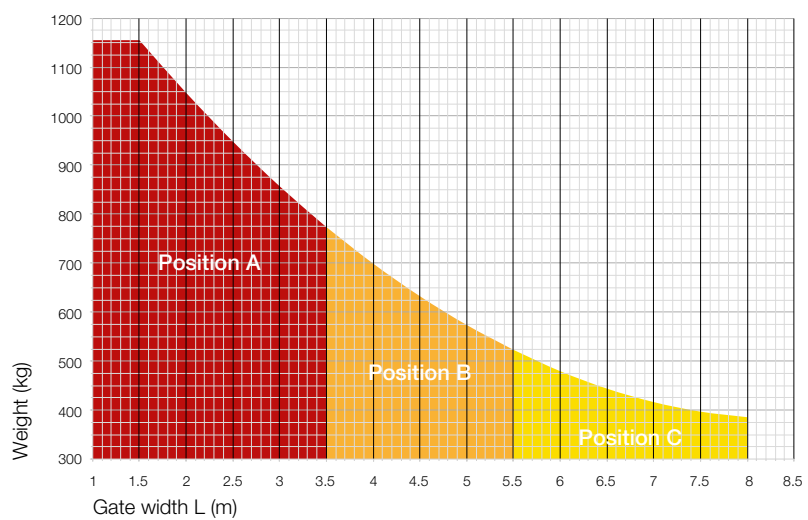
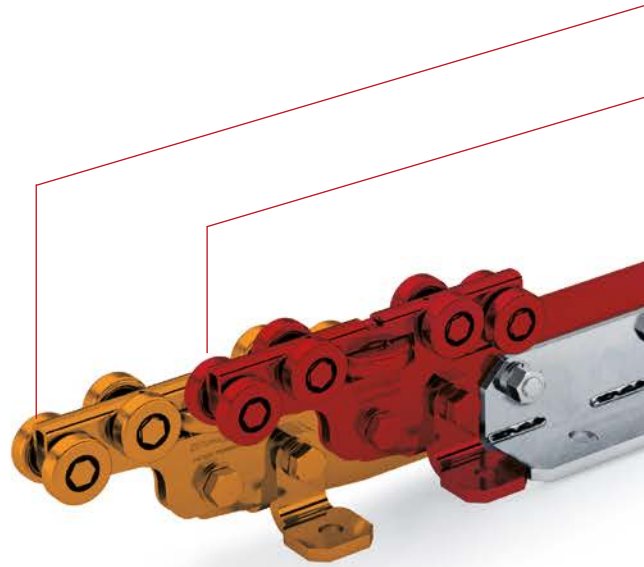
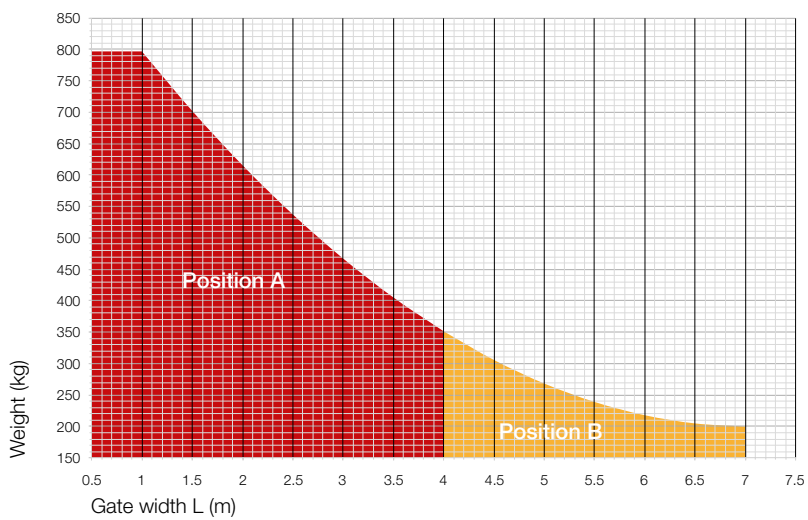
**BULLET**

Thanks to the rotation pin the carriage is automatically balanced distributing the load between the wheels

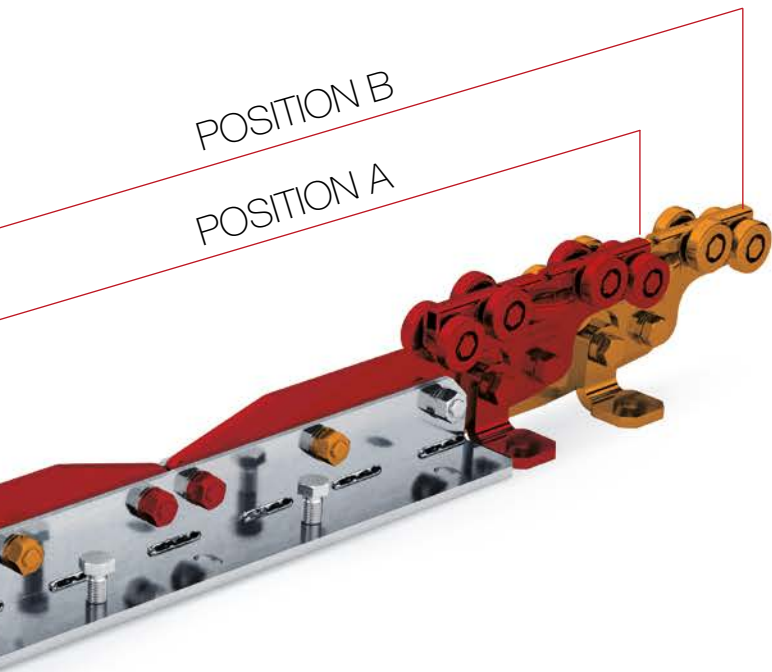
Life made easy

# Bullet. Simplified and precise installation

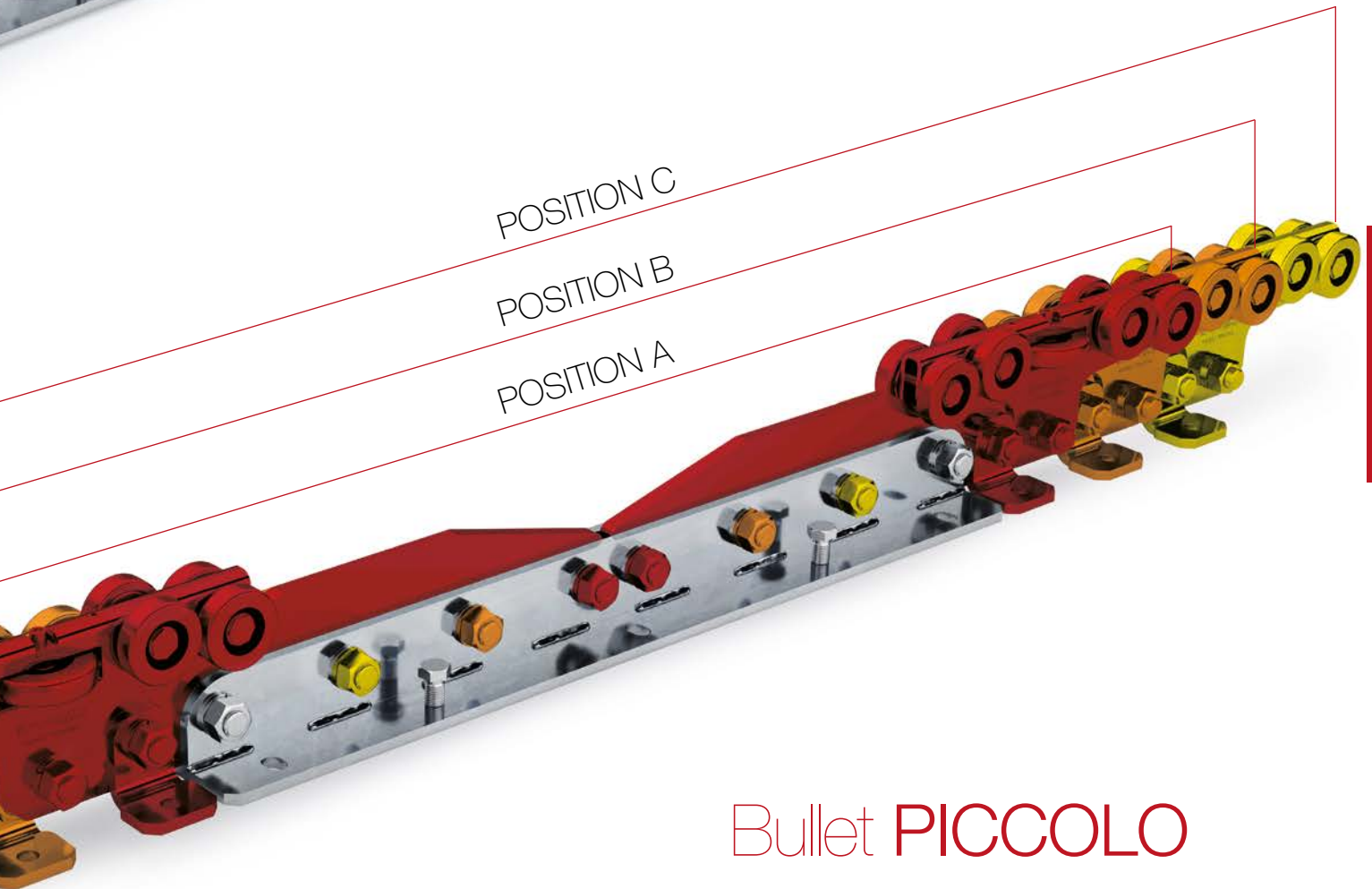
Select the required carriage length and simply position the mono carriage.







## Bullet MINI



**BULLET**

## Bullet PICCOLO

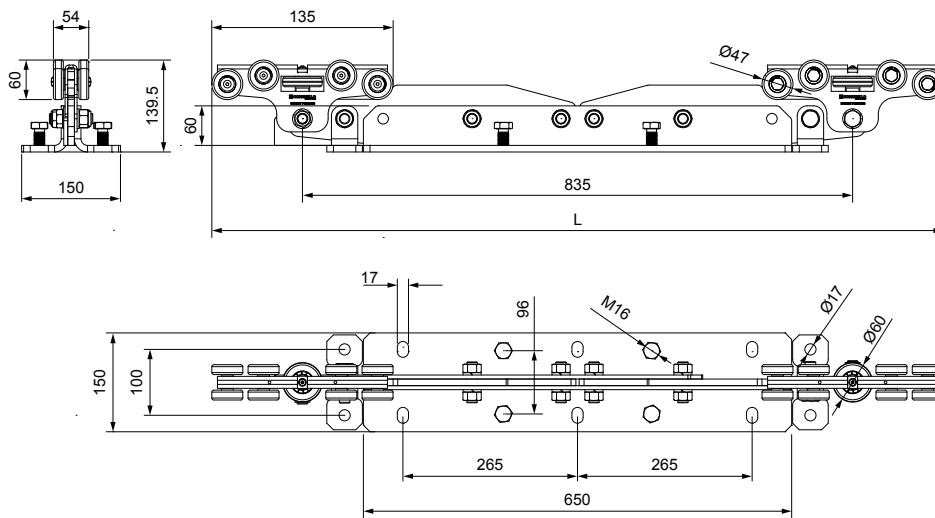
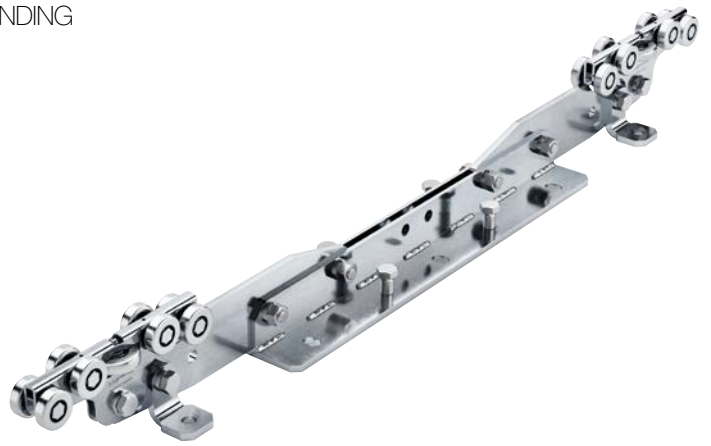
Life made easy

# Bullet MINI

PATENT PENDING

## CGS-600.18 M

Adjustable Mini cantilever carriage with 18 wheels, Bullet system  
 Chariot autoportant adjustable Mini avec 18 roues, système Bullet  
 Einstellbar Mini Laufwagen mit 18 Rädern, Bullet System  
 Carro ajustable autoportante Mini con 18 ruedas, sistema Bullet  
 Регулируемая 18-ти колесная тележка Mini, система Bullet

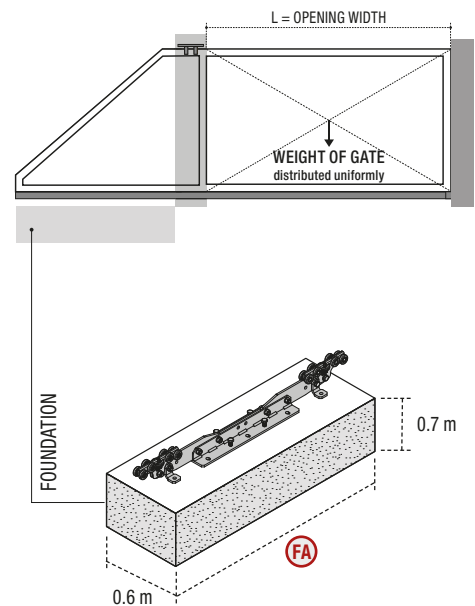


CODE	ART.	Size	L position A	L position B	Box info	
					Pcs per pack	Kg
10130404 001	CGS-600.18 M	Mini	1110	1390	1	29

Minimum dimensions of the reinforced concrete casting

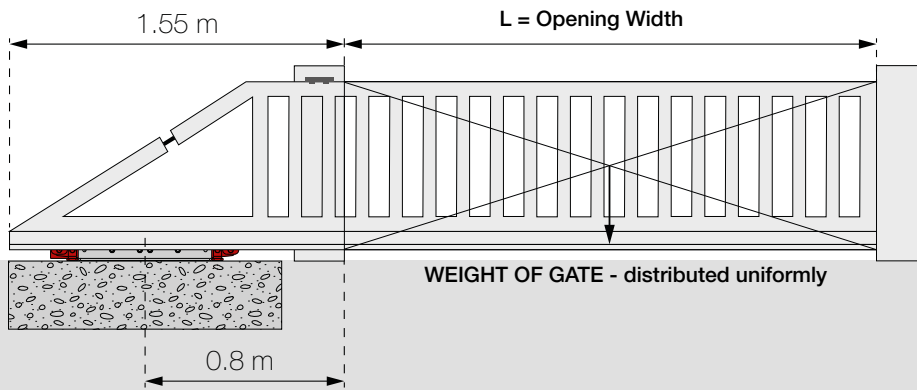
**FOUNDATION CALCULATOR**

Weight (Kg)	POSITION A			POSITION B		
	L=2 m FA (m)	L=3 m FA (m)	L=4 m FA (m)	L=5 m FA (m)	L=6 m FA (m)	L=7 m FA (m)
100	1.1	1.1	1.1	1.1	1.1	1.2
150	1.1	1.1	1.1	1.2	1.3	1.4
200	1.1	1.1	1.2	1.4	1.5	1.7
250	1.1	1.2	1.4	1.6		
300	1.1	1.3	1.5			
350	1.3	1.5	1.7			
400	1.4	1.7				
450	1.5	1.8				
500	1.7					
550	1.8					
600	2.0					

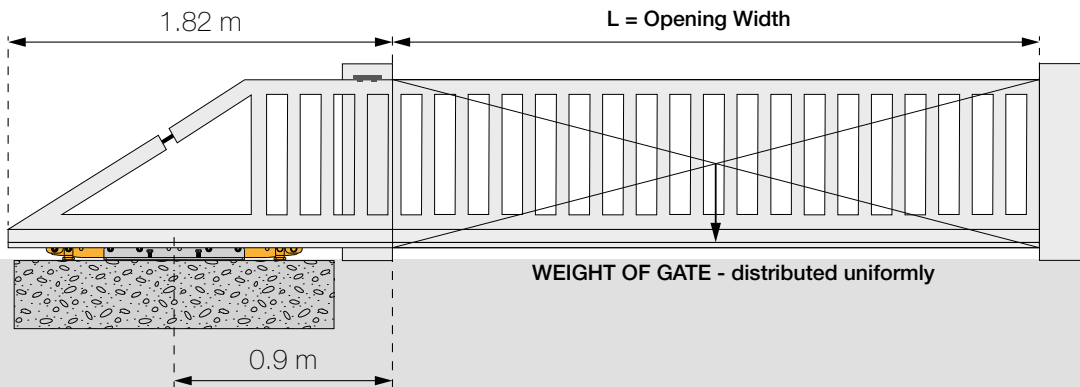
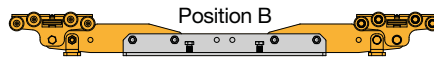




Bullet MINI - Position A



Bullet MINI - Position B



The automation must be installed at the centre of the mono carriage

**BULLET**

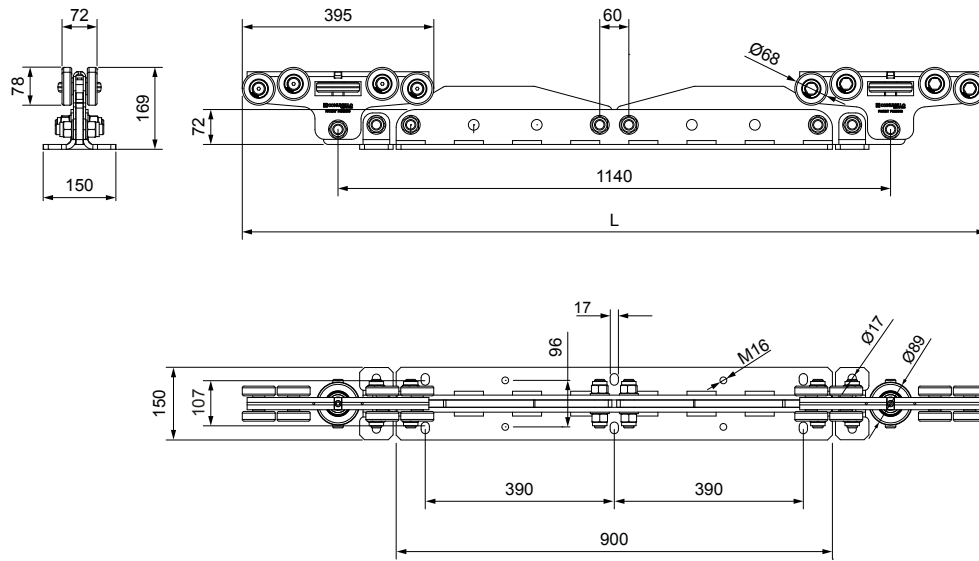
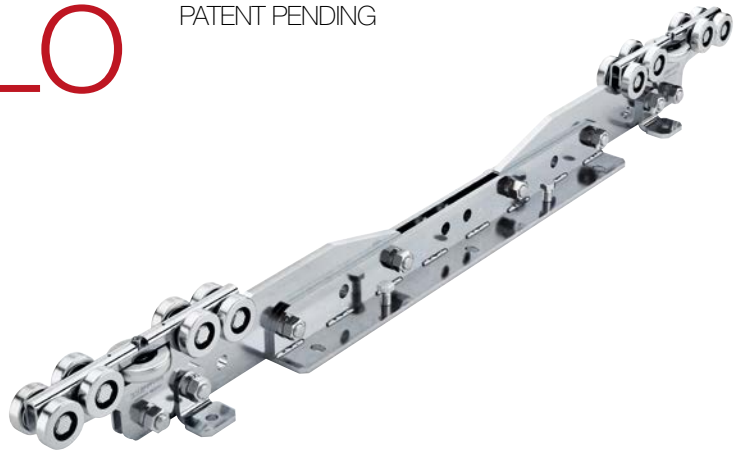
Life made easy

# Bullet PICCOLO

PATENT PENDING

## CGS-600.18 P

Adjustable Piccolo cantilever carriage with 18 wheels, Bullet system  
 Chariot autoportant ajustable Piccolo avec 18 roues, système Bullet  
 Einstellbar Piccolo Laufwagen mit 18 Rädern, Bullet System  
 Carro ajustable autoportante pequeño con 18 ruedas, sistema Bullet, por puertas en aluminio  
 Регулируемая 18-ти колесная тележка Piccolo, система Bullet

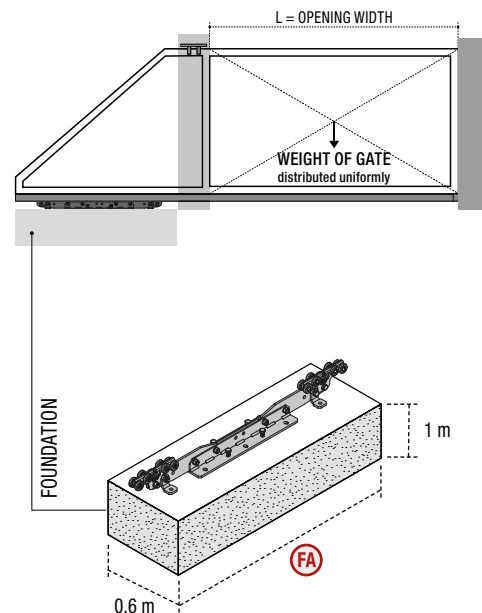


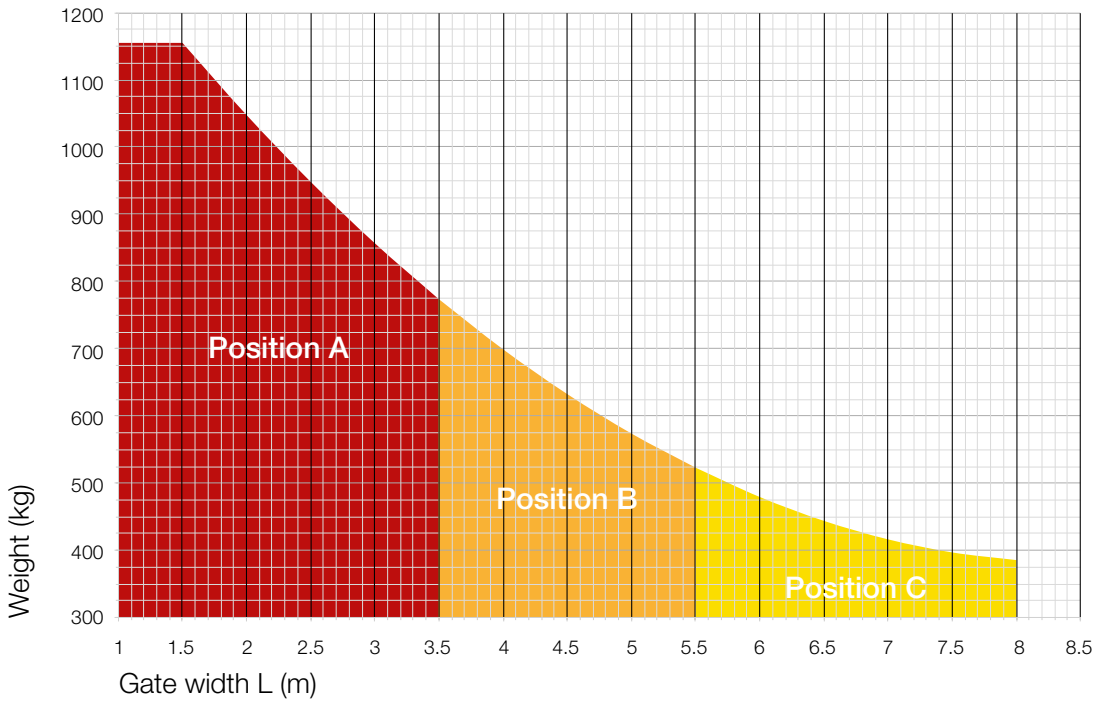
CODE	ART.	Size	L position A	L position B	L position C	Box info	
						Pcs per pack	Kg
10130405 001	CGS-600.18 P	Piccolo	1535	1795	2055	1	54.5

Minimum dimensions of the reinforced concrete casting

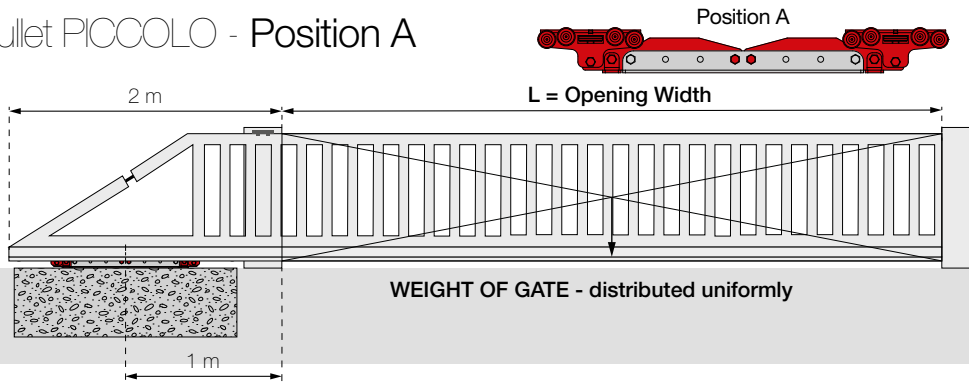
### FOUNDATION CALCULATOR

Weight (Kg)	POSITION A		POSITION B			POSITION C		
	L=2 m FA (m)	L=3 m FA (m)	L=4 m FA (m)	L=5 m FA (m)	L=6 m FA (m)	L=7 m FA (m)	L=8 m FA (m)	
100	1.3	1.3	1.3	1.3	1.3	1.3	1.3	
150	1.3	1.3	1.3	1.3	1.3	1.3	1.3	
200	1.3	1.3	1.3	1.3	1.3	1.3	1.5	
250	1.3	1.3	1.3	1.3	1.3	1.5	1.6	
300	1.3	1.3	1.3	1.3	1.5	1.6	1.8	
350	1.3	1.3	1.3	1.4	1.6	1.8	2.0	
400	1.3	1.3	1.4	1.6	1.7	1.9		
450	1.3	1.3	1.5	1.7	1.9			
500	1.3	1.4	1.6	1.8				
550	1.3	1.5	1.7	2.0				
600	1.3	1.6	1.8					
650	1.4	1.7	2.0					
700	1.5	1.8	2.1					
750	1.6	1.9						
800	1.7	2.0						
850	1.8							
900	1.9							
950	2.0							
1000	2.1							
1050	2.3							

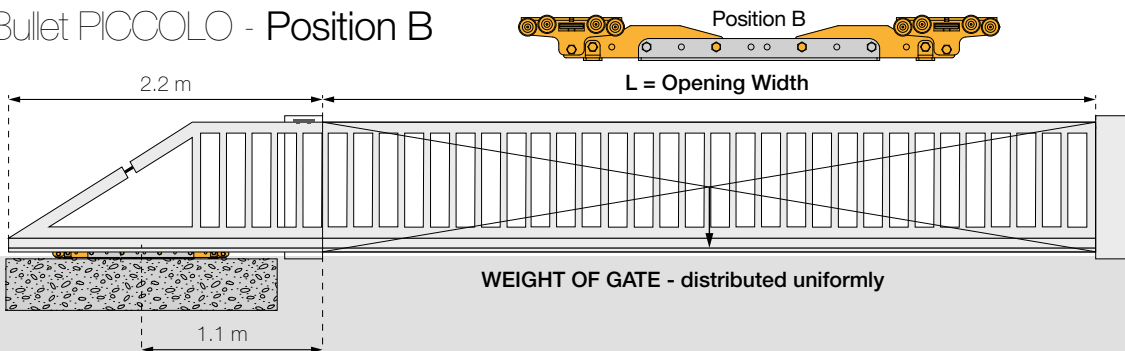




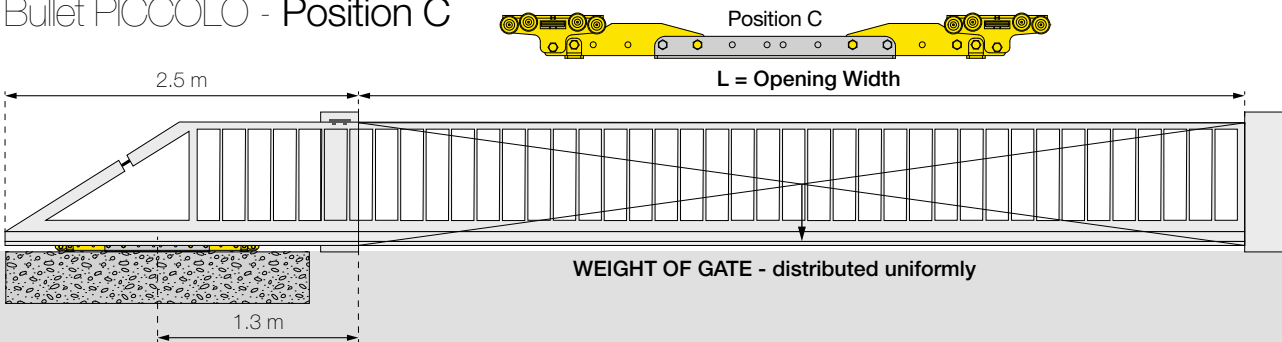
Bullet PICCOLO - Position A



Bullet PICCOLO - Position B



Bullet PICCOLO - Position C



The automation must be installed at the centre of the mono carriage

BULLET



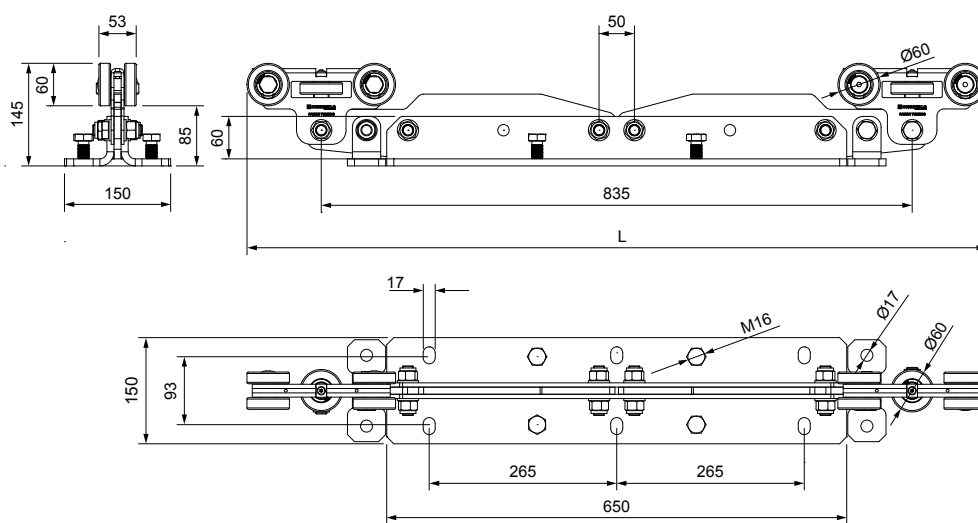
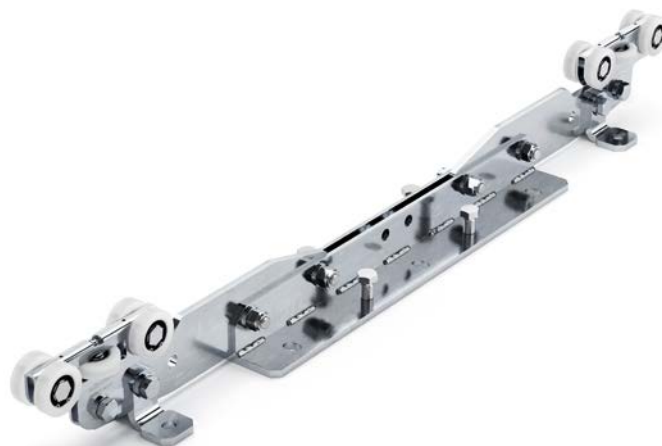
Life made easy

# Bullet MINI Aluminium

PATENT PENDING

## CGA-600.10 M

Adjustable Mini cantilever carriage with 10 wheels, Bullet system, for aluminium gate  
 Chariot autoportant ajustable Mini avec 10 roues, système Bullet, pour portail en aluminium  
 Einstellbar Mini Laufwagen mit 10 Rädern, Bullet System für die Aluminium Serie  
 Carro ajustable autoportante Mini con 10 ruedas, sistema Bullet, por puertas en aluminio  
 Регулируемая тележка Bullet Mini с 10 колесами для люминиевой серии

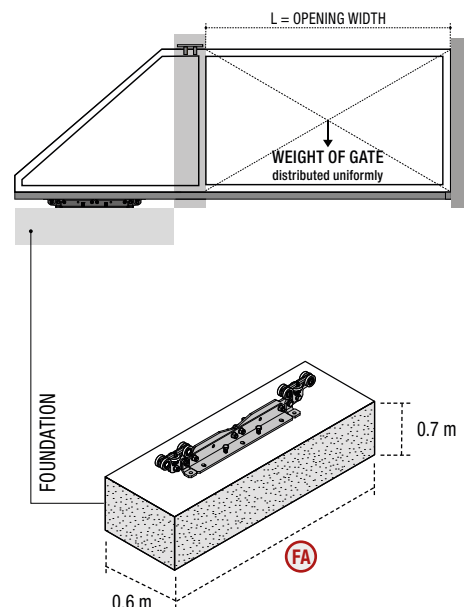


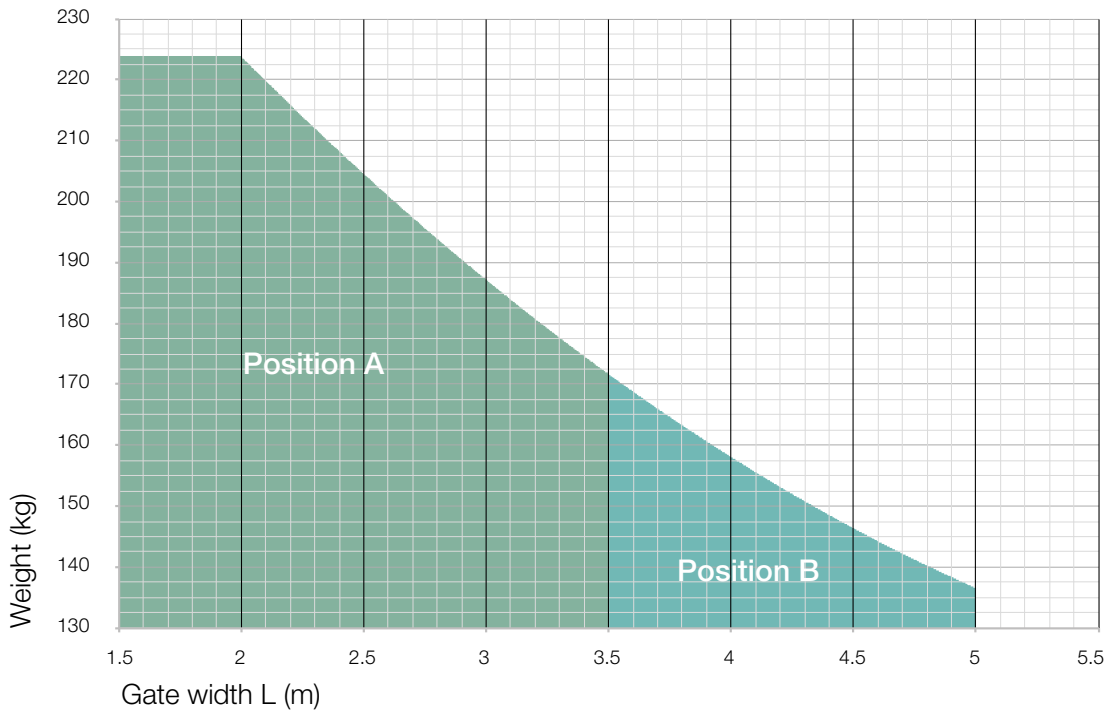
CODE	ART.	Size	L position A	L position B	Box info	
					Pcs per pack	Kg
10130406 001	CGA-600.10 M	Mini	1045	1315	1	27

Minimum dimensions of the reinforced concrete casting

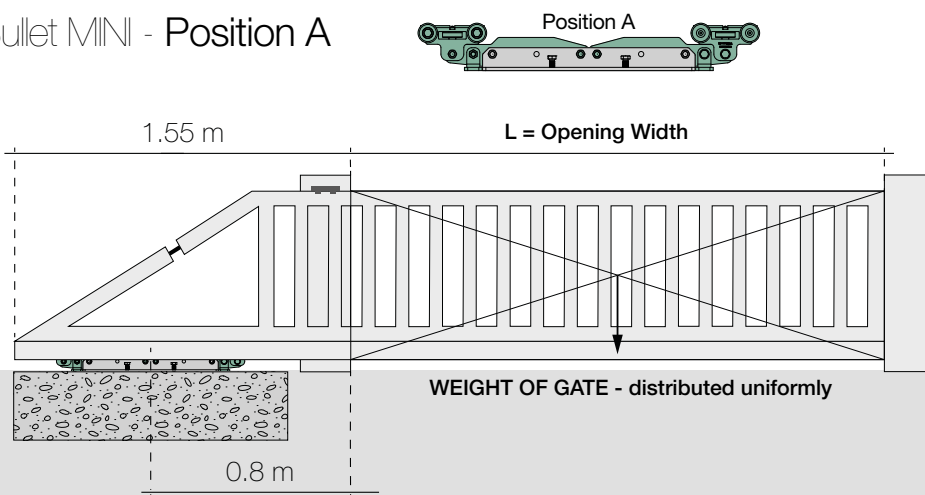
**FOUNDATION CALCULATOR**

	POSITION A				POSITION B		
	L=2 m	L=2.5 m	L=3 m	L=3.5 m	L=4 m	L=4.5 m	L=5 m
Weight (Kg)	FA (m)	FA (m)	FA (m)	FA (m)	FA (m)	FA (m)	FA (m)
100	1.1	1.1	1.1	1.1	1.1	1.1	1.1
125	1.1	1.1	1.1	1.1	1.1	1.2	1.2
150	1.1	1.1	1.1	1.1	1.1	1.2	
175	1.1	1.1	1.1	1.2			
200	1.1	1.1					
225	1.1						

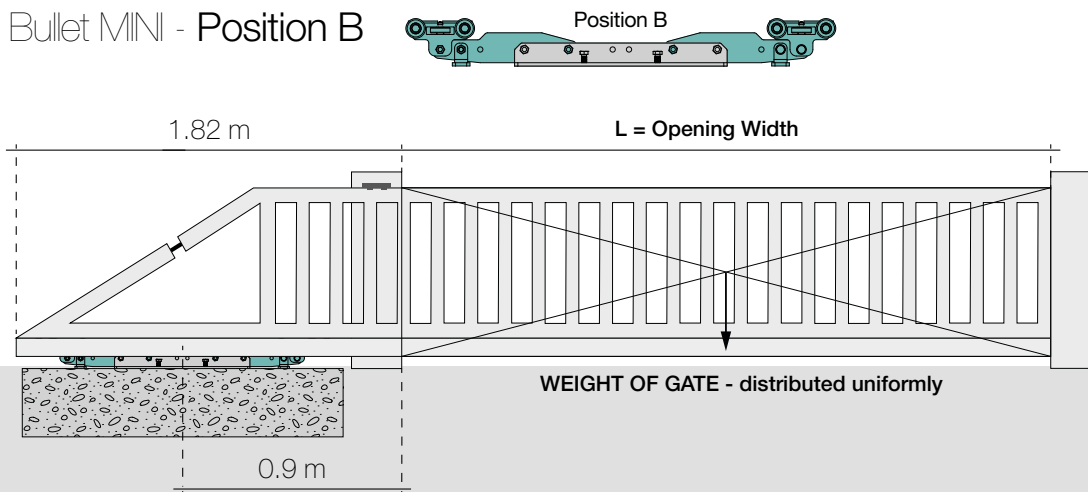




Bullet MINI - Position A



Bullet MINI - Position B



The automation must be installed at the centre of the mono carriage

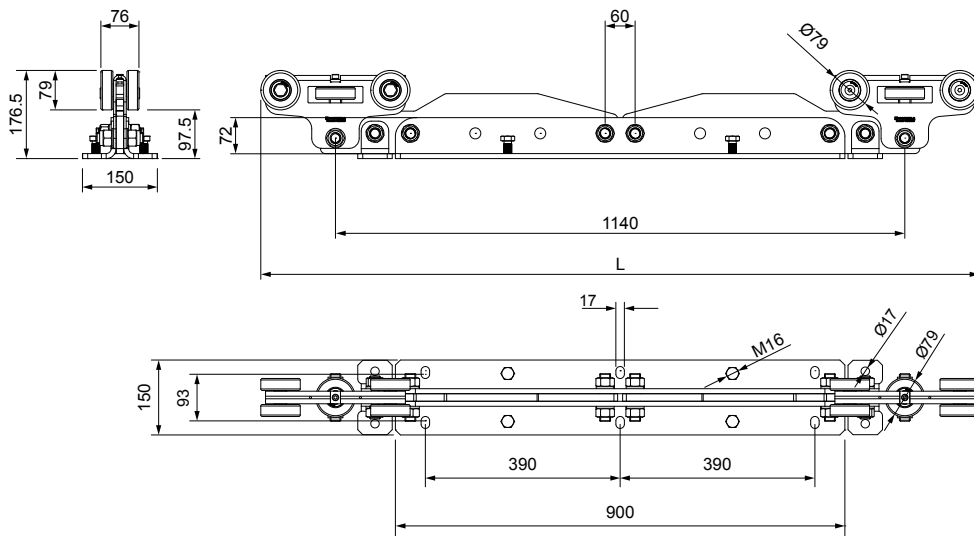
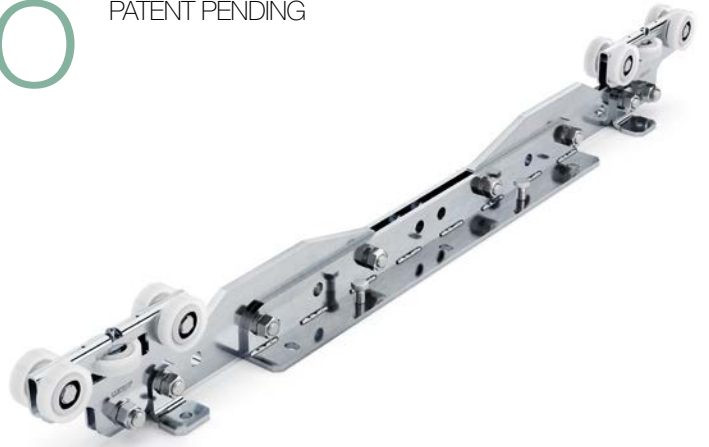
Life made easy

# Bullet PICCOLO Aluminium

PATENT PENDING

## CGA-600.10 P

Adjustable Piccolo cantilever carriage with 10 wheels, Bullet system, for aluminium gate  
 Chariot autoportant ajustable Piccolo avec 10 roues, système Bullet, pour portail en aluminium  
 Einstellbar Piccolo Laufwagen mit 10 Rädern, Bullet System für die Aluminium Serie  
 Carro ajustable autoportante pequeño con 10 ruedas, sistema Bullet, por puertas en aluminio  
 Регулируемая тележка Bullet Piccolo с 10 колесами для люминиевой серии

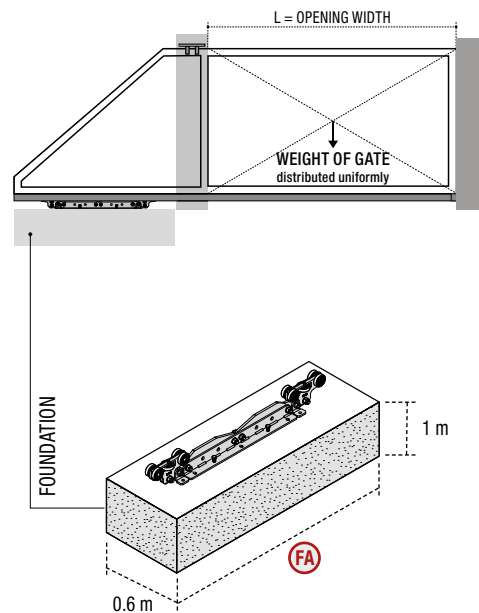


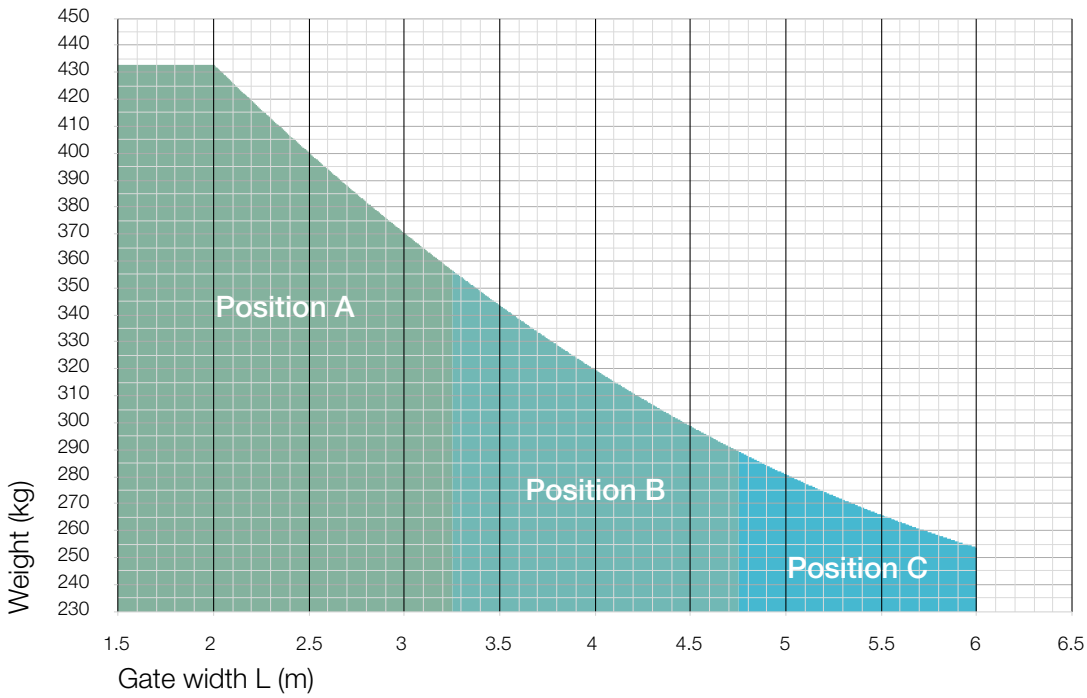
CODE	ART.	Size	L position A	L position B	L position C	Box info	
10130407 001	CGA-600.10 P	Piccolo	1439	1699	1959	Pcs per pack	Kg
						1	49

Minimum dimensions of the reinforced concrete casting

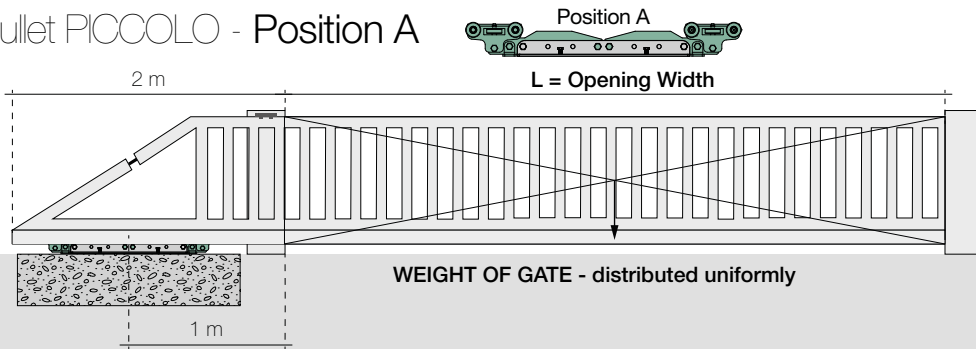
**FOUNDATION CALCULATOR**

	POSITION A			POSITION B			POSITION C		
	L=2 m	L=2.5 m	L=3 m	L=3.5 m	L=4 m	L=4.5 m	L=5 m	L=5.5 m	L=6 m
Weight (Kg)	FA (m)	FA (m)	FA (m)	FA (m)	FA (m)	FA (m)	FA (m)	FA (m)	FA (m)
100	1.3	1.3	1.3	1.3	1.3	1.3	1.3	1.3	1.3
125	1.3	1.3	1.3	1.3	1.3	1.3	1.3	1.3	1.3
150	1.3	1.3	1.3	1.3	1.3	1.3	1.3	1.3	1.3
175	1.3	1.3	1.3	1.3	1.3	1.3	1.3	1.3	1.3
200	1.3	1.3	1.3	1.3	1.3	1.3	1.3	1.3	1.3
225	1.3	1.3	1.3	1.3	1.3	1.3	1.3	1.3	1.3
250	1.3	1.3	1.3	1.3	1.3	1.3	1.3	1.3	1.3
275	1.3	1.3	1.3	1.3	1.3	1.3	1.3		
300	1.3	1.3	1.3	1.3	1.3				
325	1.3	1.3	1.3	1.3					
350	1.3	1.3	1.3						
375	1.3	1.3							
400	1.3	1.3							
425	1.3								

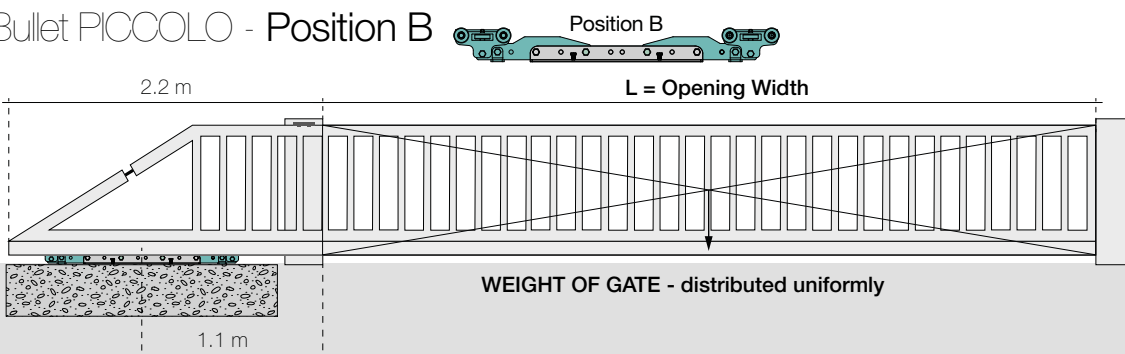




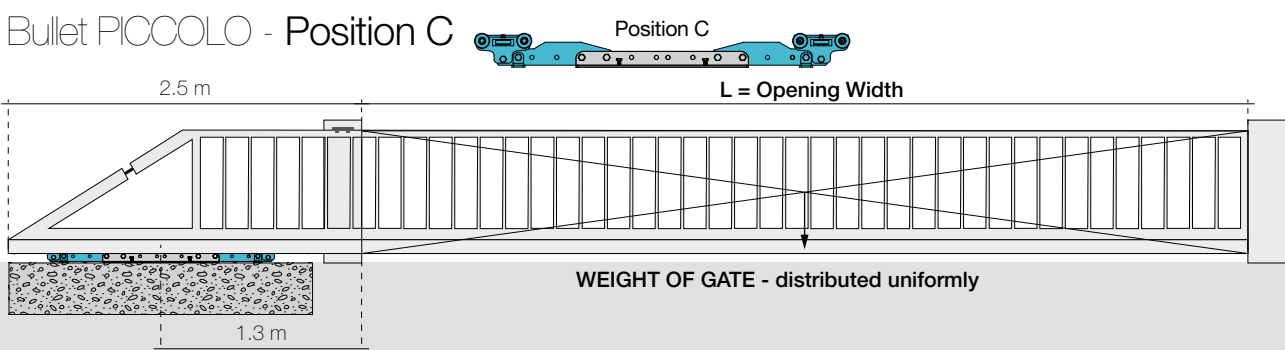
Bullet PICCOLO - Position A



Bullet PICCOLO - Position B



Bullet PICCOLO - Position C



The automation must be installed at the centre of the mono carriage

# Compatible Cantilever Accessories

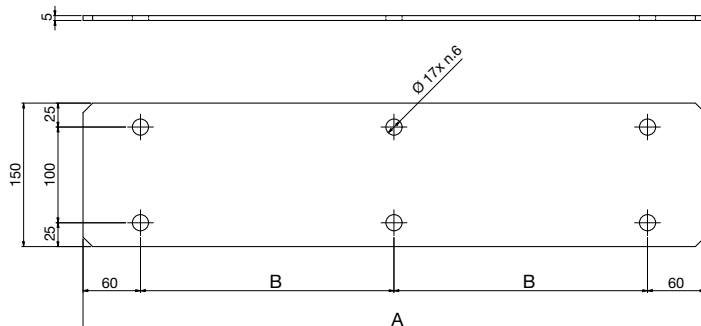
## CG-06

Fixing plate for carriage, Bullet system  
 Plaque de fixation pour chariot, système Bullet  
 Klemmplatte für Laufwagen, Bullet System  
 Placa de fijación a cementar para carro, sistema Bullet  
 Контрплита для тележек, система Bullet



CODE	ART.	Size	A	B	Box info	
					Pcs per pack	Kg
10131015 001	CG-06 M	Mini	650	265	1	3.8
10131020 001	CG-06 P	Piccolo	900	390	1	5.2

Finishing: Galvanized



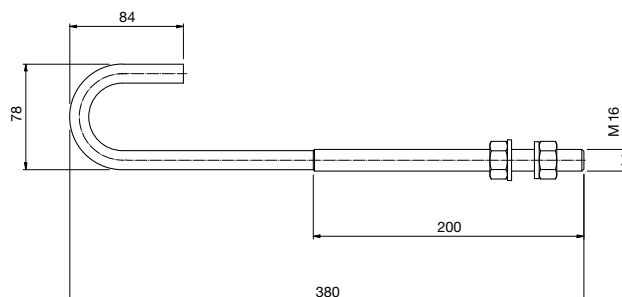
## CG-65

Threaded tie rods for Mini and Piccolo carriages, Bullet system  
 Tirants filetés pour chariots Mini et Piccolo, système Bullet  
 Gewindestange für Mini und Piccolo Laufwagen, Bullet System  
 Anclajes roscados por carros Mini y Piccolo, sistema Bullet  
 Резьбовое анкерное крепление для тележек Mini и Piccolo, система Bullet



CODE	ART.	Size	Box info	
			Pcs per pack	Kg
10130515 001	CG-65	M&P	6	0.75

Finishing: Galvanized





# Bullet Compatible Aluminium Accessories

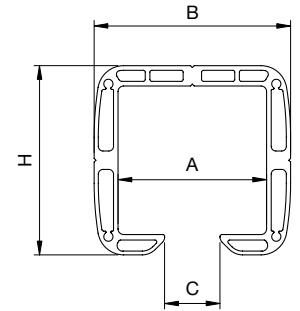
## CGA-345

Monorail in extruded aluminium for cantilever gates  
 Rail en aluminium extrudé pour portails autoportants  
 Einfachschiene aus fließgepresstem  
 Aluminium für selbsttragende Tore  
 Monocarril de aluminio extruido para puertas autoportantes  
 Монорельс из экструдированного алюминия для самонесущих ворот



CODE	ART.	Size	Finishing	A	B	C	H	L	Box info	
									Pcs per pack	Kg
10208001	CGA-345M	Mini	Raw	61	83	23	79	3000	1	12.00
10208003	CGA-345M	Mini	Raw	61	83	23	79	6000	1	24.00
10208005	CGA-345P	Piccolo	Raw	80.5	106.5	30	102.5	3000	1	16.00
10208007	CGA-345P	Piccolo	Raw	80.5	106.5	30	102.5	6000	1	32.00

Finishing: Aluminium



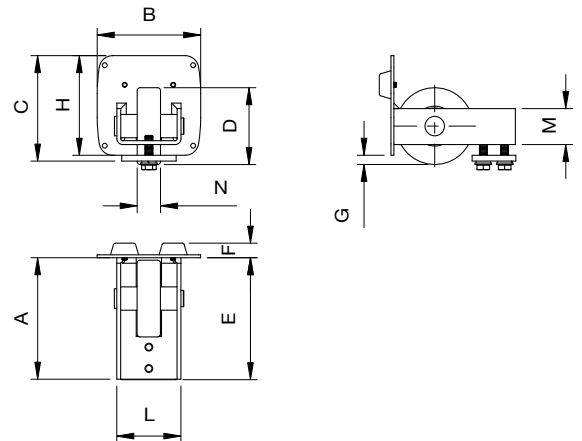
## CGA-347

Nylon end wheel for aluminium monorail  
 Galet d'extrémité en nylon pour rail en aluminium  
 Nylon-Endrolle für Einfachschiene aus Aluminium  
 Rueda terminal de nylon para monocarril de aluminio  
 Концевое колесо из нейлона для алюминиевого монорельса



CODE	ART.	Size	A	B	C	D	E	F	G	H	L	M	N	Box info	
														Pcs per pack	Kg
10705200 001	CGA-347M	Mini	119	83	83	∅ 66	119	16	7	79	45	32	15	2	2.10
10705205 001	CGA-347P	Piccolo	140	106.5	118	∅ 79	125	15	9.6	102.5	66	37	26	2	3.4

Finishing: Aluminium



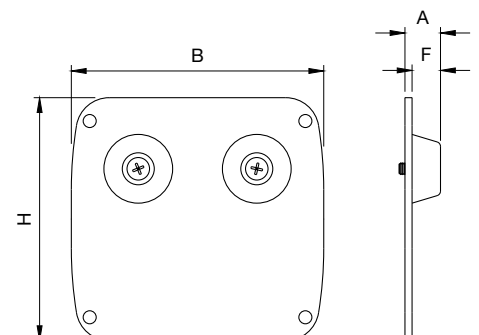
## CGA-20

End stopper for aluminium monorail  
 Embout d'extrémité pour rail en aluminium  
 Endpfropfen für Einfachschiene aus Aluminium  
 Terminal para monocarril de aluminio  
 Наконечник для алюминиевого монорельса



CODE	ART.	Size	A	B	F	H	Box info	
							Pcs per pack	Kg
10707001 001	CGA-20M	Mini	16	83	12	79	2	0.44
10707005 001	CGA-20P	Piccolo	15	106.5	12	102.5	2	0.60

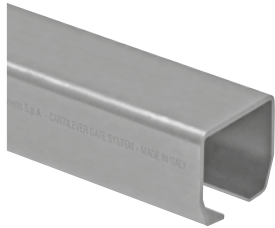
Finishing: Aluminium



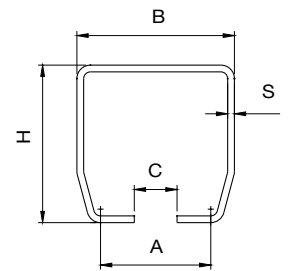
# Compatible Cantilever Accessories

## CGS-345

Monorail for cantilever gates  
 Rails pour portails autoportants  
 Einfachschiene für selbsttragende Tore  
 Monocarril para puertas autoportantes  
 Моновель для самонесущих ворот



CODE	ART.	Size	Finishing	A	B	C	H	S	L	Box info	
										Pcs per pack	Kg
10207001	CGS-345M	Mini	Raw	48	68	23	68	3.5	3000	1	18,25
10207002	CGS-345M	Mini	Raw	48	68	23	68	3.5	6000	1	36,50
10207005	CGS-345P	Piccolo	Raw	66.5	100	33	89	5	3000	1	35,00
10207007	CGS-345P	Piccolo	Raw	66.5	100	33	89	5	6000	1	70,00
10207001 001	CGS-345M	Mini	Zinc	48	68	23	68	3.5	3000	1	18,25
10207002 001	CGS-345M	Mini	Zinc	48	68	23	68	3.5	6000	1	36,50
10207005 001	CGS-345P	Piccolo	Zinc	66.5	100	33	89	5	3000	1	35,00
10207007 001	CGS-345P	Piccolo	Zinc	66.5	100	33	89	5	6000	1	70,00



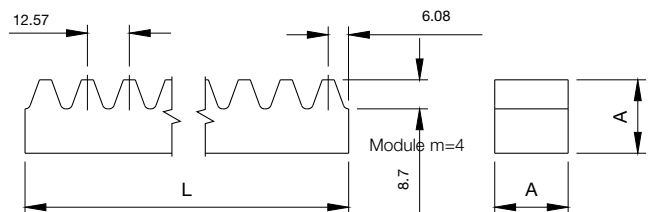
## 260

Square rack  
 Crémaillère carrée  
 Viereckige Zahnstange  
 Cremallera cuadrada  
 Зубчатая рейка квадратная



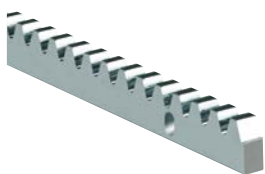
CODE	ART.	Size	A	L	Box info	
					Pcs per pack	Kg
11400505 001	260-22x22	L=1000	22	1000	1	3.10

Finishing: Galvanized



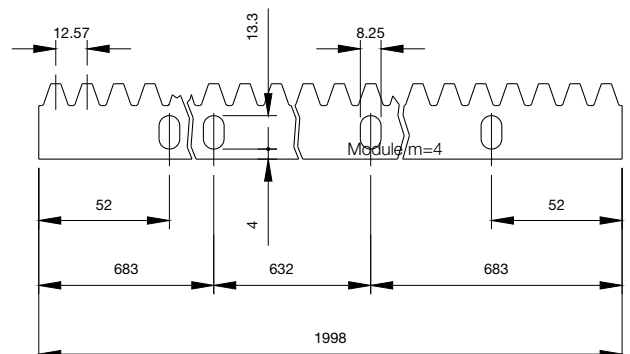
## 262

Rectangular rack 30x12 with holes  
 Crémaillère rectangulaire 30x12 avec trous  
 Rechteckige Zahnstange 30x12 mit Bohrungen  
 Cremallera Rectangular 30x12 con agujeros  
 Зубчатая рейка прямоугольная 30x12 с отверстиями



CODE	ART.	Size	L	Box info	
				Pcs per pack	Kg
11401005 001	262-30x12	L=1000	1000	1	2,40

Finishing: Galvanized



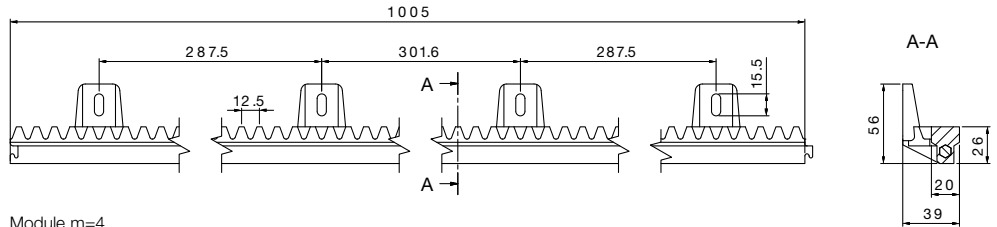
# 261

Nylon-rack with steel body  
 Crémaillère en nylon avec corps en acier  
 Nylon-Zahnstange mit Stahlkörper  
 Cremallera de nylon y cuerpo de acero  
 Зубчатая рейка из нейлона и корпус из нержавеющей стали



CODE	ART.	Size	Box info	
			Pcs per pack	Kg
11400102	261-26x20	L=1000	1	1.10

Finishing: Galvanized



Module m=4

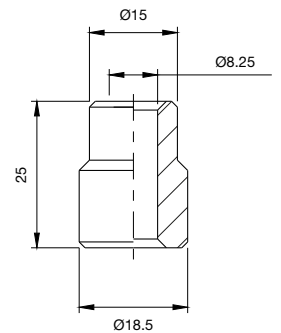
# 264

Support for rectangular rack to be welded  
 Attache entretoise pour crémaillère rectangulaire  
 Distanzstück für rechteckige Zahnstange zum Schweißen  
 Fijación para soldar para cremallera rectangular  
 Привариваемое соединение для прямоугольной зубчатой рейки



CODE	ART.	Box info	
		Pcs per pack	Kg
11401505 001	264	30	1.50

Finishing: Galvanized



BULLET

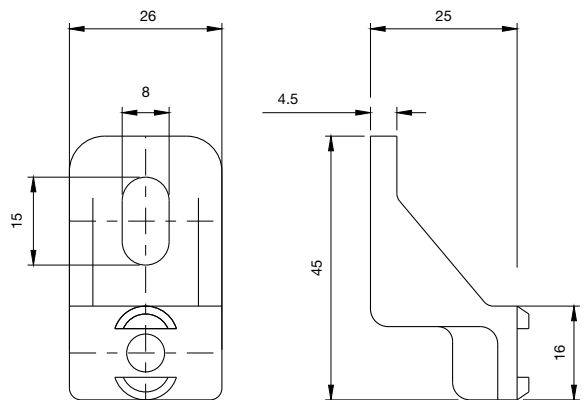
# 266

Alloy support for rectangular rack  
 Attache entretoise en zamak pour crémaillère rectangulaire  
 Zamak-Distanzstück für rechteckige Zahnstange  
 Fijación de zamak para cremallera rectangular  
 Соединение из сплава зама для прямоугольной зубчатой рейки



CODE	ART.	Box info	
		Pcs per pack	Kg
11402505 001	266	30	2.10

Finishing: Galvanized



Life made easy

# Compatible Cantilever Accessories

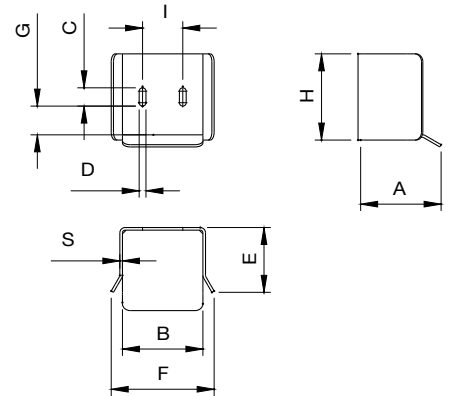
## CGS-346

Bottom end cup to be fixed  
Butée inférieure à fixer  
Unterauflageschuh zum Aufschrauben  
Encuentro inferior para fijar  
Прикрепляемый нижний упор



CODE	ART.	Size	A	B	C	D	E	F	G	H	I	S	Box info	
													Pcs per pack	Kg
10705501 001	CGS-346M	Mini	104	78	25	9	75	114	25	91	38	4	2	2.3
10705505 001	CGS-346P	Piccolo	119	112	30	11	84	154	33	112	50	4	2	3.6

Finishing: Galvanized



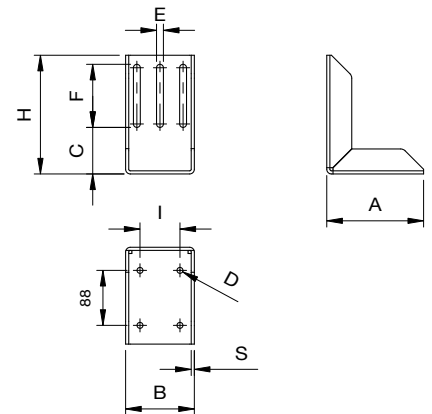
## CG-15

Adjustable wall mounting angle racket for end cup  
Platine angulaire réglable fixation au mur pour butée  
Verstellbare Eckmuerhalterung für Auflageschuh  
Placa angular regulable fijación a la pared para encuentro  
Угловой регулируемый кронштейн крепления к стене для упора



CODE	ART.	A	B	C	D	E	F	H	I	S	Box info	
											Pcs per pack	Kg
10708001 001	CG-15M	155	110	65	Ø 9.5	9	78	165	64	5	1	2.60
10708005 001	CG-15P	155	110	80	Ø 9.5	11	90	190	64	5	1	2.90

Finishing: Galvanized



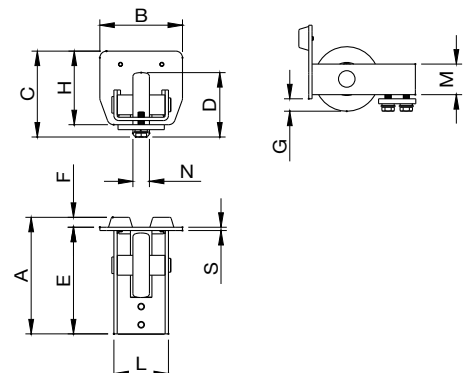
## CGS-347

End wheel for monorail  
Galet d'extrémité pour rail  
Endrad für Einfachschiene  
Rueda terminal para monocarril  
Концевое колесо монорельса



CODE	ART.	A	B	C	D	E	F	G	H	L	M	N	S	Box info	
														Pcs per pack	Kg
10705001 001	CGS-347M	135	68	82.5	Ø 68	123	12	14.5	68	45	32	15	4	2	2.00
10705005 001	CGS-347P	141	100	104	Ø 78	129	12	15	89	66	37	20	4	2	3.40

Finishing: Galvanized



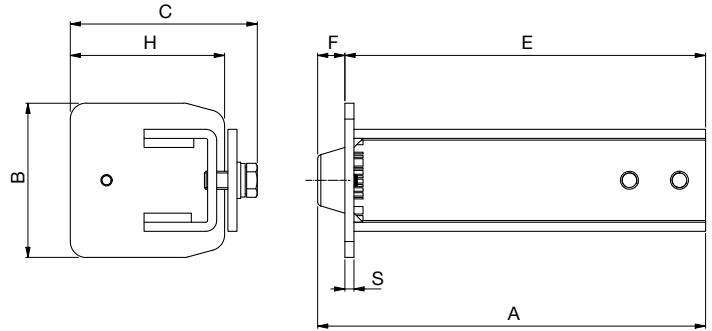
# CG-20

End stopper without wheel for monorail  
 Embout d'extrémité sans galet pour rail  
 Endpropfen für Einfachschiene ohne Rad  
 Terminal sin rueda para monocarril  
 Наконечник без колеса для монорельса



CODE	ART.	Size	A	B	C	E	F	H	S	Box info	
										Pcs per pack	Kg
10707101 001	CG-20M	Mini	68	68	78	155	12	68	4	2	1.20
10707105 001	CG-20P	Piccolo	100	100	105	155	12	89	4	2	1.80

Finishing: Galvanized



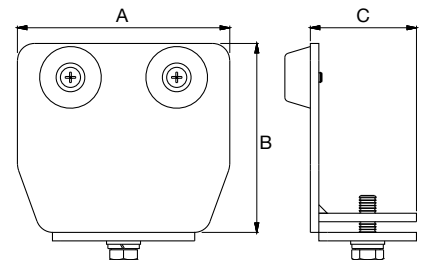
# CG-21

End stopper without wheel for monorail  
 Embout d'extrémité sans galet pour rail  
 Endpropfen für Einfachschiene ohne Rad  
 Terminal sin rueda para monocarril  
 Наконечник без колеса для монорельса



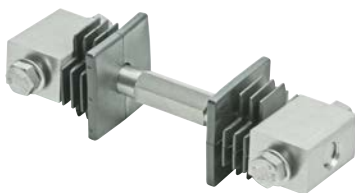
CODE	ART.	Size	A	B	C	Box info	
						Pcs per pack	Kg
10707115 001	CG-21M	Mini	68	68	49	4	1.30
10707120 001	CG-21P	Piccolo	100	89	50	4	1.70

Finishing: Galvanized



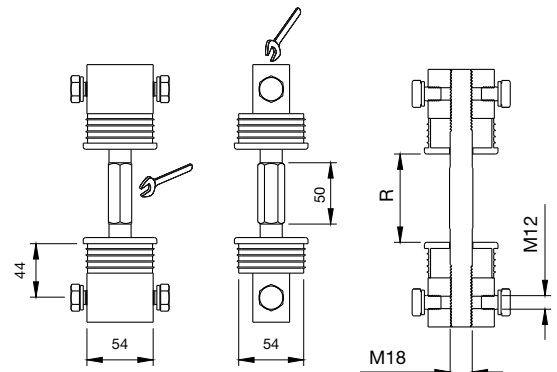
# CG-40

Tension bar for gate regulation  
 Tirants pour réglage portails  
 Ankerbolzen zur Torregulierung  
 Tensores de acero galvanizado para regulaciones puertas  
 Тяга из оцинкованной стали для регулирования ворот



CODE	ART.	R	19	Box info	
				Pcs per pack	Kg
10131400 001	CG-40	50-100	19	1	1.30

Finishing: Galvanized



**BULLET**



# Compatible Cantilever Accessories

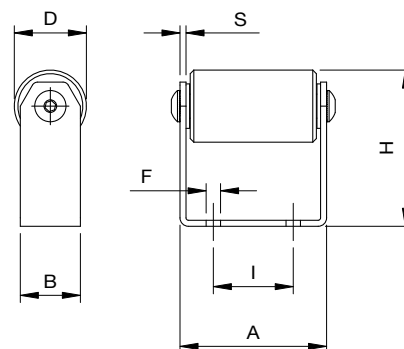
## CG-25

Lower end cup with nylon roller  
 Butée inférieure avec rouleau en nylon  
 Unterauflageschuh mit Nylonrolle  
 Encuentro inferior con rodillo de nylon  
 Нижний упор с нейлоновым роликом



CODE	ART.	Size	A	B	D	F	H	I	S	Box info	
										Pcs per pack	Kg
10707501 001	CG-25M	Mini	80	40	∅ 50	8.5	115	45	5	2	1.30
10707505 001	CG-25P	Piccolo	122	50	∅ 60	11	130	75	5	2	2.60

Finishing: Galvanized



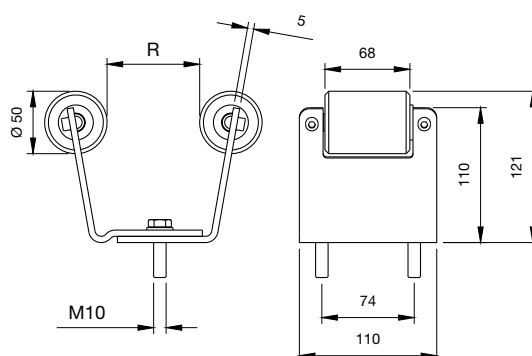
## CG-30

Adjustable end cup to be fixed for gates  
 Butée réglable à fixer pour portails  
 Verstellbarer Auflageschuh zum Aufschrauben für Tore  
 Encuentro para puertas regulable para fijar  
 Прикрепляемый упор для ворот регулируемый



CODE	ART.	Size	R	Box info	
				Pcs per pack	Kg
10707601 001	CG-30M	Mini	53-76	1	1.50
10707605 001	CG-30P	Piccolo	86-114	1	1.90

Finishing: Galvanized



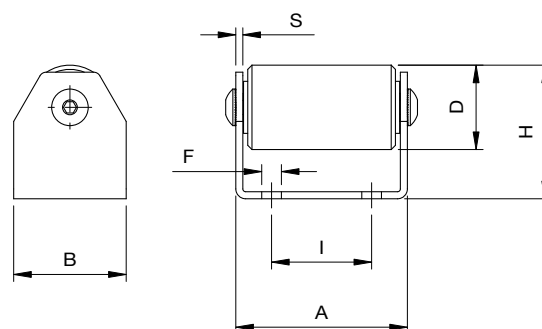
## CG-35

Intermediate support with nylon roller  
 Support intermédiaire de soutien avec rouleau en nylon  
 Mittlerer Stütze für selbsttragende Tore  
 Soporte intermedio de sostén con rodillo de nylon  
 Промежуточная опора с нейлоновым роликом



CODE	ART.	A	B	D	F	H	I	S	Box info	
									Pcs per pack	Kg
10707705 001	CG-35P	122	80	∅ 60	17	95	70	5	1	1.40

Finishing: Galvanized



# CG-251

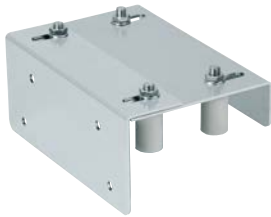
Adjustable gate guide plate to be fixed with long wing

Plaque guide portail réglable à fixer avec aile longue

Verstellbare Torführungsplatte mit langem Flügel zum Aufschrauben

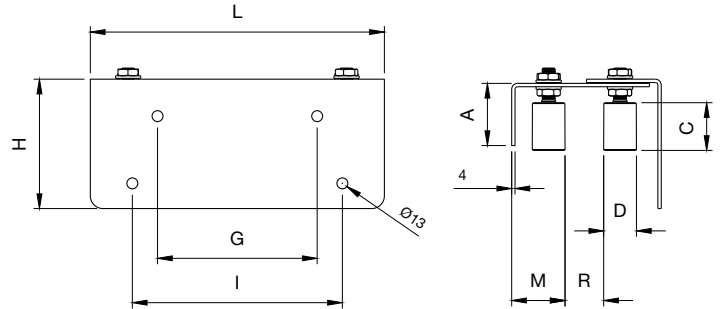
Placa de guía de la puerta regulable con ala larga para fijar

Пластина регулируемая направляющая ворот с длинной прикрепляемой полкой



CODE	ART.	A	C	D	G	H	I	L	M	R	Box info	
											Pcs per pack	Kg
11310005 001	CG-251	74	58	Ø40	190	154	230	350	44-88	70-110	1	6.70

Finishing: Galvanized



# 232

Nylon roller with accident prevention

Rouleau en nylon pour la prévention des accidents

Nylon-Führungsrolle für die Unfallverhütung

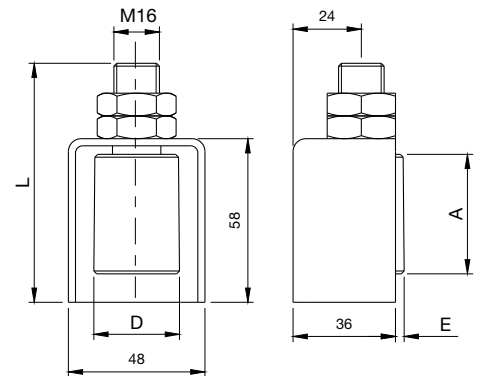
Rodillo de nylon con protección

Нейлоновый наконечник с защитой от несчастных случаев



CODE	ART.	A	B	D	I	H	Box info	
							Pcs per pack	Kg
11302210 001	232-30	40	Ø30	3	84	24	20	4.40
11302215 001	232-40	58	Ø39	7.5	98	24	20	5.90

Finishing: Galvanized



# 252

Double adjustment plate to be screwed for gates with 2 columns

Platine double réglage à visser pour portails avec 2 colonnes

Platte zum Anschrauben mit Doppelverstellung für Tore mit zwei Pfeiler

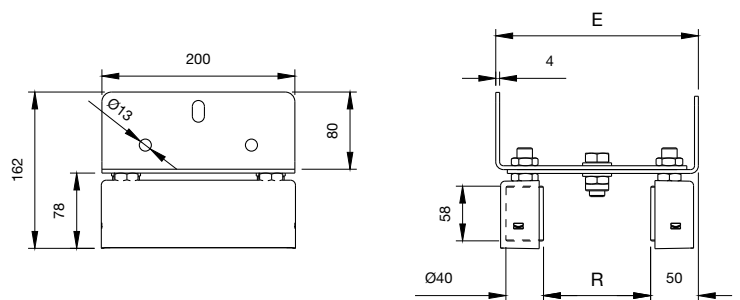
Placa doble regulación para fijar para puertas con dos columnas

Прикрепляемая пластина с двойным регулированием для ворот с двумя стойками



CODE	ART.	Size	E	R	Box info	
					Pcs per pack	Kg
11306205 001	252-200	Ø 40	210-360	0-300	1	4.1

Finishing: Galvanized



# Gate innovation made in Comunello

 **COMUNELLO GATE**

**FRATELLI COMUNELLO S.P.A.**

Via Cassola, 64 - C.P. 79

36027 Rosà, Vicenza, Italy

Tel. +39 0424 585111 Fax +39 0424 533417

info@comunello.it [www.comunello.com](http://www.comunello.com)