



Datasheet CCT EVO SLR Disc

For more informations visit www.corratec.de

CCT EVO

CCT EVO SLR Disc

Weight from: 6,9 kg

Frame: Corratec CCT EVO SL Disc

Components: Sram Red eTAP AXS

Size: 46, 48, 51, 54, 57, 60

Colors:



TECHNOLOGIES



PRO CONTROL FORK



PRO SIZE SYSTEM



LOW PROFILE CHAINSTAY



WHEEL SIZE



DIGITAL INTEGRATED INTELLIGENCE



INTERNAL CABLE ROUTING



SUPER LIGHT



EPS CARBON



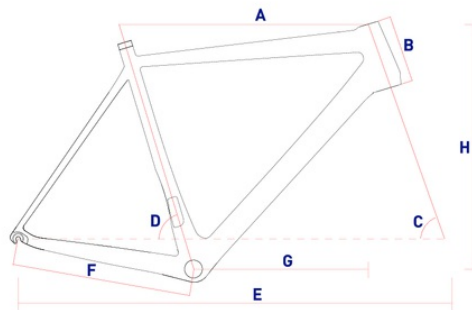
TAPERED HEADTUBE

DESCRIPTION

- Light, stiff an aerodynamic EPS NACA 0038 produced Toray carbon frame
- Safe descents thanks to an aerodynamic NACA 0038 Pro Control carbon fork
- Amazing size geometries adapted to the customer needs - Pro Size 6 System

FRAME

CM	A	B	C	D	E	F	G	H
46	516	119	71	75	974	407	373	518
48	534	130	73	74	973	407	381	534
51	551	144	73	74	978	407	386	550
54	569	153	73	73	991	407	399	558
57	585	178	73	73	1004	407	405	582
60	598	194	73	73	1017	407	413	598



EQUIPMENT

MAIN:

FRAME:	Corratec CCT EVO SL Disc
FORK:	Corratec Pro Control Disc Fork
BREAKES:	SRAM Red hydraulic Disc Brake front SRAM Red hydraulic Disc Brake rear
STEM:	ZZYX SL Alloy Stem
HANDLE BAR:	ZZYX SLR Carbon Handlebar
SADDLE:	Selle San Marco Aspide Carbon FX
SEAT POST:	ZZYX SL Alloy

WHEELSET :

RIM:	ZZYX Carbon SL Disc front ZZYX Carbon SL Disc rear
TIRE:	Continental GP5000 front Continental GP5000 rear

DRIVE:

CHAINWHEEL:	SRAM Red DUB
CASSETTE:	SRAM Red XG 1290
FRONT DERAILLEUR:	SRAM Red eTAP AXS
REAR DERAILLEUR:	SRAM Red eTAP AXS 12S
SHIFT LEVERS:	SRAM Red eTAP AXS

SPECIAL:

CHAINWHEEL RATIO:	2s; 48/35
CASSETTE RATIO:	12s; 10-11-12-13-14-15-16-17-19-21-24-28
SIZE BRAKE DISC	160 mm front 160 mm rear

