



# Datasheet CCT EVO Race Disc

For more informations visit [www.corratec.de](http://www.corratec.de)

## CCT EVO

### CCT EVO Race Disc

Frame: Corratec CCT EVO SL Disc

Components: Shimano Ultegra

Size: 46, 48, 51, 54, 57, 60

Colors:



#### TECHNOLOGIES

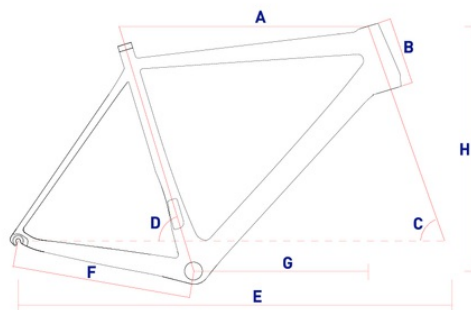


#### DESCRIPTION

- Light, stiff and aerodynamic **EPS NACA 0038** produced Toray carbon frame
- **Maximum power transmission** for demanding climbs
- **Pro Control Fork** - Aerodynamic optimized carbon fork
- **Pro Size 6 System** - Amazing size geometries adapted to the customer needs

#### FRAME

CM	A	B	C	D	E	F	G	H
46	516	119	71	75	974	407	373	518
48	534	130	73	74	973	407	381	534
51	551	144	73	74	978	407	386	550
54	569	153	73	73	991	407	399	558
57	585	178	73	73	1004	407	405	582
60	598	194	73	73	1017	407	413	598



#### EQUIPMENT

##### MAIN:

FRAME: Corratec CCT EVO SL Disc  
 FORK: Corratec Pro Control Disc Fork  
 BRAKES: Shimano Ultegra hydraulic Disc Brake front  
 Shimano Ultegra hydraulic Disc Brake rear  
 STEM: ZZYX SL Alloy Stem  
 HANDLE BAR: ZZYX SL Alloy Handlebar  
 SADDLE: Selle San Marco Aspide Carbon FX  
 SEAT POST: ZZYX Carbon Seatpost

##### DRIVE:

CHAINWHEEL: Rotor Vestag Spider  
 CASSETTE: Shimano Ultegra  
 FRONT DERAILLEUR: Shimano Ultegra  
 REAR DERAILLEUR: Shimano Ultegra 11s  
 SHIFT LEVERS: Shimano Ultegra

##### WHEELSET:

RIM: ZZYX SL Alloy Disc front  
 ZZYX SL Alloy Disc rear  
 TIRE: Continental Grand Prix front  
 Continental Grand Prix rear

##### SPECIAL:

CHAINWHEEL RATIO: 2s; 50/34  
 CASSETTE RATIO: 11s; 11-12-13-14-15-17-19-21-24-27-30  
 SIZE BRAKE DISC: 160 mm front  
 160 mm rear

