



Datasheet CCT Team Race

For more informations visit www.corratec.de



CCT Team Race

Weight from: 8,29 kg

Frame: Corratec CCT Team

Components: Shimano 105

Size: 46, 48, 51, 54, 57, 60

Colors:



TECHNOLOGIES



LOW PROFILE CHAINSTAY



PRO CONTROL FORK



PRO SIZE SYSTEM

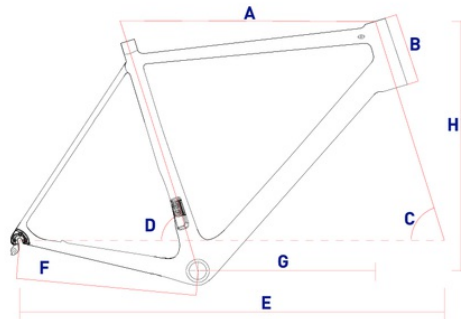


DESCRIPTION

- **Endurance Geometry** and sportive carriage for long marathons
- **Pro Size 6 System** - Amazing size geometries adapted to the customer needs
- **Pro Control Carbon Fork** - Excellent lateral stiffness, razorsharp turns and maximum shock relief for more energy

FRAME

CM	A	B	C	D	E	F	G	H
46	519	121	71	75	976	407	375	520
48	537	133	73	74	976	407	383	536
51	555	149	73	74	982	407	391	554
54	570	160	73	73	992	407	398	564
57	589	182	73	73	1009	407	408	586
60	604	203	73	73	1109	407	418	606



EQUIPMENT

MAIN:

FRAME:	Corratec CCT Team
FORK:	Corratec Pro Control Fork
BRAKES:	Shimano 105 front Shimano 105 rear
STEM:	ZZYX SL Alloy
HANDLE BAR:	ZZYX SL Alloy Handlebar
SADDLE:	Fizik Antares R7
SEAT POST:	ZZYX Twin Bolt

WHEELSET:

RIM:	ZZYX Race Attack 2.0 front Mach1 Race Attack 2.0 rear
TIRE:	Continental Grand Prix front Continental Grand Prix rear

DRIVE:

CHAINWHEEL:	Shimano FC-RS 510
CASSETTE:	Shimano 105
FRONT DERAILLEUR:	Shimano 105
REAR DERAILLEUR:	Shimano 105 11s
SHIFT LEVERS:	Shimano 105

SPECIAL:

CHAINWHEEL RATIO:	2s; 50/34
CASSETTE RATIO:	11s; 11-12-13-14-15-17-19-22-25-28-32

