



Datasheet CCT EVO RACE

For more informations visit www.corratec.de

CCT EVO

CCT EVO RACE

Weight from: 7,51 kg

Frame: Corratec CCT Evo

Components: Shimano ULTEGRA

Size: 46, 48, 51, 54, 57, 60

Colors:



TECHNOLOGIES



PRO SIZE SYSTEM



PRO CONTROL FORK



LOW PROFILE CHAINSTAY



DIGITAL INTEGRATED INTELLIGENCE



EPS CARBON



TAPERED HEADTUBE

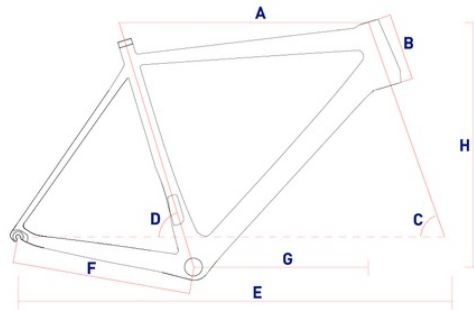
DESCRIPTION

Secret of Speed – the magic formula of the superfast CCT Evo is the light but brutally stiff carbon frame with superb aerodynamics. These characteristics make the CCT Evo to a very super sports machine.

- 2x11 Shimano ULTEGRA provide a huge range of gears.
- Super stiff Rotor 3d30 crank set.

FRAME

CM	A	B	C	D	E	F	G	H
46	516	119	71	75	974	407	373	518
48	534	130	73	74	973	407	381	534
51	551	144	73	74	978	407	386	550
54	569	153	73	73	991	407	399	558
57	585	178	73	73	1004	407	405	582
60	598	194	73	73	1017	407	413	598



EQUIPMENT

MAIN:

FRAME:	Corratec CCT Evo
FORK:	Corratec Pro Control Fork
BRAKES:	Shimano ULTEGRA Direct Mount front Shimano ULTEGRA Direct Mount rear
STEM:	ZYZX SL Alloy
HANDLE BAR:	ZYZX SL Alloy Handlebar
SADDLE:	Fizik Antares R7
SEAT POST:	ZYZX Twin Bolt

WHEELSET :

RIM:	ZYZX SL Alloy Road
TIRE:	Continental Grand Prix

DRIVE:

CHAINWHEEL:	Rotor Vegast Spider
CASSETTE:	Shimano ULTEGRA
FRONT DERAILLEUR:	Shimano Ultegra
REAR DERAILLEUR:	Shimano Ultegra 11s
SHIFT LEVERS:	Shimano ULTEGRA

SPECIAL:

CHAINWHEEL RATIO:	2s; 50/34
CASSETTE RATIO:	11s; 11-12-13-14-15-17-19-21-23-25-28

