



Datasheet CCT Team Pro Disc

For more informations visit www.corratec.de



CCT Team Pro Disc

Weight from: 8,54 kg

Frame: Corratec CCT Team Disc

Components: Shimano Ultegra

Size: 46, 48, 51, 54, 57, 60

Colors:



TECHNOLOGIES



LOW PROFILE CHAINSTAY



PRO CONTROL FORK



PRO SIZE SYSTEM

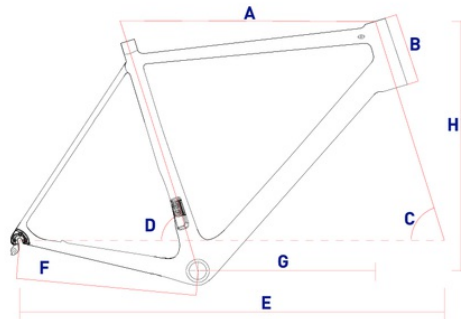


DESCRIPTION

- **Endurance Geometry** and sportive carriage for long marathons
- **Pro Size 6 System** - Amazing size geometries adapted to the customer needs
- **Pro Control Fork** - Excellent lateral stiffness, razorsharp turns and maximum shock relief for more energy

FRAME

CM	A	B	C	D	E	F	G	H
46	519	121	71	75	976	407	375	520
48	537	133	73	74	976	407	383	536
51	555	149	73	74	982	407	391	554
54	570	160	73	73	992	407	398	564
57	589	182	73	73	1009	407	408	586
60	604	203	73	73	1109	407	418	606



EQUIPMENT

MAIN:

FRAME:	Corratec CCT Team Disc
FORK:	Corratec Pro Control Disc Fork
BRAKES:	Shimano Ultegra hydraulic Disc Brake front Shimano Ultegra hydraulic Disc Brake rear
STEM:	ZYZX SL Alloy Stem
HANDLE BAR:	ZYZX SL Alloy Handlebar
SADDLE:	Selle San Marco Era
SEAT POST:	ZYZX Carbon Seatpost

WHEELSET:

RIM:	Mavic Ksyrium UST Black front Mavic Ksyrium UST Black rear
TIRE:	Continental Grand Prix front Continental Grand Prix rear

DRIVE:

CHAINWHEEL:	Rotor Vegast Spider
CASSETTE:	Shimano 105
FRONT DERAILLEUR:	Shimano Ultegra
REAR DERAILLEUR:	Shimano ULTEGRA 11s
SHIFT LEVERS:	Shimano Ultegra

SPECIAL:

CHAINWHEEL RATIO:	2s; 50/34
CASSETTE RATIO:	11s; 11-12-13-14-15-17-19-22-25-28-32
SIZE BRAKE DISC	160 mm front 160 mm rear

