



Datasheet CCT EVO Pro Disc

For more informations visit www.corratec.de

CCT EVO

CCT EVO Pro Disc

Weight from: 7,9 kg

Frame: Corratec CCT EVO SL Disc

Components: Sram Force eTAP AXS

Size: 46, 48, 51, 54, 57, 60

Colors:



TECHNOLOGIES

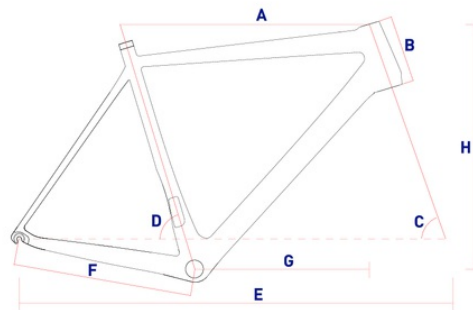


DESCRIPTION

- Light, stiff and aerodynamic **EPS NACA 0038** produce Toray carbon frame
- **Maximum power transmission** for demanding climbs
- **Pro Control Fork** - Aerodynamic optimized carbon fork
- **Pro Size 6 System** - Amazing size geometries adapted to the customer needs

FRAME

CM	A	B	C	D	E	F	G	H
46	516	119	71	75	974	407	373	518
48	534	130	73	74	973	407	381	534
51	551	144	73	74	978	407	386	550
54	569	153	73	73	991	407	399	558
57	585	178	73	73	1004	407	405	582
60	598	194	73	73	1017	407	413	598



EQUIPMENT

MAIN:

FRAME: Corratec CCT EVO SL Disc
 FORK: Corratec Pro Control Disc Fork
 BREAKES: SRAM Force eTAP hydraulic Disc front
 SRAM Force eTAP hydraulic Disc rear
 STEM: ZZYX SL Alloy Stem
 HANDLE BAR: ZZYX SL Alloy Handlebar
 SADDLE: Selle San Marco Aspide Carbon FX
 SEAT POST: ZZYX Carbon Seatpost

DRIVE:

CHAINWHEEL: SRAM Force DUB
 CASSETTE: SRAM Force
 FRONT DERAILLEUR: SRAM Force eTAP AXS
 REAR DERAILLEUR: SRAM Force eTAP AXS
 SHIFT LEVERS: SRAM Force eTAP AXS

WHEELSET:

RIM: Mavic Cosmic Elite UST Disc front
 Mavic Cosmic Elite UST Disc rear
 TIRE: Continental GP5000 front
 Continental GP5000 rear

SPECIAL:

CHAINWHEEL RATIO: 2s; 48/35
 CASSETTE RATIO: 12s; 10-11-12-13-14-15-16-17-19-21-24-28
 SIZE BRAKE DISC: 160 mm front
 160 mm rear

