



# Datasheet Revolution iLink Pro

For more informations visit [www.corratec.de](http://www.corratec.de)

## Revolution iLink Pro

Weight from: 12,4 kg

Frame: Corratec Revolution iLink

Components: Shimano Deore XT

Size: 44, 48, 52

Colors:



### TECHNOLOGIES

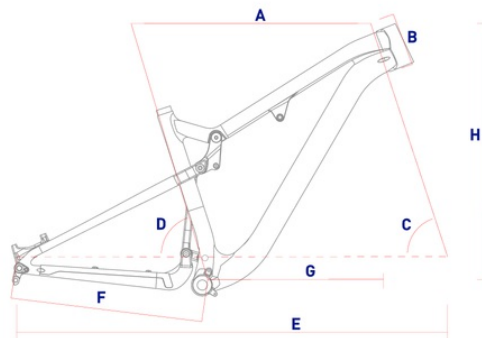


### DESCRIPTION

- Patented Inside Link VPP-Kinematik
- 120mm Travel
- CustomTune FOX Shock & Fork
- Optimized for 1x12 Boost Standard
- Outstanding Inside Link Technology for tight rear angle at any time without lockout.
- The perfect device for long Allmountain tours and crossing the Alps.
- Frame with Boost standard - Light and stiff at the same time.

### FRAME

CM	A	B	C	D	E	F	G	H
44	589	101	68	75	1144	435	445	610
48	616	108	68	75	1171	435	460	615
52	632	124	68	75	1192	435	475	630



### EQUIPMENT

#### MAIN:

FRAME:	Corratec Revolution iLink
FORK:	Fox 34 Float SC Performance Boost
FULLY DAMPER:	Fox Float DPX-2 Performance
BREAKES:	Shimano Deore XT front Shimano Deore XT rear
STEM:	ZYZX SL Alloy
HANDLE BAR:	ZYZX SL Alloy Handlebar
SADDLE:	Fizik Taiga
SEAT POST:	Kindshock RAGEi

#### WHEELSET:

RIM:	DT Swiss M 1900 Spline 29 front DT Swiss M 1900 Spline 29 rear
TIRE:	Schwalbe Nobby Nic front Schwalbe Nobby Nic rear

#### DRIVE:

CHAINWHEEL:	Shimano Deore XT
CASSETTE:	Shimano DEORE SLX 12S
REAR DERAILLEUR:	Shimano DEORE XT 12S
SHIFT LEVERS:	Shimano Deore XT

#### SPECIAL:

CHAINWHEEL RATIO:	1s; 32
CASSETTE RATIO:	12s; 10-12-14-16-18-21-24-28-33-39-45-51
FORK SUSPENSION TRAVEL:	120 mm

FULLY SUSPENSION  
TRAVEL:

120 mm

SIZE BRAKE DISC

180 mm front

180 mm rear

