



Datasheet E-Allroad Fazua

For more informations visit www.corratec.de

eALLROAD

E-Allroad Fazua

Weight from: 14,9 kg

Frame: Corratec E-Road Gravel

Components: Fazua evation 1.0

Size: 46, 51, 56, 61

Colors:



TECHNOLOGIES

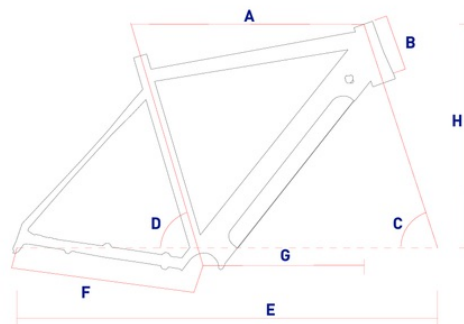


DESCRIPTION

- The allrounder among the e-roadbikes with only 14.9 kg
- Fazua integrated engine
- Low center of gravity wheels 700x45C or 650B 2.0"
- The battery can be removed and the "E-Allroad" can be ridden like a normal bike

FRAME

CM	A	B	C	D	E	F	G	H
46	542	130	70	75	1052	440	387	556
51	551	145	70	74	1052	440	382	570
56	576	180	70	74	1079	440	397	603
61	601	200	70	74	1105	440	417	622



EQUIPMENT

MAIN:

FRAME:	Corratec E-Road Gravel
FORK:	Corratec Pro Control Disc Fork
BREAKES:	SRAM Force Hydraulic Disc front SRAM Force Hydraulic Disc rear
STEM:	ZZYZX SL Alloy
HANDLE BAR:	ZZYZX SL Alloy Handlebar
SADDLE:	ZZYZX SL Sport
SEAT POST:	ZZYZX Twin Bolt

WHEELSET:

RIM:	ZZYZX 700C Disc front ZZYZX 700C Disc rear
TIRE:	Schwalbe G-ONE Allroad front Schwalbe G-ONE Allroad rear

DRIVE:

CHAINWHEEL:	ZZYZX E-Power Crank
CASSETTE:	SRAM Powerglide 1130
REAR DERAILLEUR:	SRAM Rival1
SHIFT LEVERS:	SRAM Rival1

SPECIAL:

CHAINWHEEL RATIO:	1s; 42
CASSETTE RATIO:	11s; 11-13-15-17-19-21-24-28-32-37-42
SIZE BRAKE DISC:	160 mm front 160 mm rear
ENGINE:	Fazua evation 1.0
BATTERY:	Fazua evation 1.0

