



# Datasheet E-Power X Vert EXPERT 29 Gent

For more informations visit [www.corratec.de](http://www.corratec.de)

## EPOWER X VERT

### E-Power X Vert EXPERT 29 Gent

Frame: Corratec E-Power X Vert 29

Components: Shimano DEORE XT

Size: 39, 44, 49, 54, 57

Colors:



#### TECHNOLOGIES



INTEGRATED ENGINE TECHNOLOGY  
Performance Line CX



LOW PROFILE CHAINSTAY



SHADOW EDGE TUBE



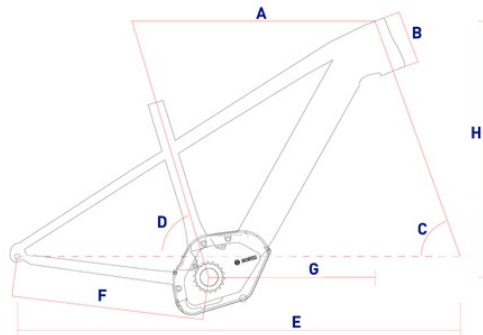
#### DESCRIPTION

Due to the powerful Bosch engine, the E-Power X-Vert 29 become a real rocket on the trails. The huge 29 inch wheels provide comfort and security. The battery disappears inside the down tube but can be removed for charging easily.

- Hydraulic disc breaks for perfect breaking performance.
- Reliable DEORE XT shifting.

#### FRAME

CM	A	B	C	D	E	F	G	H
39	590	130	68	74	1170	485	408	636
44	600	130	68	74	1180	485	418	636
49	620	130	68	74	1200	485	438	636
54	635	130	68	74	1215	485	453	636
57	645	130	68	74	1225	485	463	636



#### EQUIPMENT

##### MAIN:

FRAME:	Corratec E-Power X Vert 29
FORK:	SR Suntour XCR Air
BREAKES:	Tektro HDM275 front Tektro HDM275 rear
STEM:	ZZYZX SL Alloy
HANDLE BAR:	ZZYZX SL Alloy Handlebar
SADDLE:	ZZYZX Sports Comfort Saddle
SEAT POST:	ZZYZX SL Alloy

##### WHEELSET:

RIM:	ZZYZX Cross Attack 29
TIRE:	Continental X-King 2.4 Performance

##### DRIVE:

CHAINWHEEL:	ZZYZX E-Power Crank
CASSETTE:	G. Falcon CS-1042
REAR DERAILLEUR:	Shimano DEORE XT 10s
SHIFT LEVERS:	Shimano DEORE

##### SPECIAL:

CHAINWHEEL RATIO:	1s; 16
CASSETTE RATIO:	10s; 11-13-15-18-21-24-28-32-37-42
FORK SUSPENSION TRAVEL:	100 mm
SIZE BRAKE DISC:	180 mm front 180 mm rear
ENGINE:	BOSCH Performance
BATTERY:	BOSCH Power Tube 500 Wh

