



Datasheet LifeS AP5

For more informations visit www.corratec.de

LifeS

LifeS AP5

Weight from: 23,52 kg

Frame: Corratec LifeS 2018

Components: Shimano NEXUS

Size: Uni

Colors:



TECHNOLOGIES

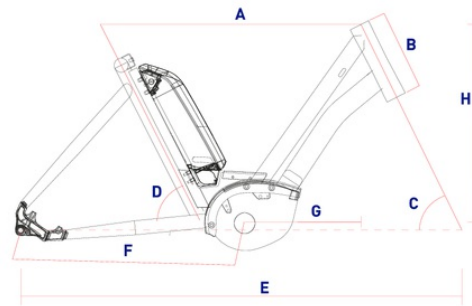
DESCRIPTION

The corratec LifeS AP5 with the 500Wh battery and the highly economical Bosch Active Plus engine fits not only for the city, but also for small e-trkking tours is the bike the perfect choice. With high quality Ergotec components and the wide Innova tires, the bike offers a pleasant, comfortable and safe riding behaviour at all times.

- One Size Frame
- Customized mud guards.
- Powerful Bosch Active Plus engine.

FRAME

CM	A	B	C	D	E	F	G	H
44	627	250	65	65	1131	550	280	523



EQUIPMENT

MAIN:

FRAME:	Corratec LifeS 2018
BREAKES:	Shimano Disc Brake MT200 front Shimano Disc Brake MT200 rear
STEM:	Ergotec Vorbau Cobra
HANDLE BAR:	Ergotec Bügel EWG
SADDLE:	Corratec Trekking Saddle
SEAT POST:	ZZYX Twin Bolt

WHEELSET:

RIM:	ZZYX Trekking
TIRE:	Innova 20 x 30"

DRIVE:

CHAINWHEEL:	ZZYX E-Power Crank
CASSETTE:	Shimano Nexus
SHIFT LEVERS:	Shimano NEXUS Revolver Shifter

SPECIAL:

CHAINWHEEL RATIO:	1s; 42T
CASSETTE RATIO:	8s; 18
SIZE BRAKE DISC	180 mm front 160 mm rear
ENGINE:	BOSCH Active Line Plus
BATTERY:	BOSCH PowerPack 500 Performance
LIGHTS:	AXA Compact Line 35

