

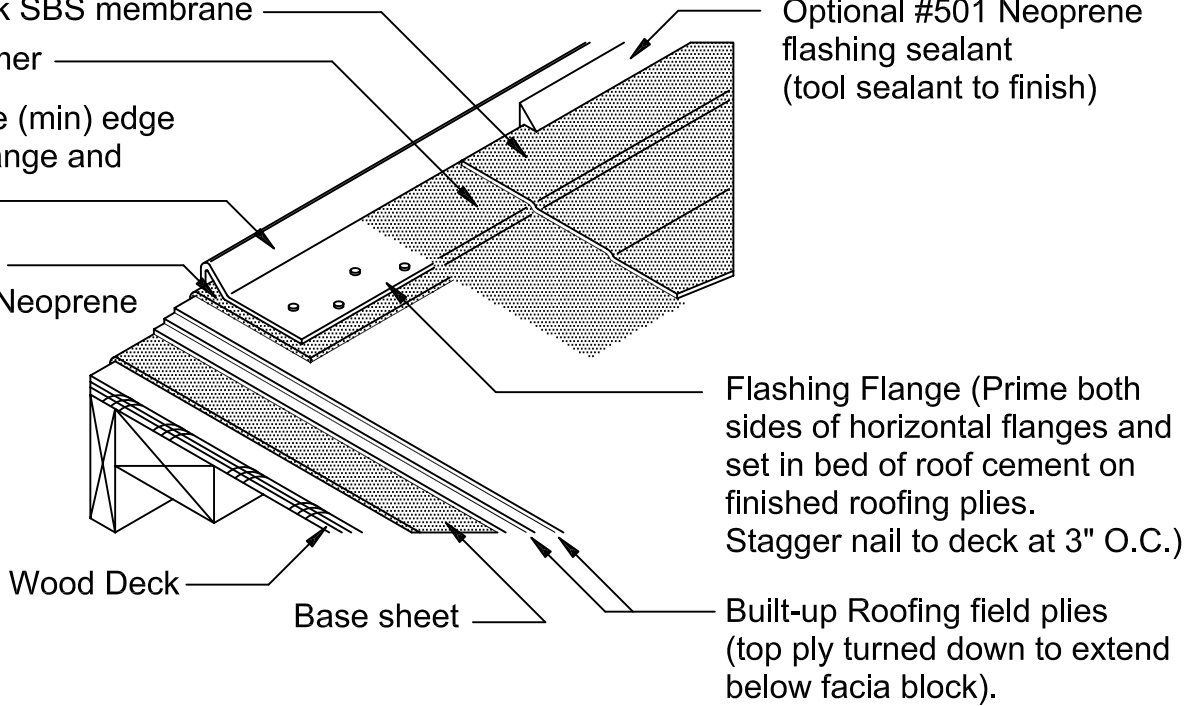
12" #567 Pro-Tack SBS membrane

#103 Asphalt Primer

Low rise 24 gauge (min) edge flashing with 4" flange and 2" face (min)

#100 Plastic Roof Cement or # 501 Neoprene flashing cement

Optional #501 Neoprene flashing sealant (tool sealant to finish)

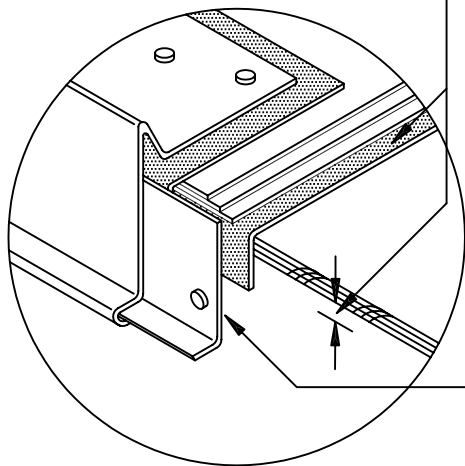


Flashing Flange (Prime both sides of horizontal flanges and set in bed of roof cement on finished roofing plies. Stagger nail to deck at 3" O.C.)

Wood Deck

Base sheet

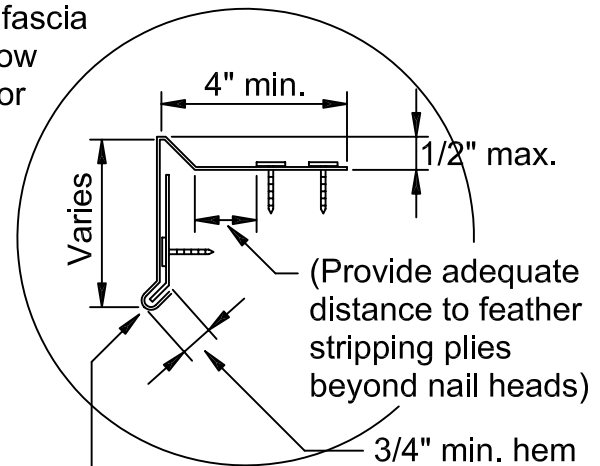
Built-up Roofing field plies (top ply turned down to extend below fascia block).



ISOMETRIC

Base sheet (turn down top ply of membrane over vertical fascia to extend approx. 1" below outer edge of roof deck or wood blocking Stagger nail at 6" O.C.)

Continuous cleat or individual clips (Fasten low and securely. Min. 3/4" engagement recommended).



GRAVEL-STOP FLASHING

4" min. 1/2" max.

Varies

(Provide adequate distance to feather stripping plies beyond nail heads)

3/4" min. hem