

Prime both sides of flange and set flange in a bed of #501 Neoprene or #100 Cement as specified. Nail to deck 3" o/c.

Sloped top parapet wall (e.g. bevel cedar siding, nail or screw to wood nailer)

Treated wood nailer (mechanically attach to wall as required)

Concret wall (prime with asphalt primer)

3" cant strip

Wood roof deck

Base sheet (mechanically attach as required)

Sheet metal coping with 1/4" Drip

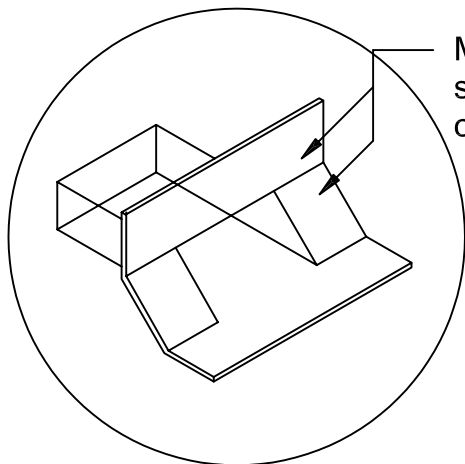
Membrane wall flashing (fasten 8" O.C. to top of wall. Extend onto roof surface 4" min. beyond toe of cant strip)

#501 Neoprene Flashing Cement at membrane edge to-scupper intersection (apply after surface sheet is installed)

Granule-surfaced capsheet or Pro-Tack Flashing Primed Surface.

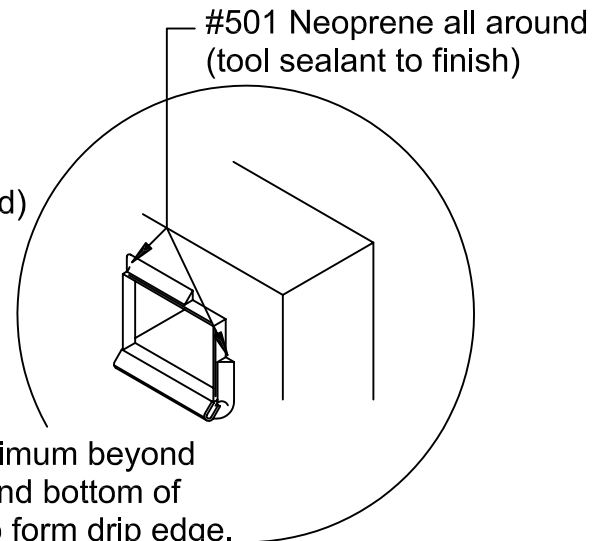
Min. of two (2) stripping plies (feather plies into scupper throat and onto field plies)

Built-up roofing (extend field plies 2" above cant strip or as option, feather field plies above cant).



SCUPER

Min. 4" flange, 6" preferred surrounding scupper opening. (All joints soldered)



EXTERIOR VIEW

Note:
Extend scupper 1" minimum beyond exterior wall surface, and bottom of scupper throat down to form drip edge.