

# Delta™

Children's Products

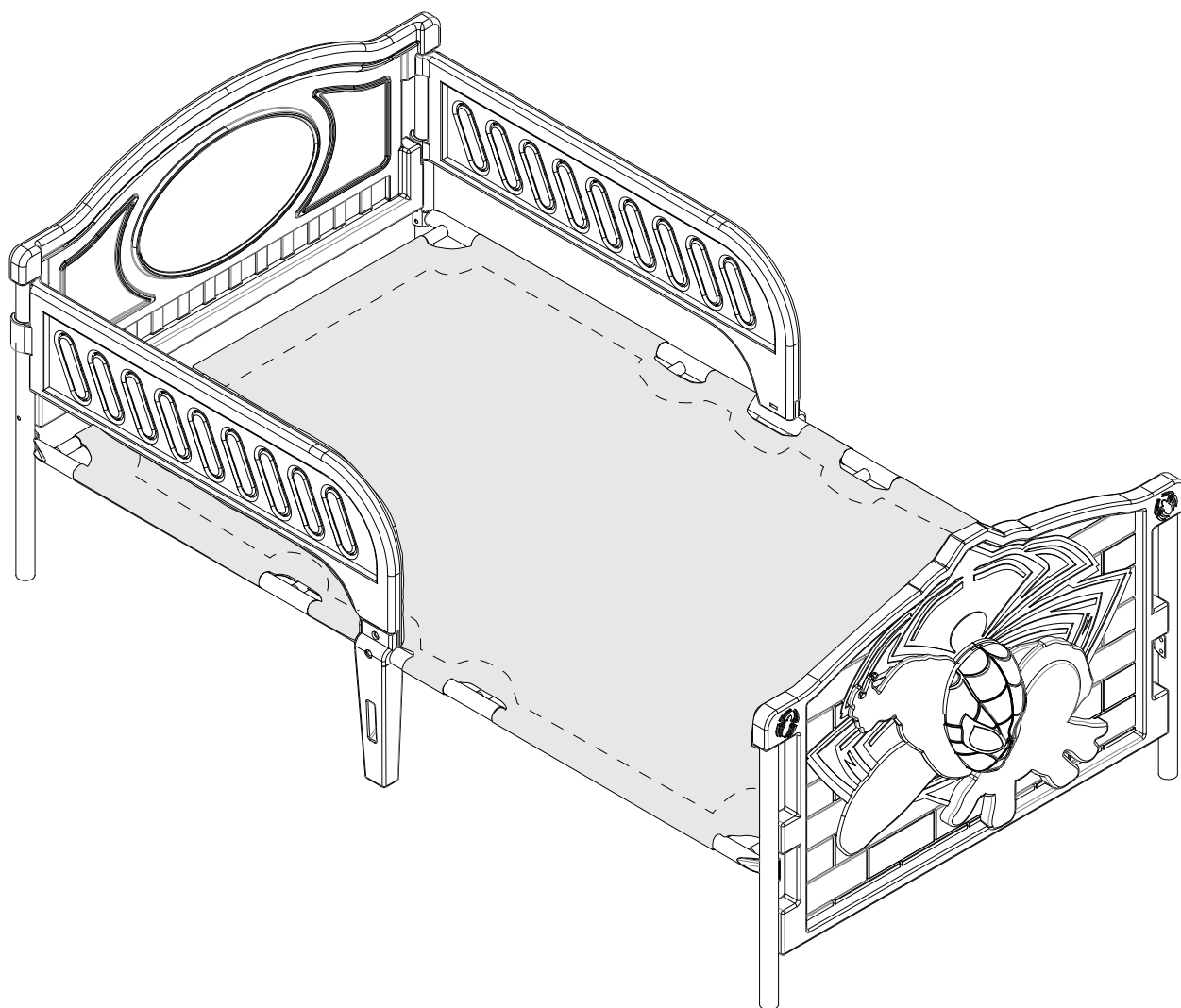
Read all instructions before assembly and use.  
**KEEP INSTRUCTIONS FOR FUTURE USE.**

**▲ ADULT ASSEMBLY REQUIRED**

Due to the presence of small parts during assembly, keep out of reach of children until assembly is complete.

## TWIN BED

Assembly Instructions



Consumer Care:  
[www.DeltaChildren.com](http://www.DeltaChildren.com)  
Delta Children's Products  
114 West 26th Street  
New York, NY 10001  
Tele.212-645-9033

When contacting Delta Consumer Care, please reference the information on the Product Information label found on the product.

**⚠ WARNING ENTRAPMENT/STRANGULATION HAZARD:**

Infants who cannot get in and out of a twin bed without help can be trapped between a mattress and a wall and suffocate. NEVER place infants in twin beds with or without guardrails in place. NEVER use bed with children under 2 years.

Never place bed near windows where cords from blinds or drapes may strangle a child.

Do not place items with a string, cord, or ribbon around a child's neck, such as hood strings or pacifier cords.

Do not suspend strings over a child's bed for any reason.

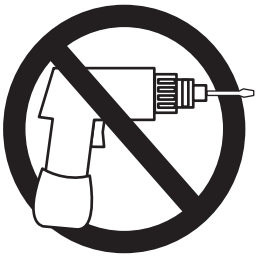
**⚠ CAUTION**

**ENTRAPMENT HAZARD**

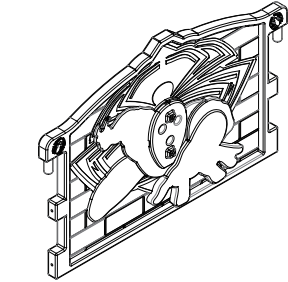
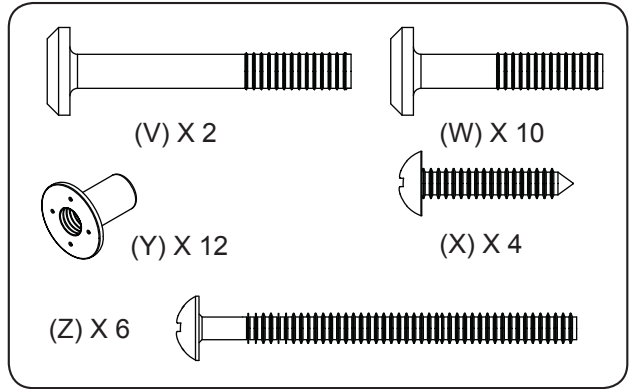
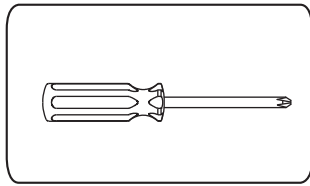
To avoid dangerous gaps, any mattress used in this bed shall be a standard twin bed mattress at least 75 in (1910mm) in length, 39 in (990mm) in width and 6 in (152mm) in thickness. Maximum recommended mattress thickness 7 7/8 in.(200mm).

DO NOT use this bed without a mattress.

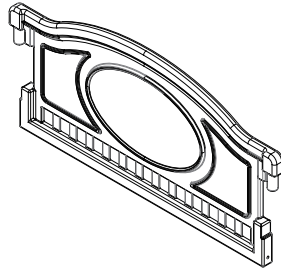
# PARTS



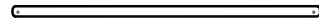
## Required Tools



(A) FOOTBOARD X 1



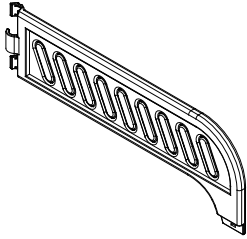
(B) HEADBOARD X 1



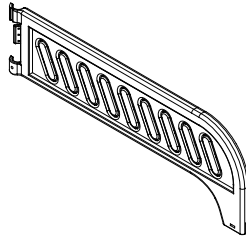
(H) CROSSBAR X 4



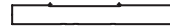
(K) LONG LEG X 2



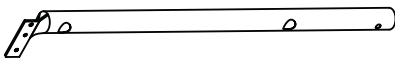
(C) LEFT SAFETY RAIL x 1



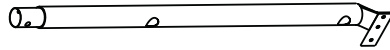
(D) RIGHT SAFETY RAIL x 1



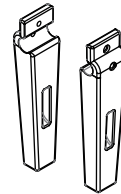
(L) SHORT LEG X 2



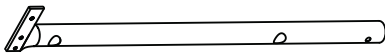
(F1) FEMALE BAR X 2



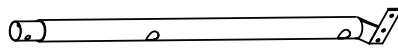
(E1) MALE BAR X 2



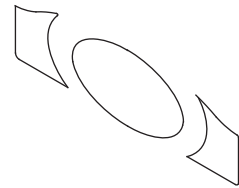
(J) CENTER LEG X 2



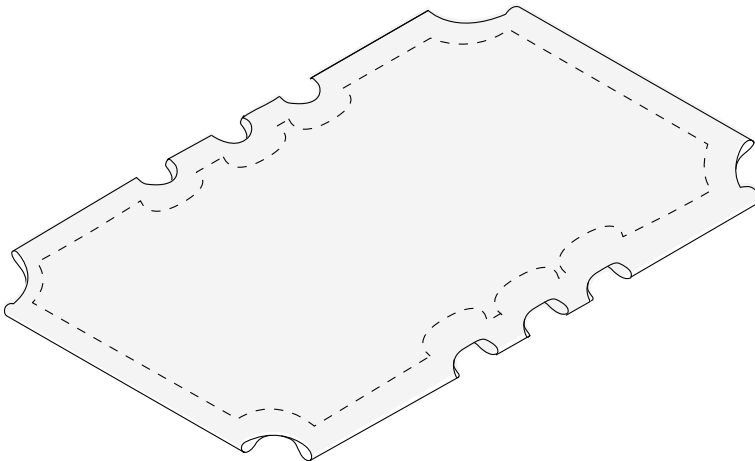
(F2) FEMALE BAR X 2



(E2) MALE BAR X 2



(L) HEADBOARD STICKERS



(M) FABRIC SUPPORT X 1

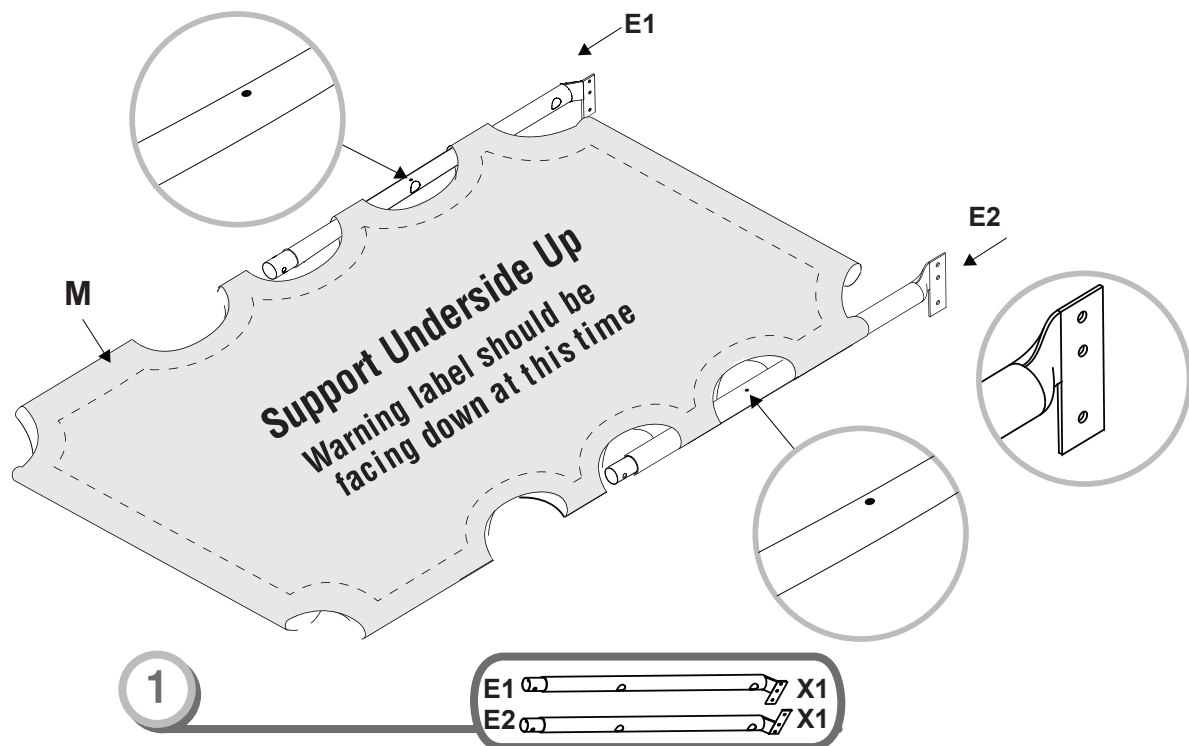


(N) FOOTBOARD STICKERS

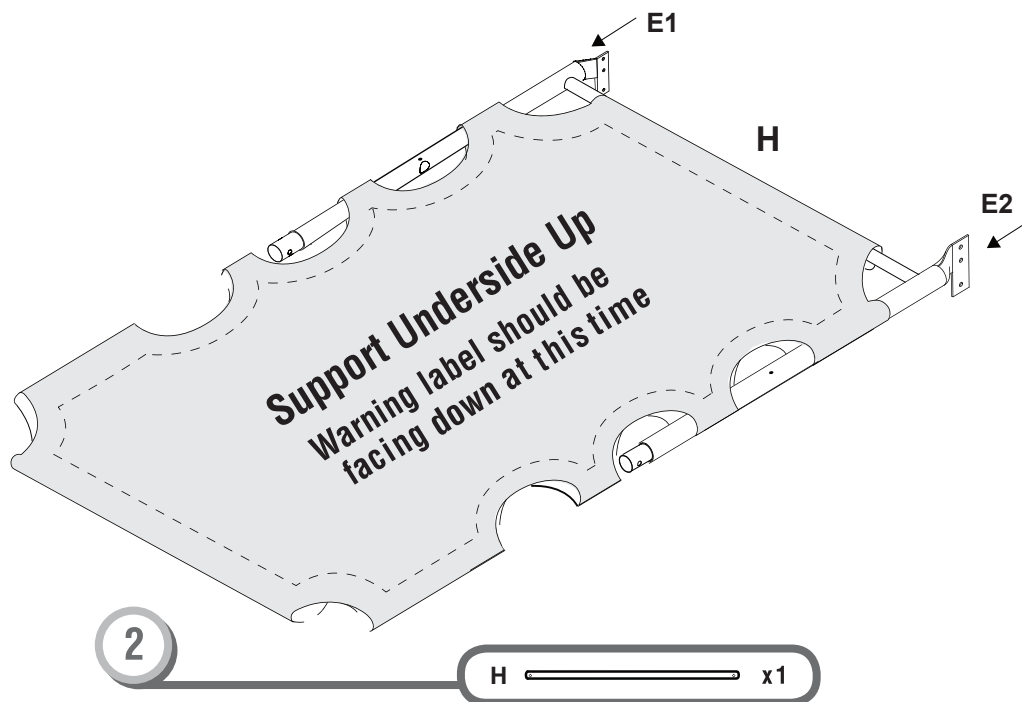


(P) MASK X 1

## Fabric mattress Support Assembly

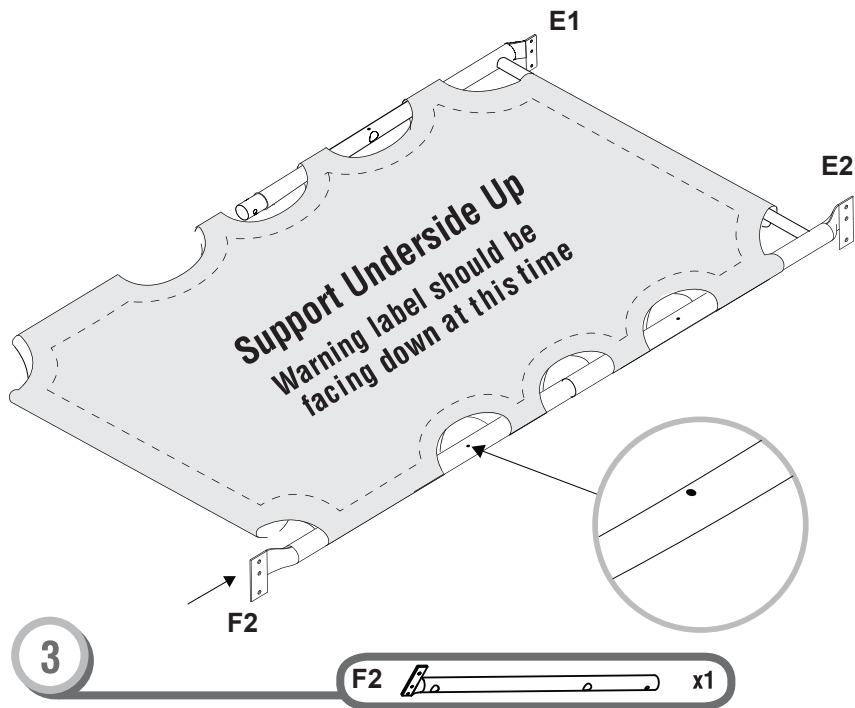


- With warning label facing down, Slide the two male bars (E1,E2) through the fabric tunnels.

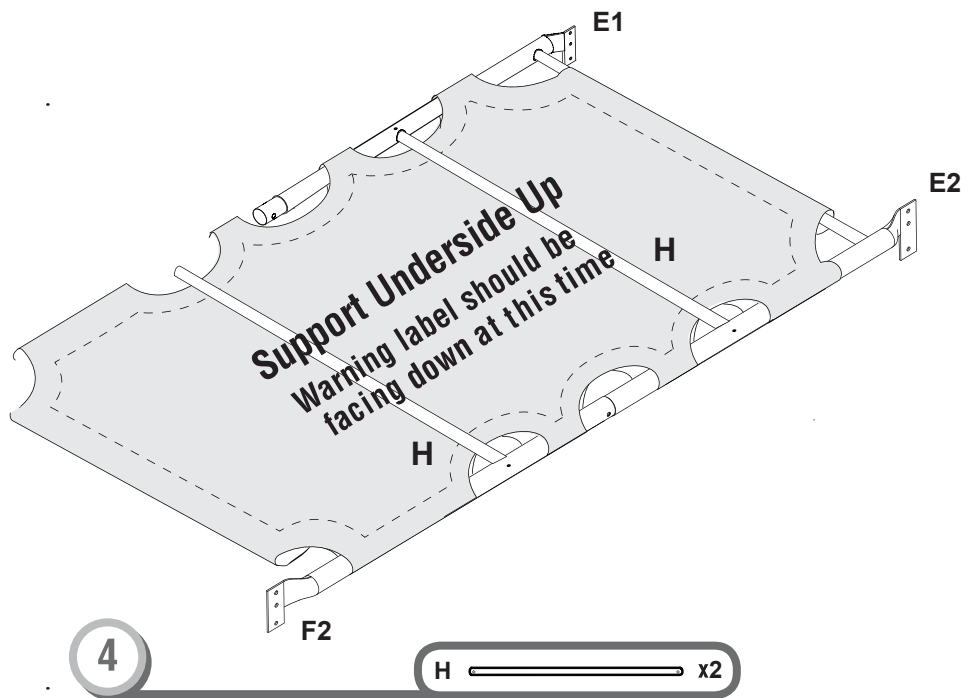


- Insert part (H) through fabric tunnel and into holes on the end of part (E1 , E2).

## Fabric mattress Support Assembly

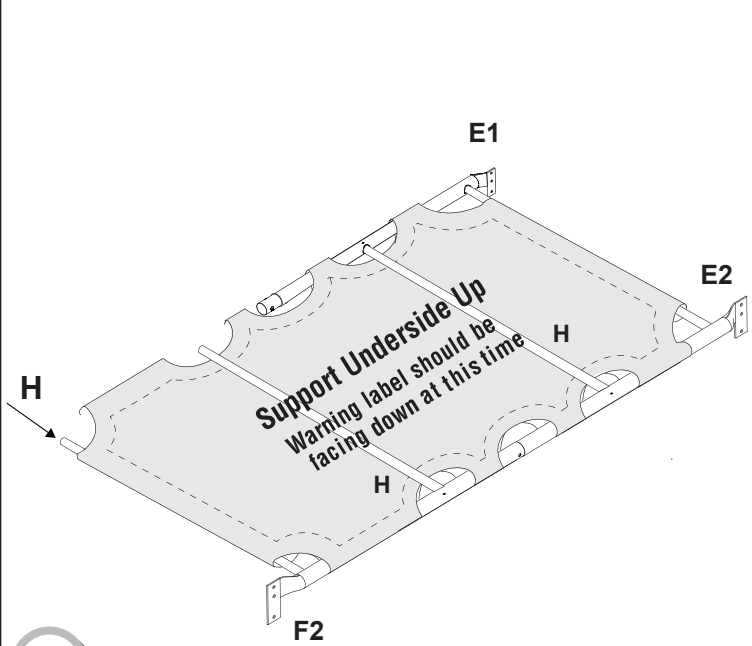


- Slide female bar (F2) through the fabric tunnel and connect with male bar (E2).



- On top of the fabric, Insert part (H) into center holes on (E,F) aligning the small holes.

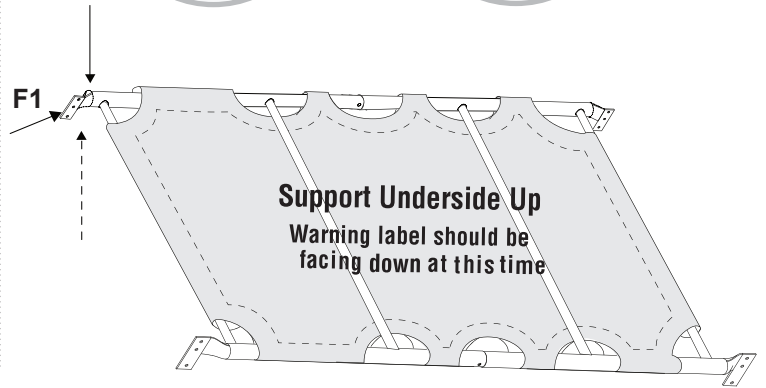
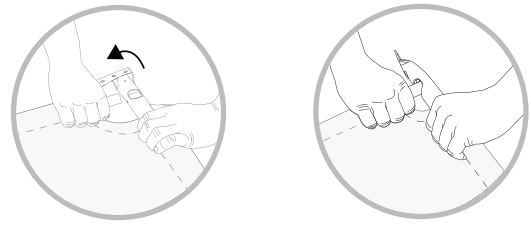
# Fabric mattress Support Assembly



5



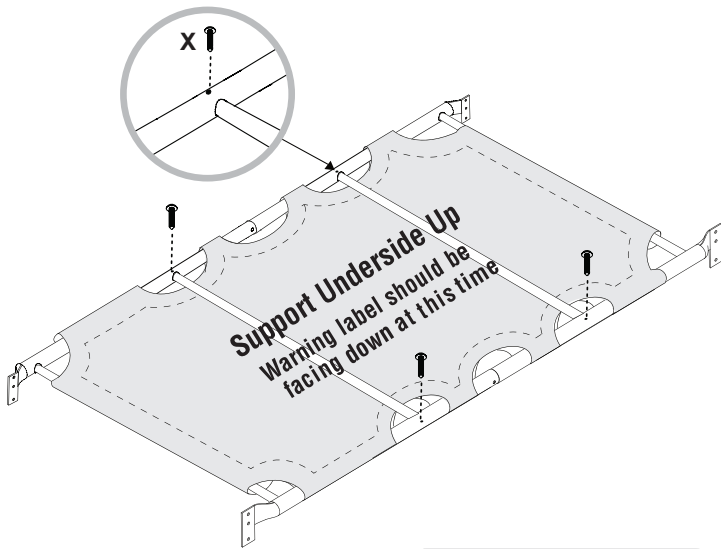
•Slide part (H) through fabric tunnel and into hole on part (F).



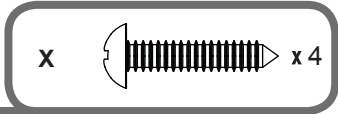
6



•Slide bar (F1) through the fabric tunnel and connect to male bar (E). Rotate bar (F1) inward until (H) and (F1) are joined.

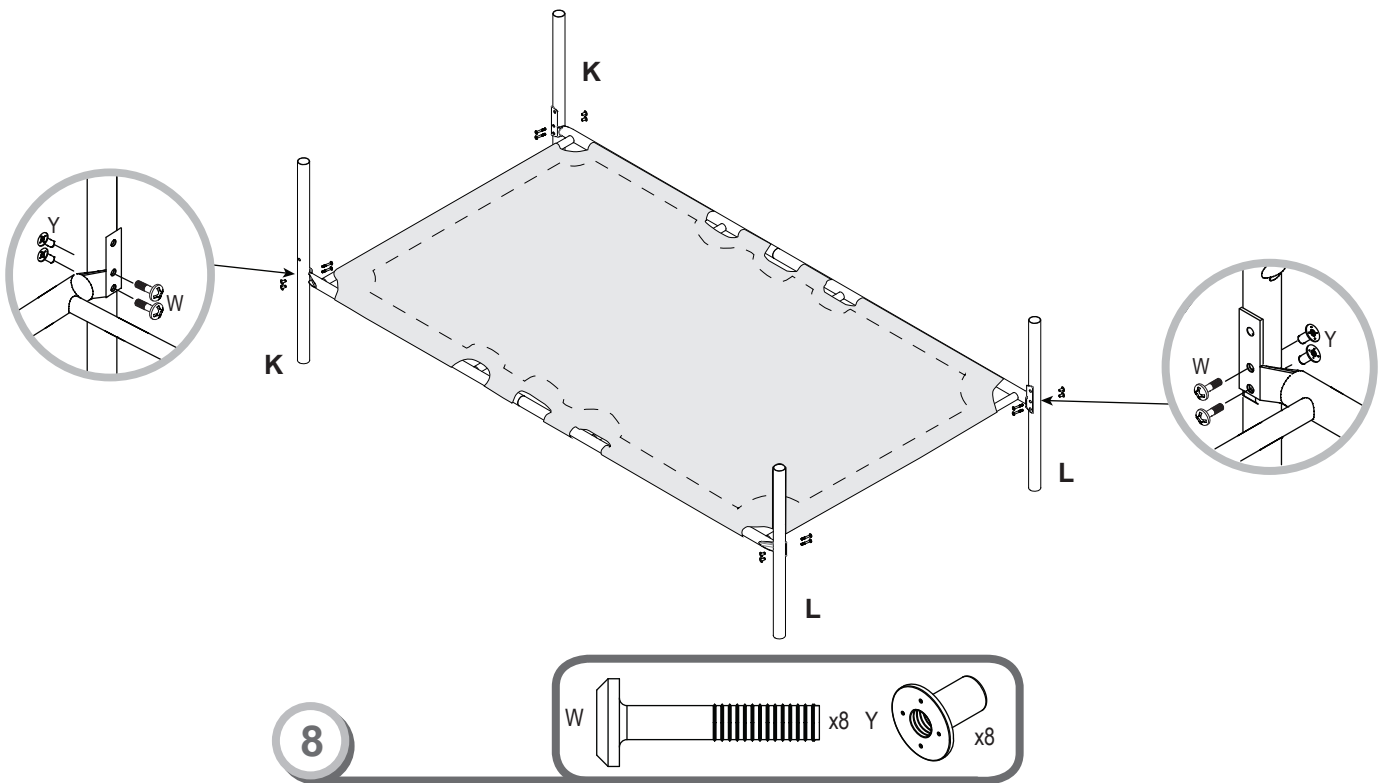


7

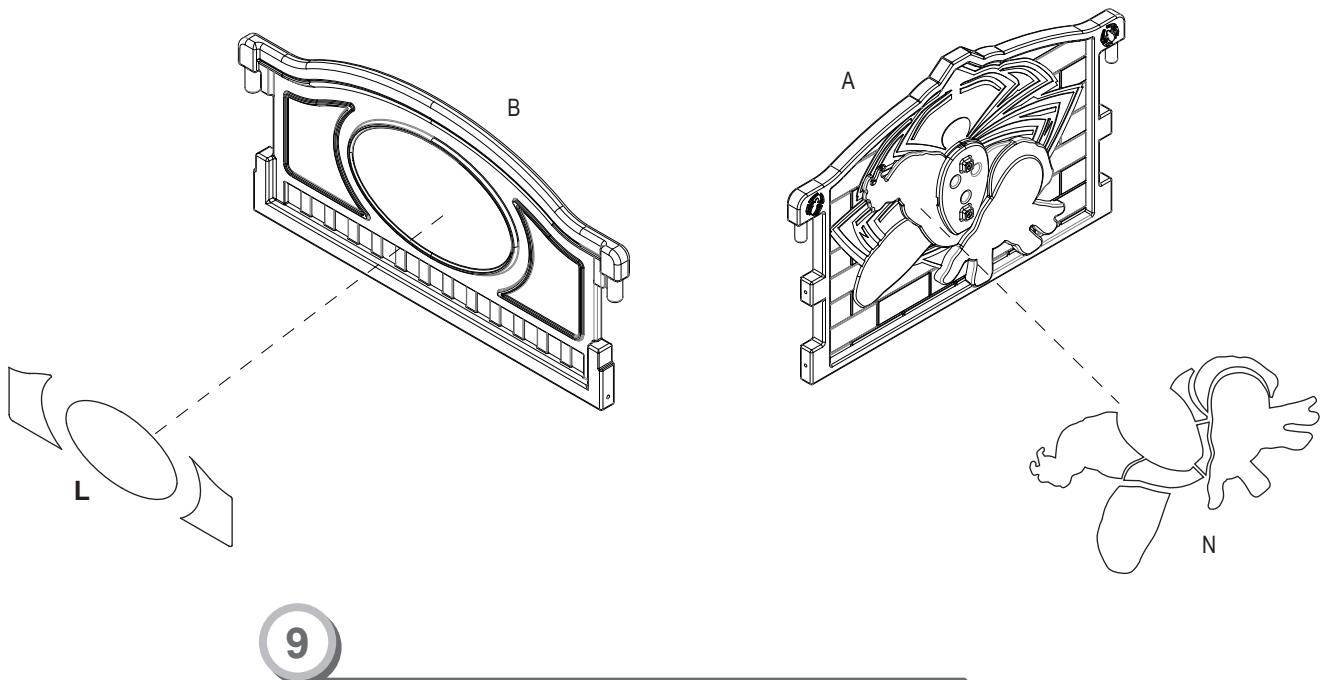


•Attach center cross bar (H) to both part (E,F) with 4 screws (X).

## Twin Bed Assembly

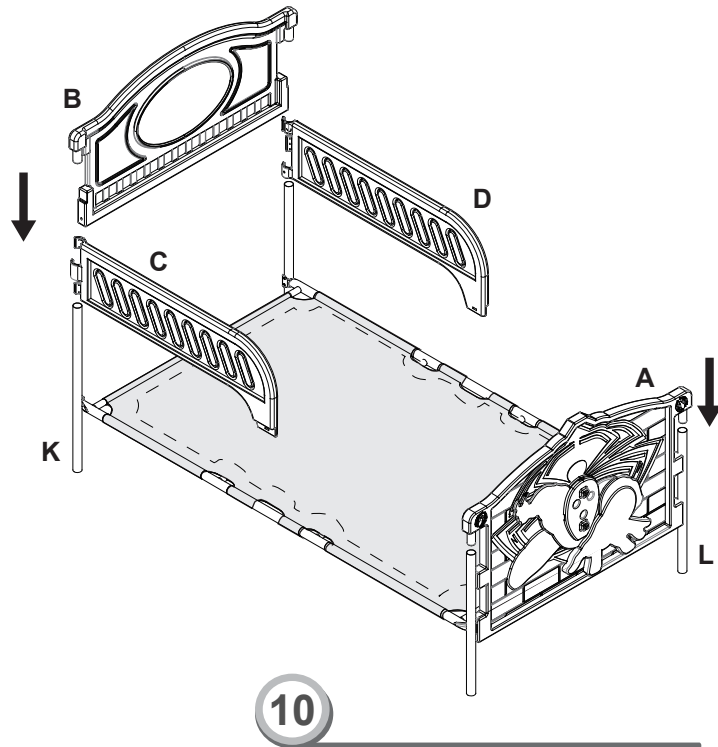


•With warning label facing up, make sure flat end of the frames are on the inside of the legs. Insert bolt (W) and nut(Y) into pre drilled holes on the frame.

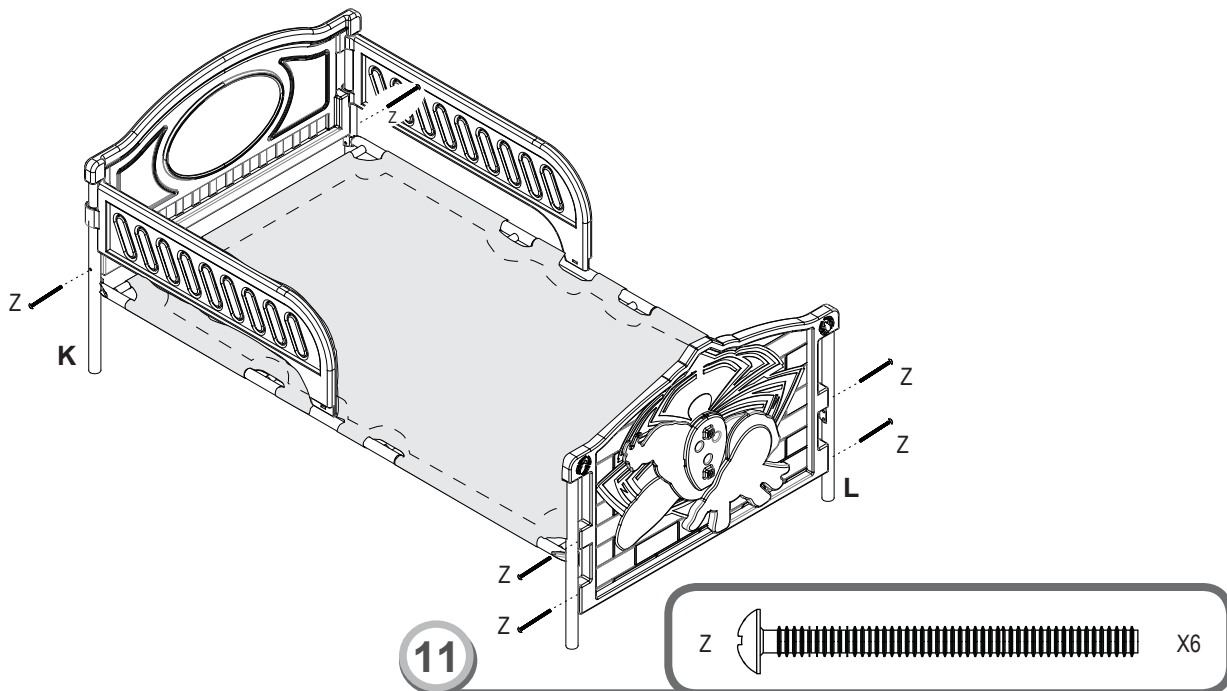


•Apply stickers as shown on color box.

## Twin Bed Assembly



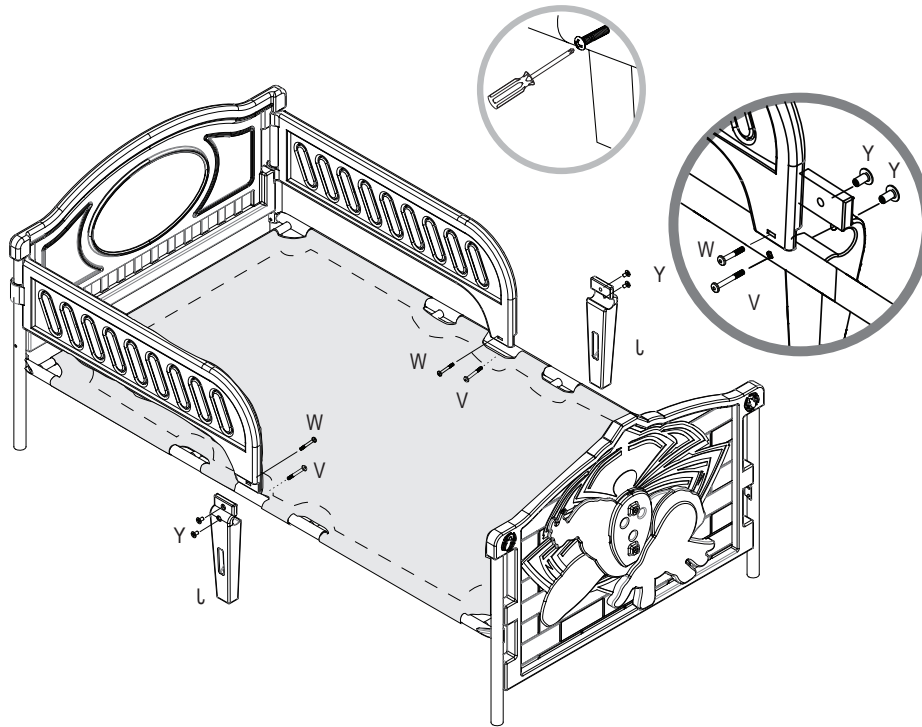
•Slide the footboard (A) to short leg (L),the headboard (B), left safety rail (C), right safety rail (D) to long leg (K), aligning hole in post with hole in Footboard,Headboard.



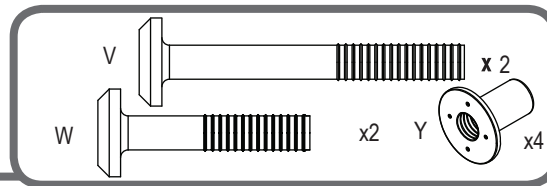
• Use bolt (Z) to connect parts together. Repeat on other side.



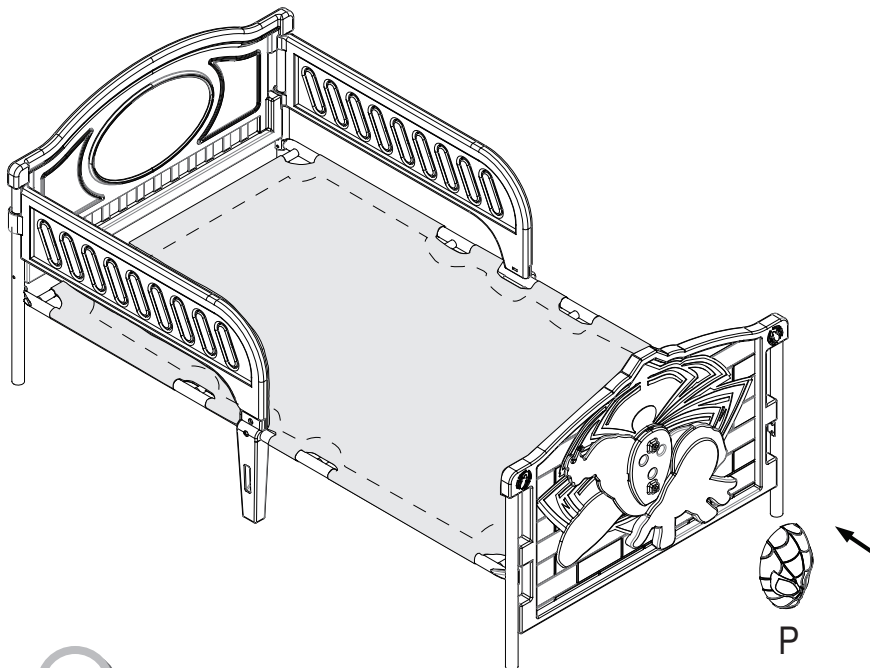
## Twin Bed Assembly



12



•Attach center leg (J) with lock nut (Y) and bolt (W,V).



13

•Attach mask to footboard. Mask is attached when you hear click sound.