

GV-EBL2100 Series 2MP H.264 Low Lux WDR IR Bullet IP Camera



- 1/2.8" progressive scan low lux CMOS
- Dual streams from H.264 and MJPEG
- Up to 25 fps at 1920 x 1080
- Intelligent IR
- Day and Night function (with removable IR-cut filter)
- Wide Dynamic Range (WDR)
- Defog
- Vandal resistance (IK10 for metal casing)
- Ingress protection (IP67)
- Motion detection
- Tampering alarm
- Text overlay
- Privacy mask
- IP address filtering
- DC 12V / PoE (IEEE 802.3af)
- Megapixel lens
- Recording assigned by GV-Edge Recording Manager (Windows & Mac)
- Supports iPhone, iPad, Android & 3GPP
- 31 languages on Web interface
- ONVIF (Profile S) conformant
- More storage option - NAS

Introduction

The Target Bullet Camera is a light-weighted cameras designed for outdoor environments. It adheres to the IP67 standard and has full protection against dust and jets of water. The camera offers an entry-level surveillance solution with all the essential features and excellent image quality.

Models

Model	Iris	Focal Length (mm)	Maximum Aperture	Image Format
GV-EBL2100-1F	Fixed	6	F/1.8	1/2.7"
GV-EBL2100-2F	Fixed	3.8	F/1.8	1/2.7"

Active Tampering Alarm

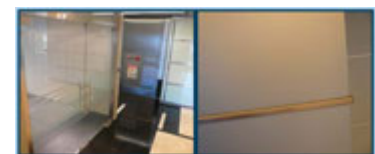
Tampered



Focus Change

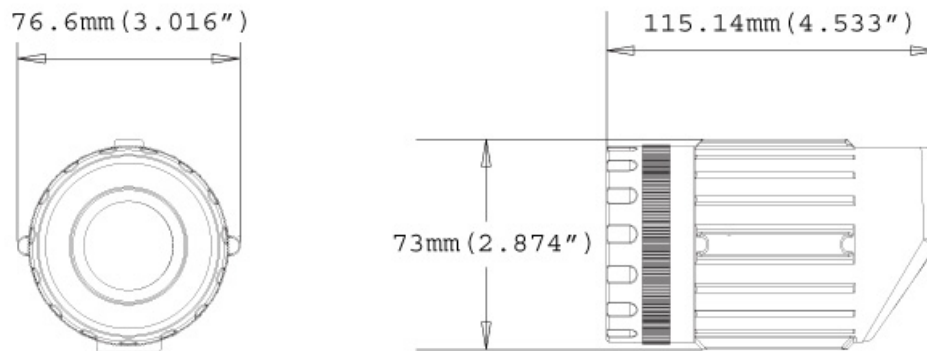


Camera Shift



Overview

Dimensions



Panel



Specifications

Camera		GV-EBL2100-1F	GV-EBL2100-2F
Image Sensor		1/2.8" progressive scan low lux CMOS	
Picture Elements		1920 (H) x 1080 (V)	
Minimum Illumination	Color	0.07 Lux	
	B/W	0.04 Lux	
	IR ON	0 Lux	
Shutter Speed		Automatic, manual (1/5 ~ 1/8000 sec.)	
White Balance		Automatic, manual (2800K ~ 8500K)	
Gain Control		Automatic	
S/N Ratio		48 dB	
WDR		Yes	
Dynamic Range		Up to 72 dB	
Lens			
Megapixel		Yes	
Day/Night		Yes (with removable IR-cut filter)	
Lens Type		Fixed	
Focal Length		6 mm	3.8 mm
Maximum Aperture		F/1.8	
Mount		M12, Pitch 0.5 mm	
Horizontal FOV		51°	72°
Image Format		1/2.7"	
Operation	Focus	Fixed	
	Zoom	Fixed	
	Iris	Fixed	

IR LED Quantity	24 IR LEDs	
Max. IR Distance	30 m (98.4 ft)	
Operation		
Video Compression	H.264, MJPEG	
Video Stream	Dual streams from H.264 and MJPEG	
Frame Rate	25 fps at 1920 x 1080 (60/50 Hz) *The frame rate and the performance may vary depending on the number of connections and data bitrates (different scenes).	
Image Setting	Brightness, Contrast, Saturation, Sharpness, Gamma, White Balance, Flicker-less, Image Orientation, Shutter Speed, D/N Sensitivity, Backlight Compensation, WDR, Defog	
Audio Support	No	
Video Resolution		
Main Stream	4 : 3	1280 x 960, 640 x 480, 320 x 240
	16 : 9	1920 x 1080 (Default), 1280 x 720, 640 x 360, 448 x 252
	5 : 4	1280 x 1024, 640 x 512, 320 x 256
Sub Stream	4 : 3	640 x 480, 320 x 240
	16 : 9	640 x 360, 448 x 252 (Default)
	5 : 4	640 x 512, 320 x 256
Network		
Interface	10/100 Ethernet	
Protocol	DHCP, DynDNS, FTP, HTTP, HTTPS, NTP, ONVIF (Profile S), QoS (DSCP), RTSP, SNMP, SMTP, TCP, UDP, UPnP, 3GPP/ISMA, IPv4, IPv6	
Mechanical		
Connectors	Power	2-pin terminal block, PoE
	Ethernet	Ethernet (10/100 Base-T), RJ-45 cable
General		
Environment Temperature	Start-up	-20°C ~ 50°C (-4°F ~ 122°F)
	Operation	-30°C ~ 50°C (-22°F ~ 122°F)
Humidity	10% to 90% (no condensation)	
Power Source	12V DC / PoE (IEEE 802.3af)	
Max. Power Consumption	7.8 W	
Dimensions	115 x 76 x 73 mm (4.5" x 3.0" x 2.9")	
Weight	547 g (1.20 lb)	
Ingress Protection	IP67	
Vandal Resistance	IK10 for metal casing	
Regulatory	CE, FCC, RCM, RoHS compliant	
Power over Ethernet		
PoE Standard	PoE (IEEE 802.3af Power over Ethernet / PD)	
PoE Power Supply Type	End-span	
PoE Power Output	Per Port 48V DC, 350mA, Max. 15.4 watts	
Web Interface		
Installation Management	Web-based configuration	
Maintenance	Firmware upgrade through Web Browser or Utility	
Access from Web Browser	Camera Live View, Video Recording, Change Video Quality, Bandwidth Control, Image Snapshot, Picture in Picture, Picture and Picture, Privacy Mask, Tampering Alarm, Text Overlay, Digital PTZ	
Language	Arabic / Bulgarian / Czech / Danish / Dutch / English / Finnish / French / German / Greek / Hebrew / Hungarian / Indonesian / Italian / Japanese / Lithuanian / Norwegian / Persian / Polish / Portuguese / Romanian / Russian / Serbian / Simplified Chinese / Slovakian / Slovenian / Spanish / Swedish / Thai / Traditional Chinese / Turkish	
Application		
Network Storage	GV-System (GV-DVR/NVR), GV-Recording Server, GV-VMS	
Smart Device Access	GV-Eye for Android smartphone, tablet, iPhone and iPod Touch GV-Eye HD for iPad	
Live Viewing	IE, mobile phone	
CMS Server support	GV-Control Center, GV-Center V2, GV-Vital Sign Monitor	

Note:


1. The signal range and data throughput may vary depending on the network conditions and environmental factors.
2. Specifications are subject to change without notice.

Packing List

- | | |
|----------------------------------|---------------------------------|
| 1. Target Bullet Camera | 7. Screw for sun-shield cover |
| 2. Sun-Shield Cover | 8. Washer |
| 3. Silica Gel Tape x 2 | 9. Terminal Block |
| 4. Supporting Rack | 10. GV-IPCAM H.264 Software DVD |
| 5. Screw for supporting rack x 3 | 11. GV-NVR Software DVD |
| 6. Screw anchor x 3 | 12. Warranty Card |

Note: The power adapter can be purchased upon request.

Accessories

Name	Details
<p>GV-PA191 PoE Adapter</p> 	<p>Weight: 130 g (0.29 lb) Dimensions (H x W x D): 43 x 69 x 40 mm (1.69" x 2.72" x 1.57")</p>
<p>Power Adapter</p>	<p>Contact your sales representative for the countries and areas supported.</p>
<p>GV-POE Switch</p>	<p>The GV-POE Switch is designed to provide power along with network connection for IP devices. The GV-POE Switch is available in various models with different numbers and types of ports.</p>