

SMART SPORTS TEK **SMART BACKSTOP®**



DESIGNED IN USA

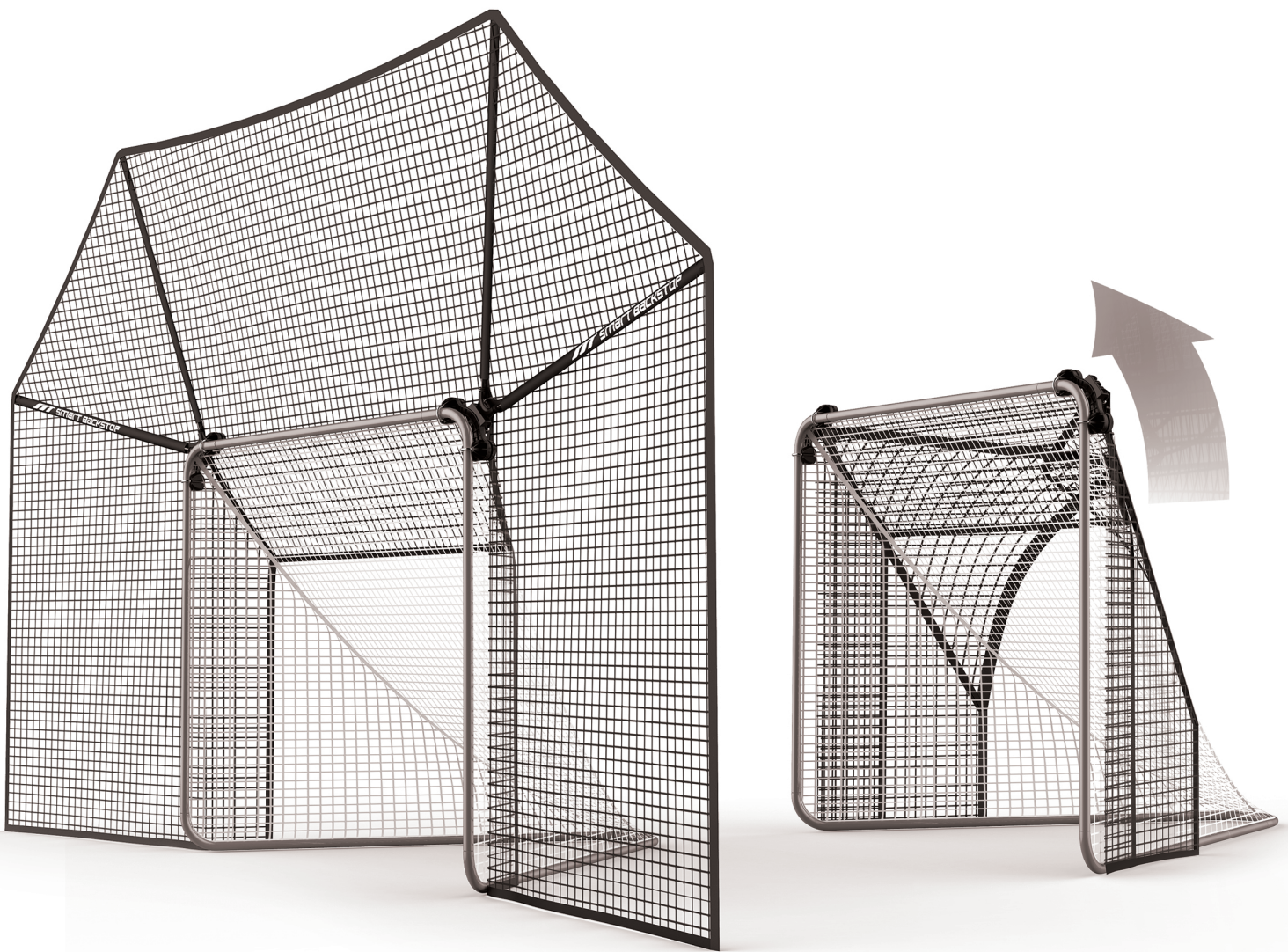
US Patent Numbers 7,963,865 B2 and 10,195,508 B2

Additional Patents Pending

FOR **LACROSSE**

Welcome to our Team.

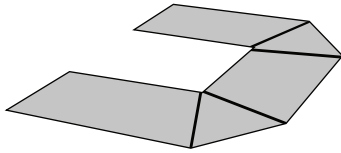
Congratulations on your new Smart Backstop® purchase. Please be sure to read and understand these instructions prior to use, always use common sense, and always wear protective gear during practice. You are one step closer to performing your best. Practice often, *PRACTICE SMART®*.



Contents:



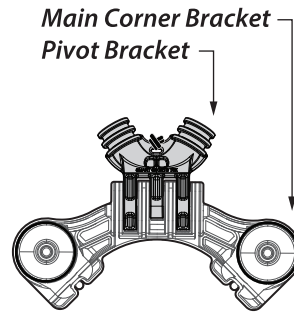
Instructions



(1) Netting



(4) Net Pole Sets

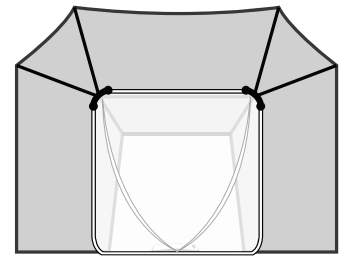


(2) Corner Bracket Assemblies

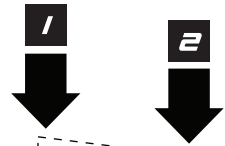
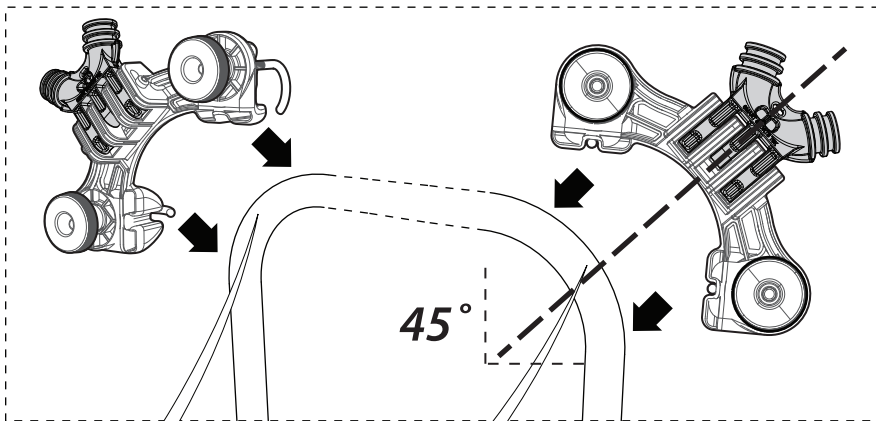


(1) Water Bag

We recommend assembling your Smart Backstop where you plan to use it. Choose a safe location in case shots miss the backstop completely or rebound off the goal.

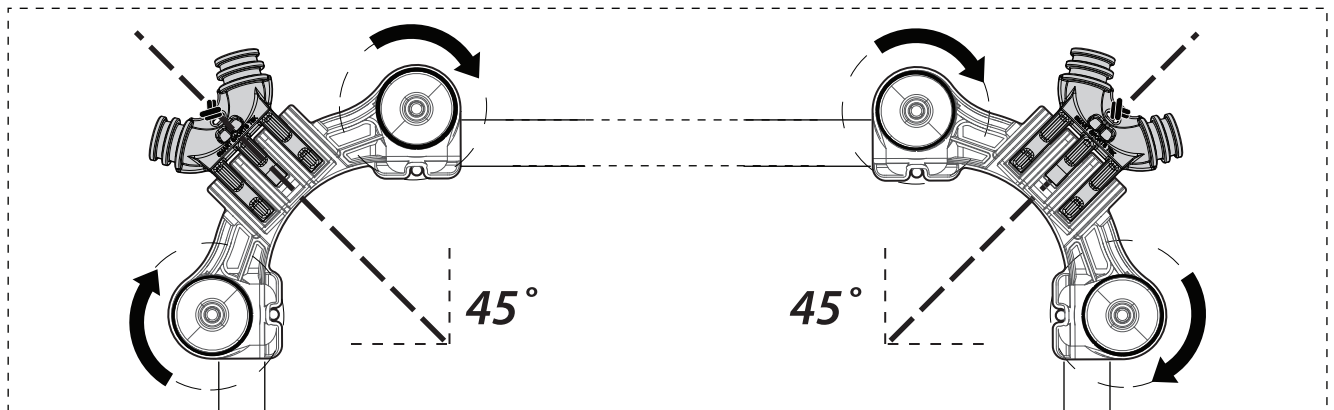


1 Attach brackets to rear goal corners. *Align at 45° as shown.*

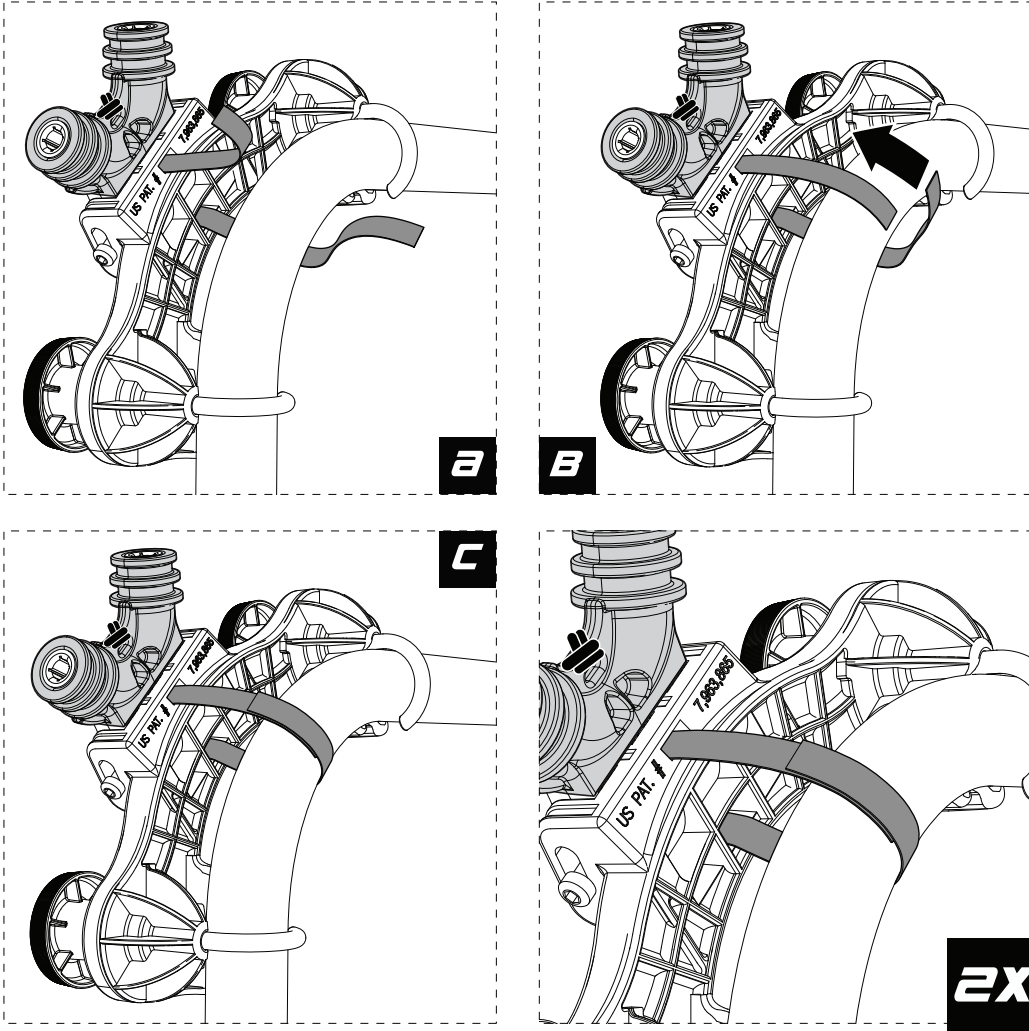


! Mount from rear of goal.

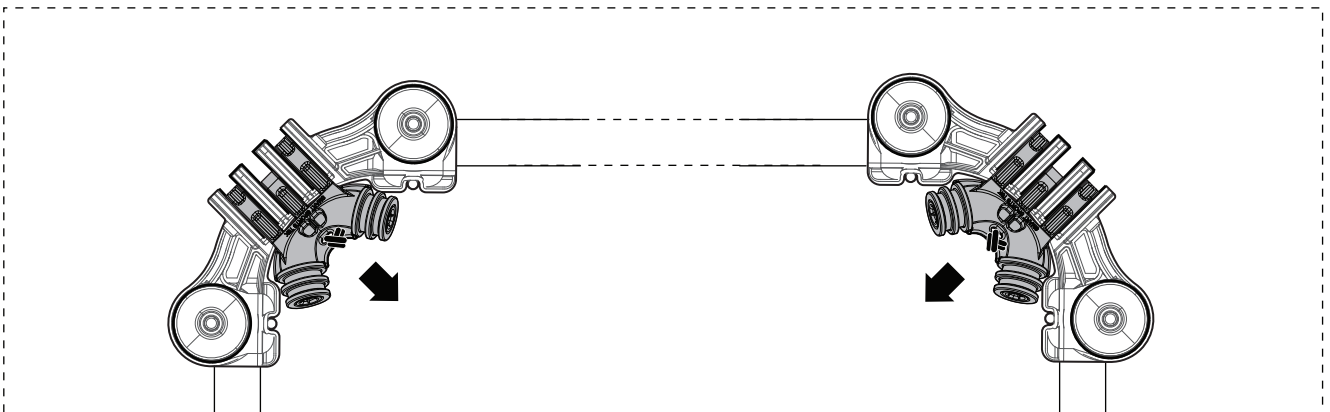
2 **!** Double check *45° alignment* and *firmly* tighten brackets.



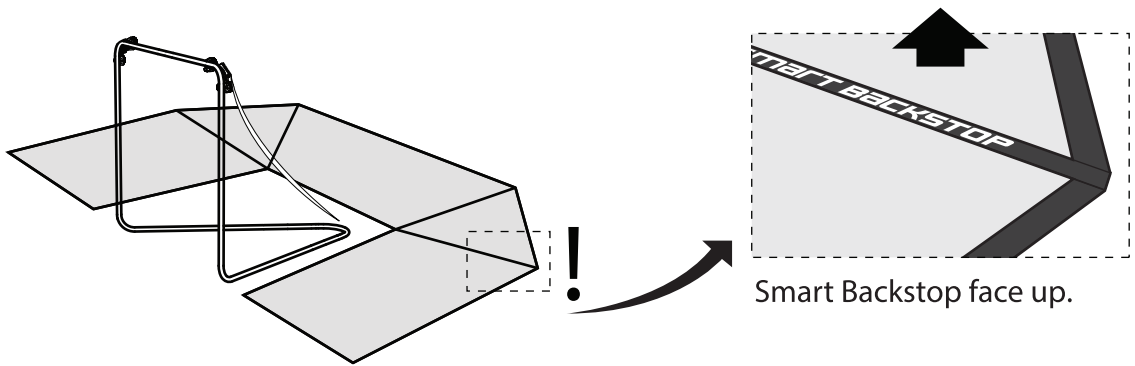
3 Fasten velcro straps snug, *no slack*.



4 Lift and rotate pivot brackets to *down* position.

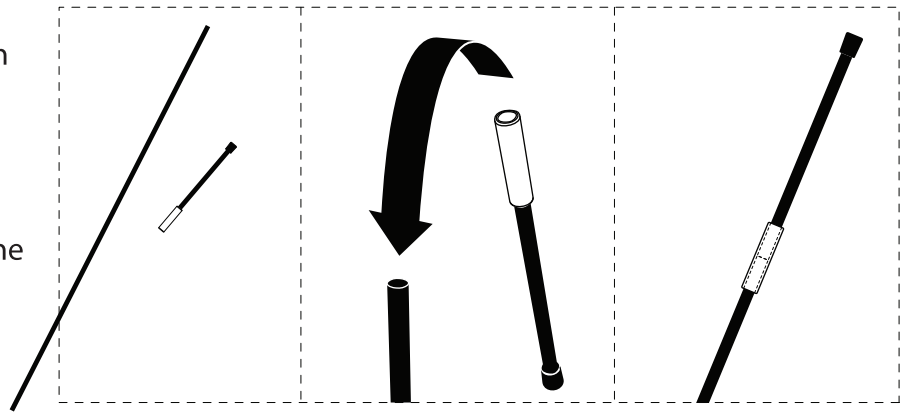


5 Spread net around rear goal.



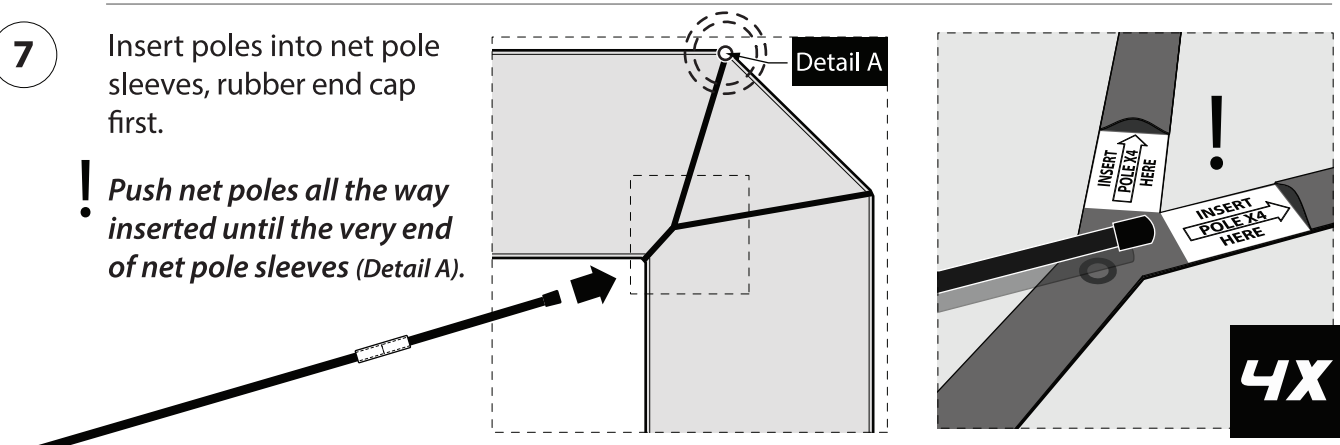
6 **Assemble net poles.**
Using the coupler, attach one short and one long pole together. You will have (4) poles in total.

Longer pole slip fits all the way into the shorter pole, about 1.5" deep.



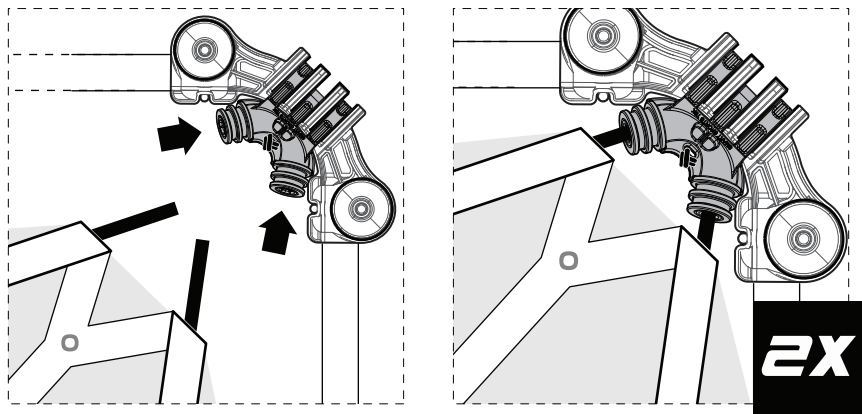
7 Insert poles into net pole sleeves, rubber end cap first.

! **Push net poles all the way inserted until the very end of net pole sleeves (Detail A).**



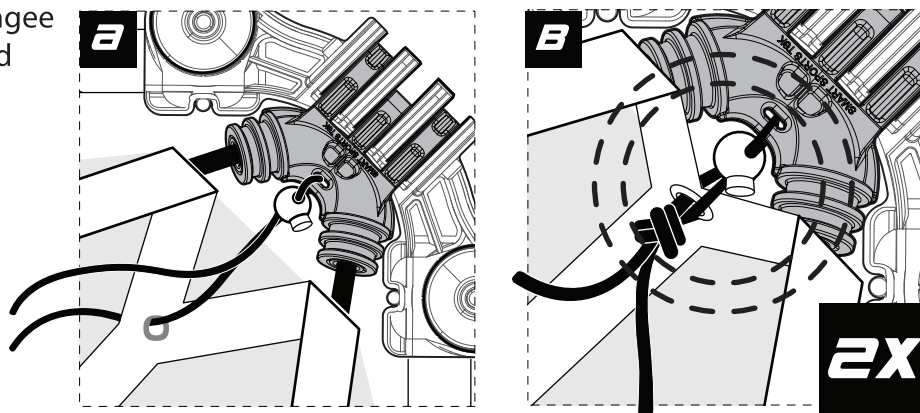
Note: Net poles do not need to be removed when uninstalling backstop. Should you need to remove the net poles, the short pole might remain inside the net pole sleeve. When reinstalling simply re-insert the long pole back into the short pole by feeling the coupler inside the sleeve.

8 Slide net poles into pivot bracket rubber insert, 2.5" deep. (label provides indication)



- 9 Thread **one** end of bungee through the metal gold eyelet and tie knot.

! **Only one end goes through the eyelet.**

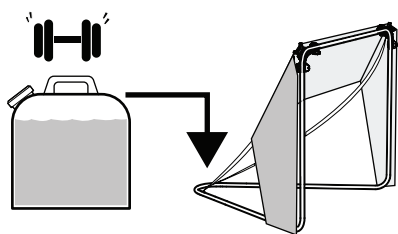


Note: Metal gold eyelet should be very close to or against the ball clamp when tied tight. This prevents net poles from sliding out of the rubber inserts.

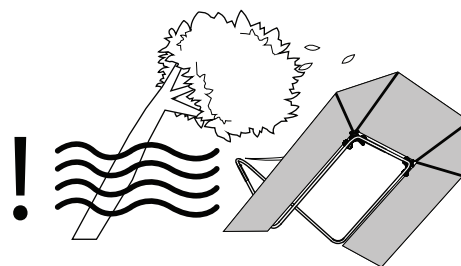
- 10 Fill supplied counterweight 3/4 full with water and be ready to set in place.



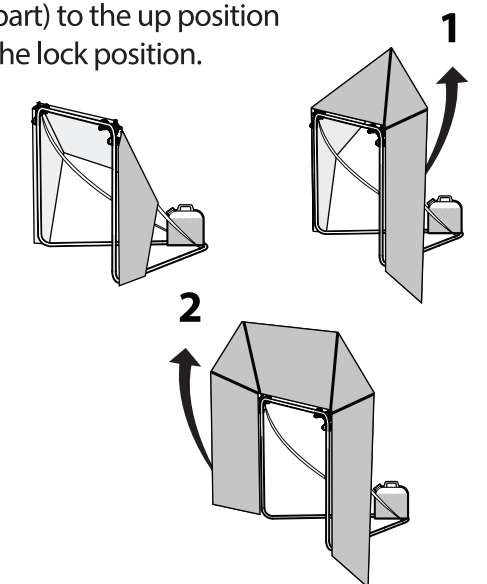
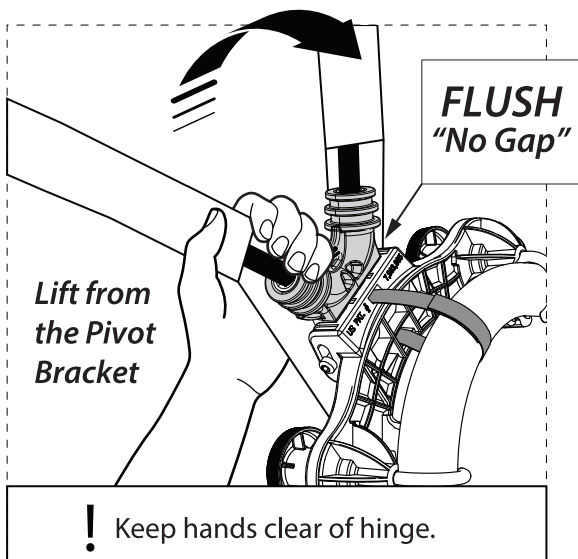
- 11 Immediately place supplied counterweight filled with water on rear goal frame



Never leave backstop in upright position in high wind or bad weather; always use supplied counterweight.

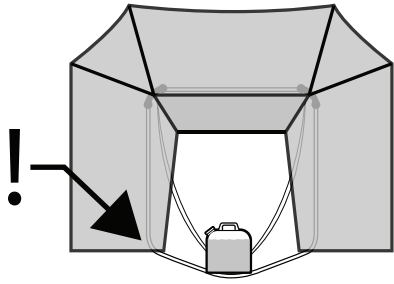


- 12 Open backstop by rotating the pivot bracket ("Y" shaped part) to the up position and lightly push down until the pivot bracket drops into the lock position.



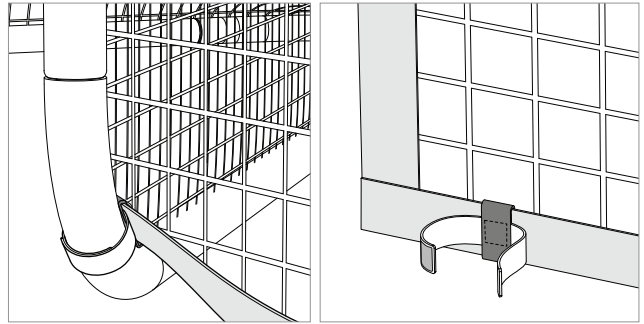
Lift both sides to fully deploy backstop.

13 Straighten net wings.



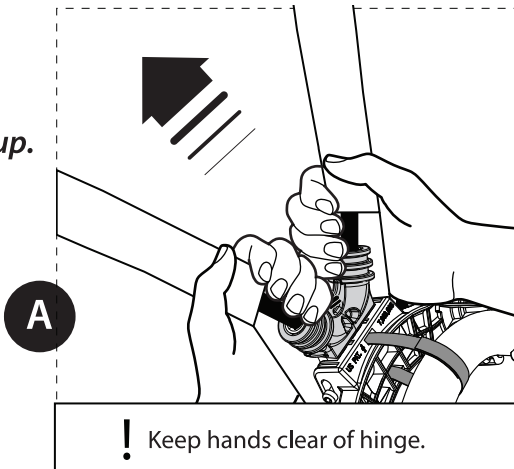
Net wing overlaps goal net.

14 Attach net cross strap to goal frame for improved net wing performance.

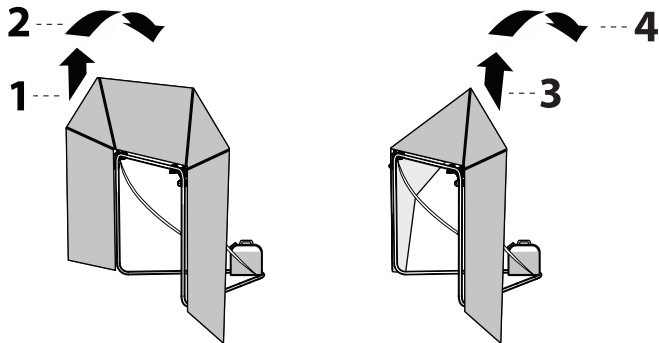
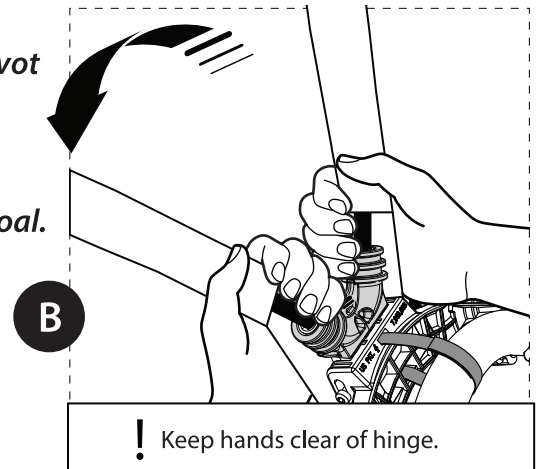


15 Fold backstop away when not in use. Lightly grab pivot bracket, *lift up* **A** and *rotate* **B**.

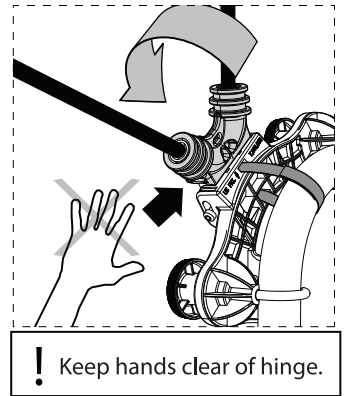
Lift Pivot Bracket straight up.



Rotate Pivot Bracket down against back of goal.



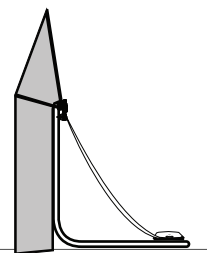
Always fold both sides away when not in use.



16



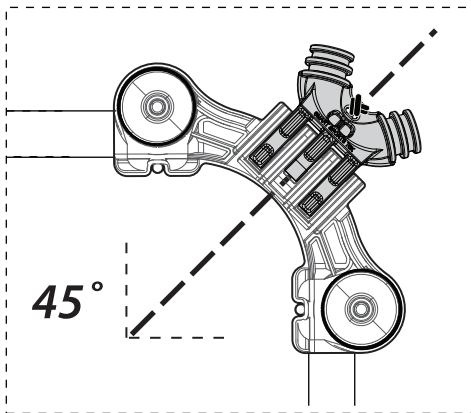
PRACTICE SMART®



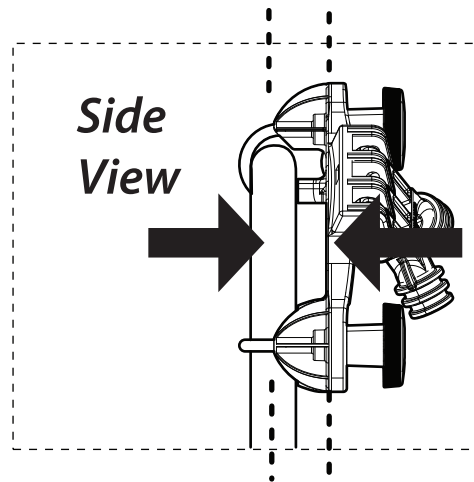
Routine Maintenance

Routine maintenance ensures your Smart Backstop is always performing it's best. Follow these quick steps at the start of each season or regularly every few months.

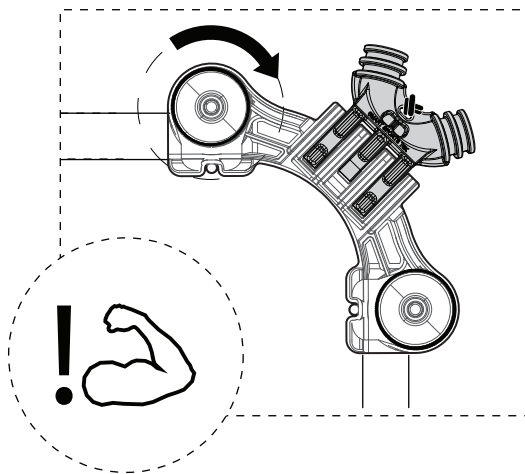
- ✓ Check the 45° alignment of the corner brackets and realign if needed. This ensures correct net tension to maximize best coverage around the goal.



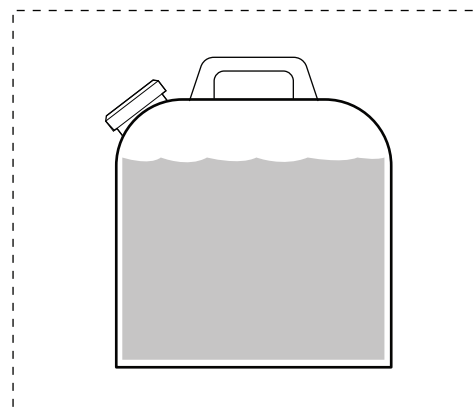
- ✓ Corner Bracket should be parallel to the goal frame to allow for the correct amount of forward lean/net angle.



- ✓ Check that the corner brackets are firmly tightened.



- ✓ Check that the counterweight water bag is 3/4 full with water to prevent the backstop from tipping over.



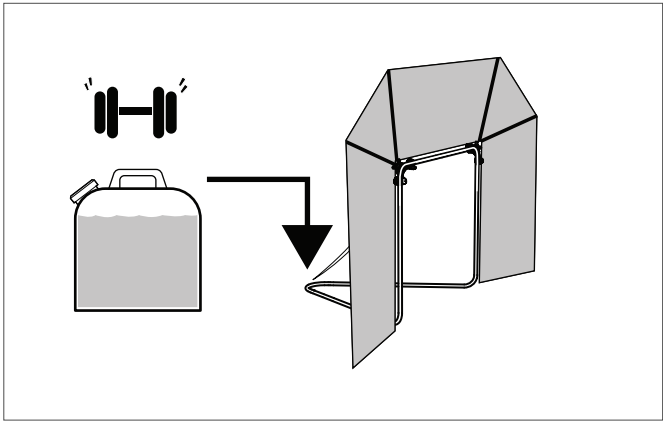
Replacement Parts are available at smartbackstop.com. Click on parts & upgrade kits.

Always fold backstop away after use, never leave up!

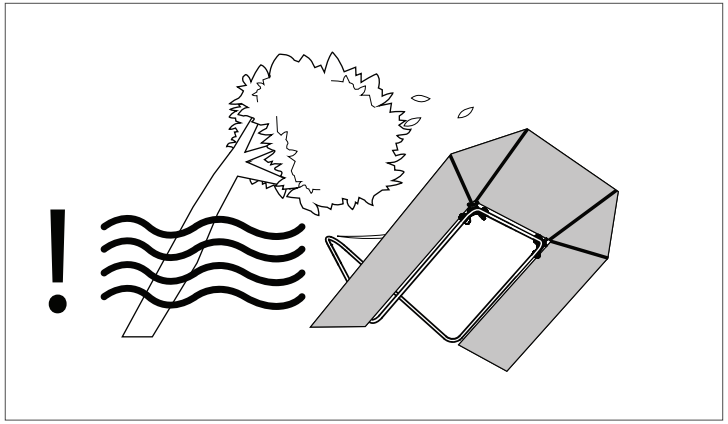


<p>2 ——— 1 ——— 3 ——— 4 ———</p> <p>Lift pivot bracket and fold behind goal. Always fold back when not in use.</p>	<p>! Keep hands clear of hinge.</p>
----------------------------------------------------------------------------------------------------------------------------------------------------------	--------------------------------------------

Always use supplied counterweight to prevent against tip-over!



Leaving open could result in damage especially in high wind or bad weather!



Smart Sports Tek Statement of Liability

PLEASE READ PRIOR TO USE

Smart Sports Tek takes safety seriously. Lacrosse is a fun but also a DANGEROUS sport. You must read and fully understand all user instructions and always use common sense. We recommend wearing all protective gear including but not limited to helmet, face mask, shoulder pads, chest pads, back and kidney pads, arm pads and gloves during practice.

To the best of Smart Sports Tek's knowledge, we make every effort to embody the highest degree of protection in all the equipment we manufacture. We cannot, however, guarantee freedom from injury. The user assumes all risk of injury due to use. All merchandise is sold on this condition, which no representative of the company can waive or change. Equipment should be used only as intended, maintained carefully, inspected periodically by user for loose fittings and tested for stability.

Please remember that no product is 100% perfect. We have designed this Backstop to help prevent passed balls but some balls WILL get passed so use caution when locating your goal in the yard or field of play, etc.

Please remember that REBOUNDING balls **will happen**. Be aware that this product will not prevent balls from rebounding off the goal pipe/frame back at you. Use caution when shooting at the goal and always be aware of rebounding balls.

By agreeing to this STATEMENT OF LIABILITY you agree to HOLD HARMLESS Smart Sports Tek, its principals, affiliates and suppliers from ANY and ALL Liability for any reason.

As the consumer, you agree to defend, indemnify and hold Smart Sports Tek harmless from and against any and all claims, liabilities, demands, penalties, forfeitures, suits, judgments and the associated costs and expenses (including attorney's fees), which Smart Sports Tek may hereafter incur, become responsible for or pay out arising out of your use of the Product.

If you do not agree with this STATEMENT OF LIABILITY do not purchase or use this product.

REMEMBER SAFETY FIRST AND ALWAYS USE COMMON SENSE!

Practice Smart®!

The SMART SPORTS TEK Team

Smart Sports Tek Warranty

I. Limited Warranty

As described in and as limited by this Limited Warranty, SMART SPORTS TEK (the "Company") warrants the "Product" to be free from defects in workmanship and materials for a period of 1 year from the date of original purchase. The term defects shall mean any imperfections that impair the use of the product. The Company reserves the right to request confirmation of Proof of Purchase when requesting parts or service in order to confirm that the unit is within its warranty period.

II. Conditions and Restrictions

This warranty is valid only in accordance with the conditions set forth below:

a. Except as provided herein, this Limited Warranty covers all defects in materials and workmanship. This Limited Warranty is void if the Product is:

- Damaged through improper usage or storage, negligence, misuse, abuse, transportation damage, acts of nature, or accident (including failure to follow the instructions supplied with the product).
- Used in commercial applications, rentals or a commercial environment.
- Modified or repaired by anyone not authorized by the Company.

b. The Limited Warranty does not cover:

- Any items that may show signs of wear due to abnormal usage.
- Any transportation/delivery/installation costs incurred by the Consumer (either home from the original place of purchase or back to the original place of purchase).

c. What Company will pay for:

- If any part of the component of the Product which is covered by this Limited Warranty is found by the Company to be defective, the Company will provide replacement parts without charge. The Company's obligation to repair or replace the Product or any portion thereof, shall be limited to the original purchase price of the product.
- If during the Limited Warranty period, the product is found to be defective, the Company will, at the Company's option, repair, replace, or make remuneration for the Product (either the same or equivalent value) without charge.

III. Warranty Enforcement

a. SMART SPORTS TEK shall determine in its sole discretion whether or not a Product fails to conform to its warranty. In the event that SMART SPORTS TEK determines that a Product fails to conform to its warranty, SMART SPORTS TEK will provide, at its option, one of the following at no charge to the original purchaser: (a) repair of the Product or (b) replacement of the Product. The appropriate remedy will be determined by SMART SPORTS TEK based upon the following considerations: (a) the value of the Product with no Defect, (b) the significance of the Defect, and the inconvenience each remedy would place on the original purchaser. THESE SHALL BE THE SOLE AND EXCLUSIVE REMEDIES OF THE BUYER FOR ANY BREACH OF WARRANTY.

b. In order to enforce your rights under this Limited Warranty, you must follow these procedures:

- You must return the ORIGINAL COPY OF YOUR SALES RECEIPT to the Company. ALL WARRANTY CLAIMS MUST BE ACCOMPANIED BY A COPY OF THE SALES RECEIPT/PROOF OF PURCHASE.
- You must contact the Company's Consumer Service Department at info@smartsportstek.com to notify the Company of the nature of the problem. Customer Service hours are Monday through Friday between the hours of 9:00 A.M. and 5:00 P.M. (EST). At the Company's option, replacement parts or a new Product (either the same or equivalent value) will be sent to you at no charge.
- If you are instructed to return the Product to the Company for servicing, you are responsible for shipping the Product, at your expense, to the address designated by the Company and in packaging that will protect against further damage.
- You must also include your name, address, daytime telephone number, Product model number, and a description of the problem.
- The Company will pay for any shipping charges to return the repaired or replaced Product to you.

THIS WARRANTY DOES NOT COVER PRODUCTS PURCHASED FROM AUCTION WEBSITES SUCH AS eBAY or eBID. PROOFS OF PURCHASE FROM AUCTION WEBSITES WILL NOT BE ACCEPTED.

THIS LIMITED WARRANTY IS AVAILABLE ONLY TO THE ORIGINAL PURCHASER OF THE PRODUCT AND IS VALID ONLY IN THE UNITED STATES. THE COMPANY'S LIABILITY IS LIMITED TO THE REPAIR, REPLACEMENT, OR REMUNERATION, AT ITS OPTION, OF ANY DEFECTIVE PRODUCT AND SHALL NOT INCLUDE ANY LIABILITY FOR INDIRECT, INCIDENTAL, OR CONSEQUENTIAL DAMAGES OF ANY KIND. THIS WARRANTY IS EXPRESSLY MADE IN LIEU OF ALL OTHER WARRANTIES, EXPRESSED OR IMPLIED, INCLUDING BUT NOT LIMITED TO THE IMPLIED WARRANTY OF MERCHANTABILITY AND THE IMPLIED WARRANTY OF FITNESS FOR A PARTICULAR PURPOSE. SOME STATES DO NOT ALLOW LIMITATIONS ON HOW LONG AN IMPLIED WARRANTY LASTS OR DO NOT ALLOW FOR EXCLUSION OF INCIDENTAL OR CONSEQUENTIAL DAMAGES. TO THAT EXTENT, THE ABOVE LIMITATIONS MAY NOT APPLY TO YOU.

If you have any questions regarding this Limited Warranty or the operation of the Product, you may email or write us. (See page 9)

Smart Sports Tek Return Policy

Smart Sports Tek understands that you may need to return an item. We're happy to offer returns within 30 days of purchase.

Damaged, Defective or Incorrect Item Returns:

Upon receipt, if the package is damaged or upon opening, the product is found to be damaged, defective or not the item you ordered, email us at info@smartsportstek.com and we will make it right!

General Returns:

Please note that unless found to be damaged upon opening, items MUST be returned in the original packaging as received and you must have a Return Material Authorization (RMA) number for all returns. The customer is responsible for all return shipping cost. All returns are subject to a 20% restocking fee. If the product is returned in a manner that makes the product unable to be resold, the product has been opened but without damage or defect, the product is missing parts it will be subject to a 50% restocking fee.

Smart Sports Tek Return Policy (cont'd)

Please note, Smart Sports Tek may limit, decline or charge a restocking fee on some returns and exchanges including, but not limited to the following examples: If the product is returned in a manner that makes the product unable to be resold, the product has been opened but without damage or defect, the product is missing parts.

Smart Sports Tek cannot accept return packages sent as Cash On Delivery (C.O.D.).

Refunds:

Refunds are provided in the original form of payment for the purchase price of the item, including sales tax, and will be issued within 30 days of Smart Sports Tek receiving the return. Original shipping charges are not refunded as part of your return, unless the item is being returned due to damage upon receipt, found to be defective upon initial use or you received an item you did not order.

Return Procedure:

- Returns must be within 30 days of purchase.
- Returns MUST be in the original packaging and MUST be unopened. Please do not attempt a return if it does not meet this criteria, as the package will have to be refused.

Please Note: Returns due to damage upon receipt, found to be defective upon opening or on initial use or if you received an item different than ordered, must be returned unused, in the original packaging, and include all accessories that came with the item as originally shipped from Smart Sports Tek.

- A Return Material Authorization (RMA) number is required and is issued from Smart Sports Tek. Simply email us at info@smartsportstek.com and include the reason for return and upon review and acceptance an RMA number will be issued via email. Please write the RMA number beside the shipping label on the outside of the package.
- Ship to:

Smart Sports Tek, Inc. Returns
C/O Sprocket Express
23 West Bacon Street, Suite 5
Plainville, MA 02762
(508) 695-3673

Please make sure that the RMA number is on the outside of the package beside the shipping label!

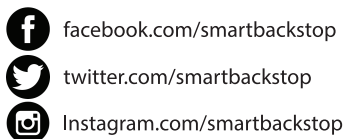
Please note that Smart Sports Tek recommends using UPS for all returns. They will provide a tracking number for the shipment and work to ensure the product is not damaged in transit.

Replacement Parts are available at smartbackstop.com. Cilck on parts & upgrade kits.

Practice Smart[®]

SMART BACKSTOP[®]

Visit us online at Smartsportstek.com



Smart Sports Tek, Inc.
100 Randall Road #205
Wrentham, MA 02093

Comments or Questions?
Email: info@smartsportstek.com

Replacement Parts are available at smartbackstop.com. Cilck on parts & upgrade kits.

