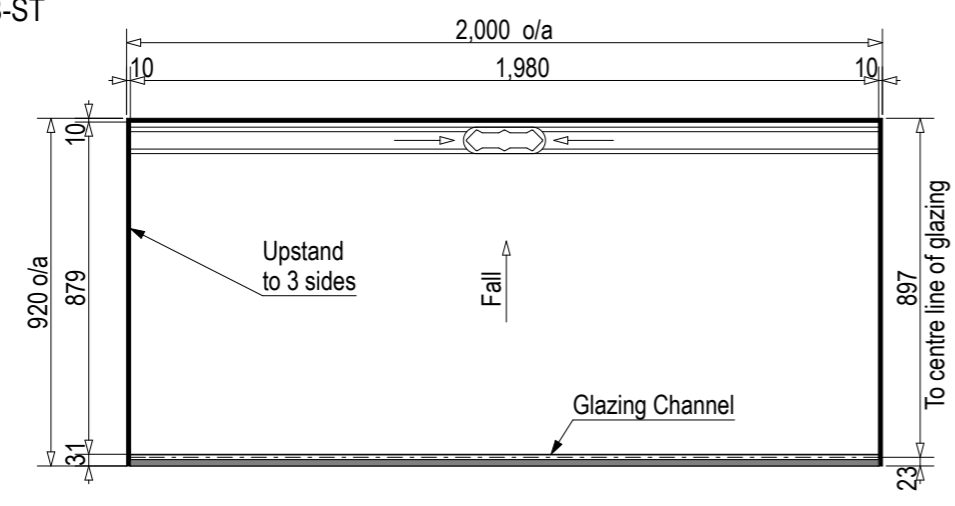


Note: Drain position central unless dimensioned otherwise

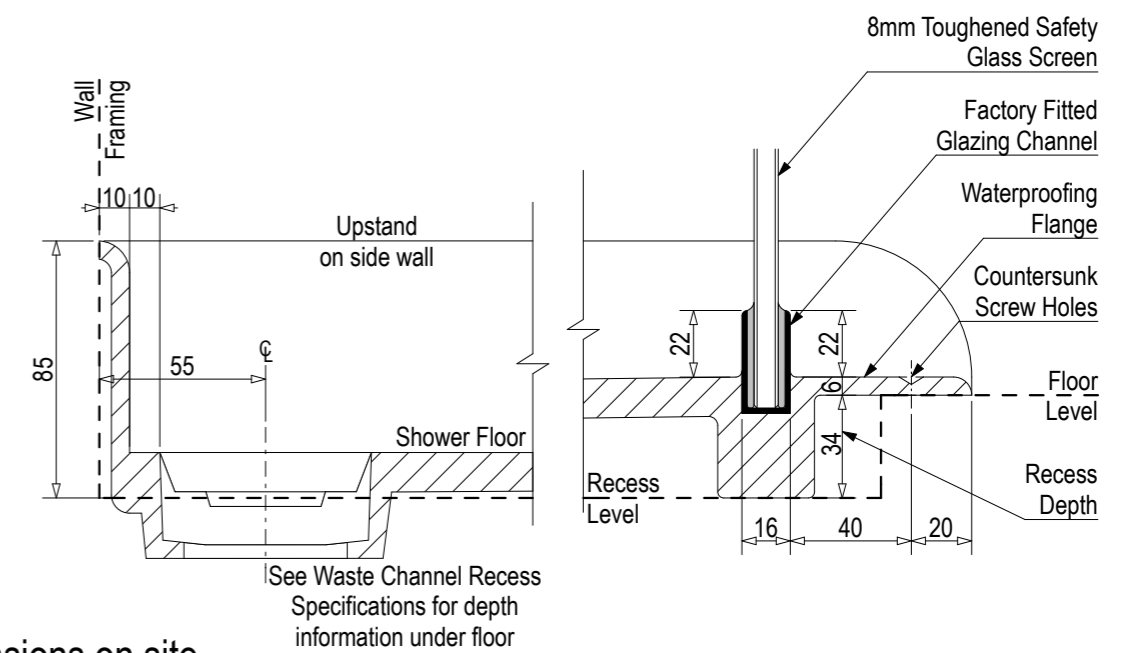
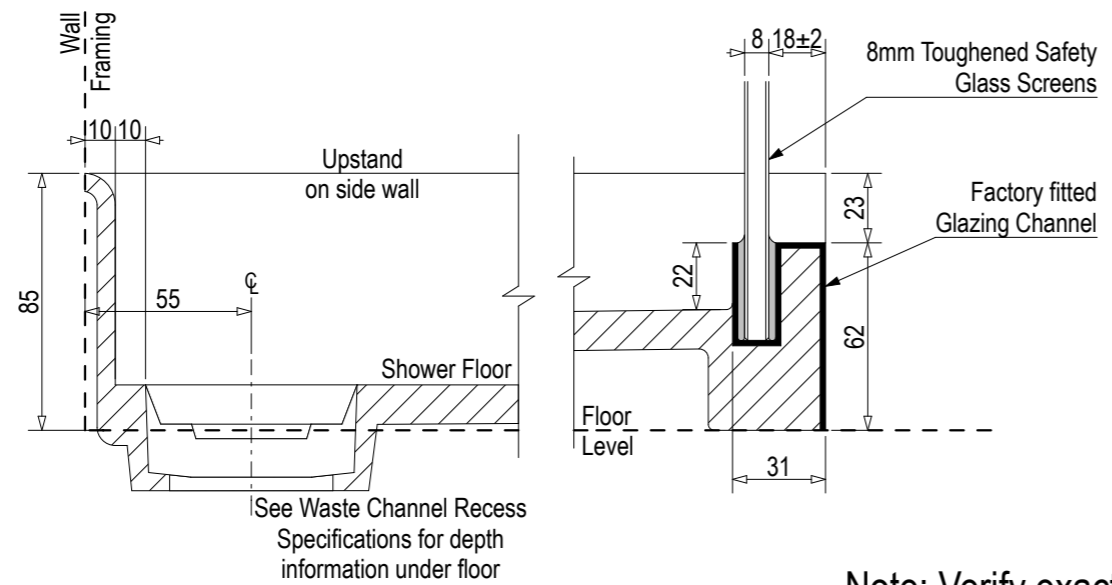
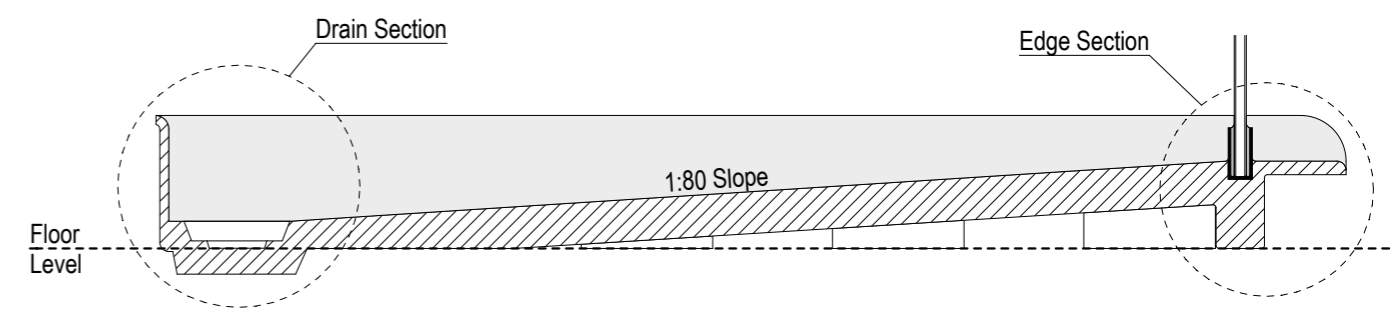
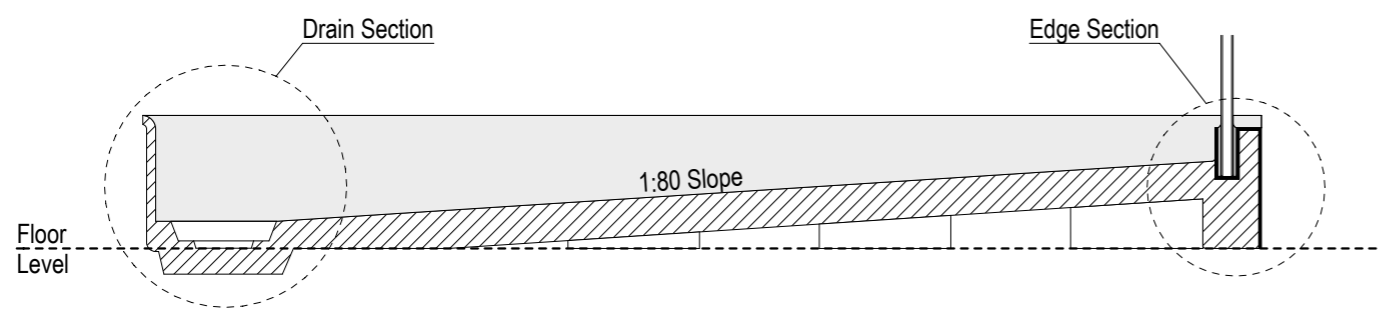
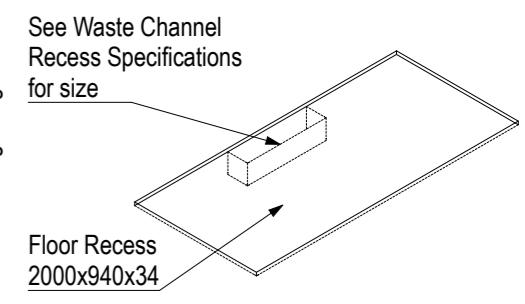
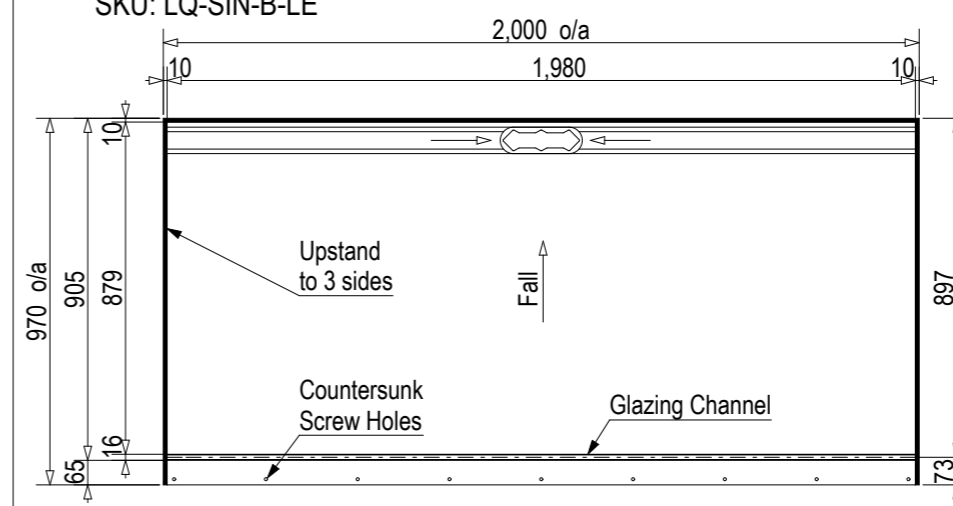
Step Entry

SKU: LQ-SIN-B-ST



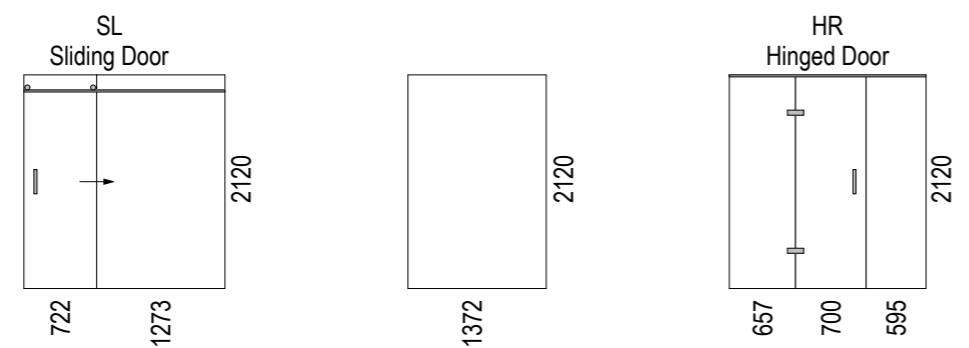
Level Entry

SKU: LQ-SIN-B-LE



Note: Verify exact shower base dimensions on site

Screen Options:



All 3 Wall Screens are reversible

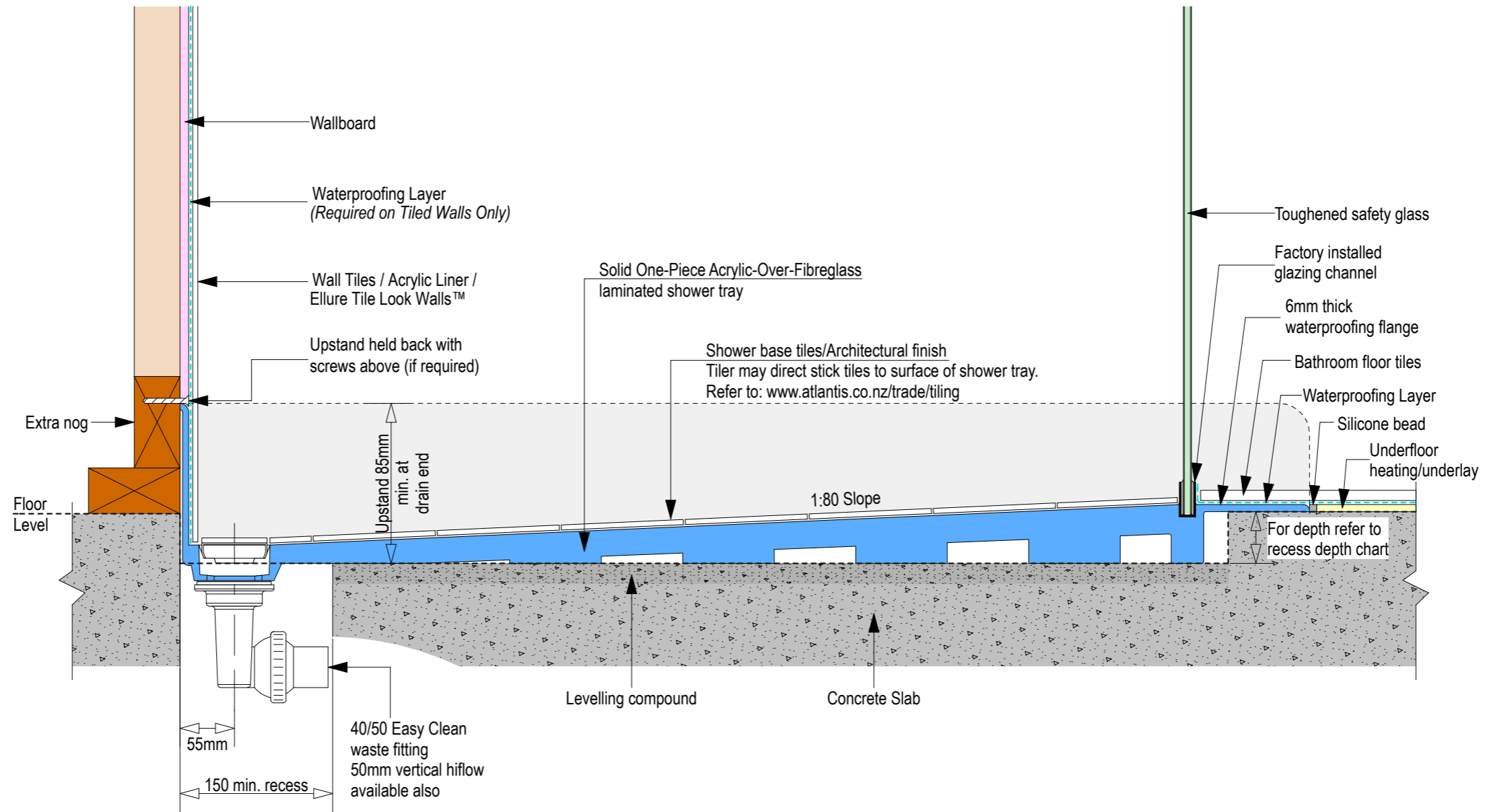
For more product information go to:
www.atlantis.co.nz/shop/linea-quattro/singapore-2000x900/

For installation instructions go to:
www.atlantis.co.nz/trade/installation/

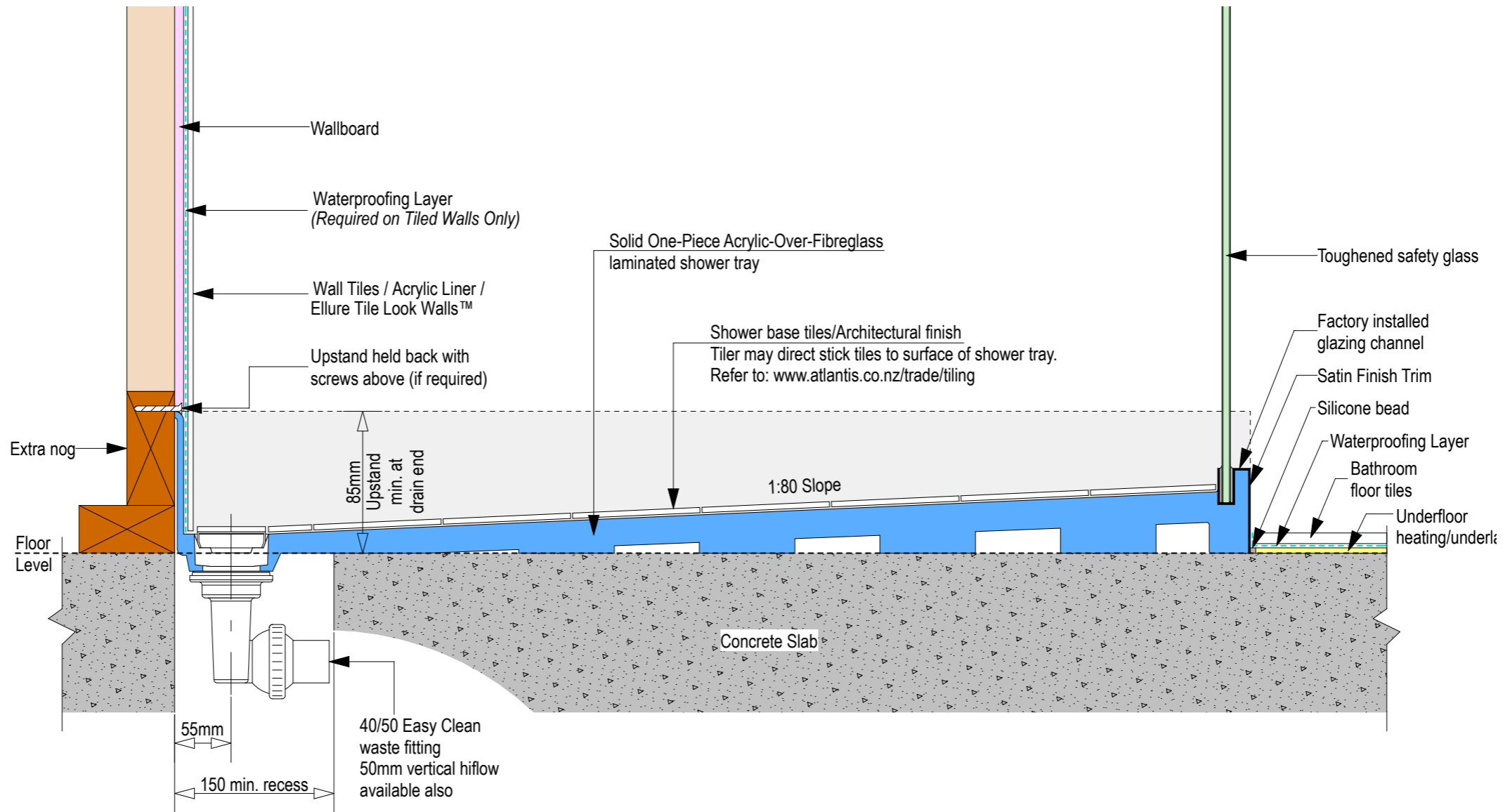
AQUAPLANE WASTE FITTING

- EasyClean Waste with in-built trap
- 50L/min ultra flow rate
- Removable fin for easy cleaning
- 40/50mm outlet with swivel fitting
- Components bolt together for guaranteed watertightness

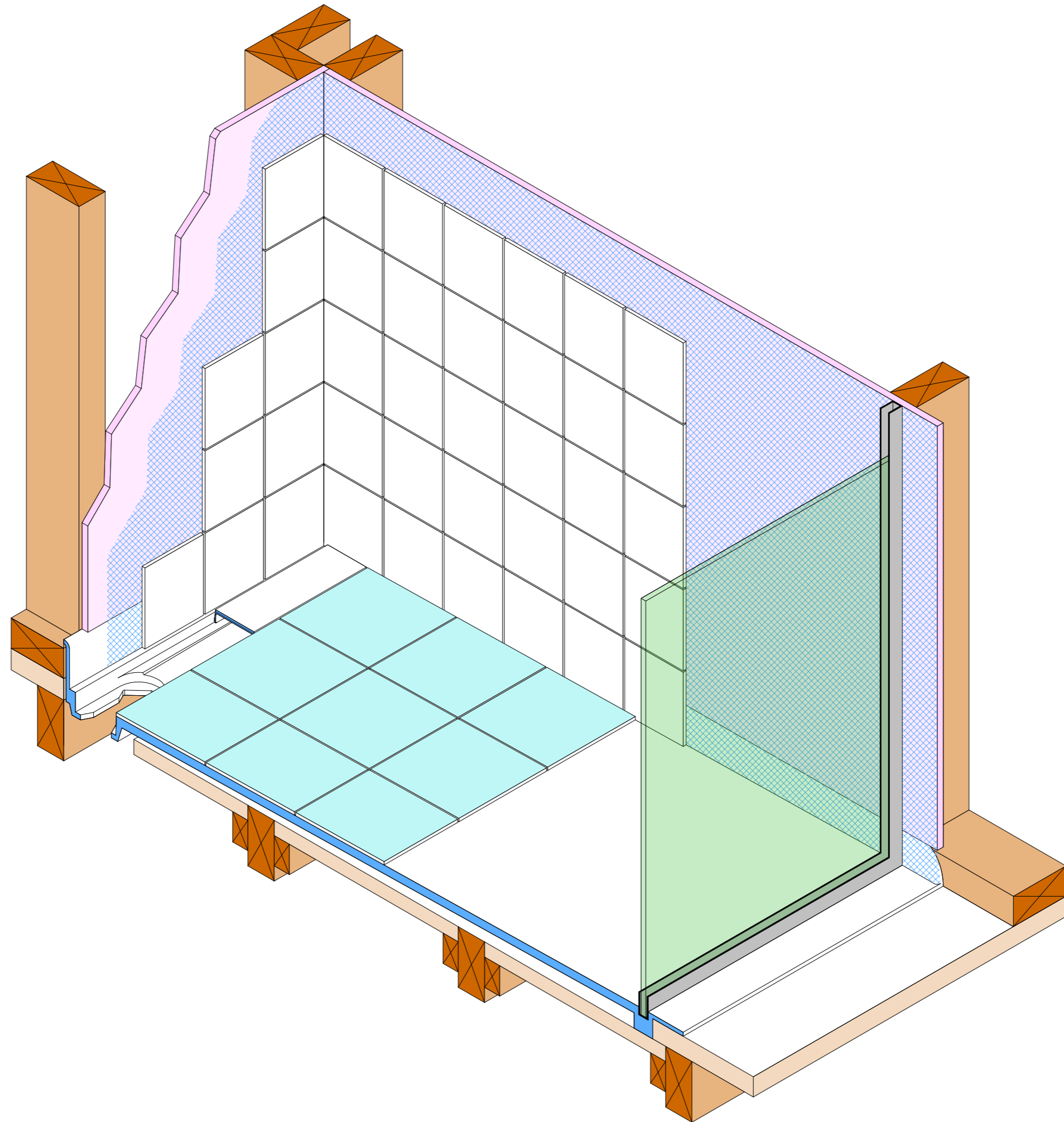








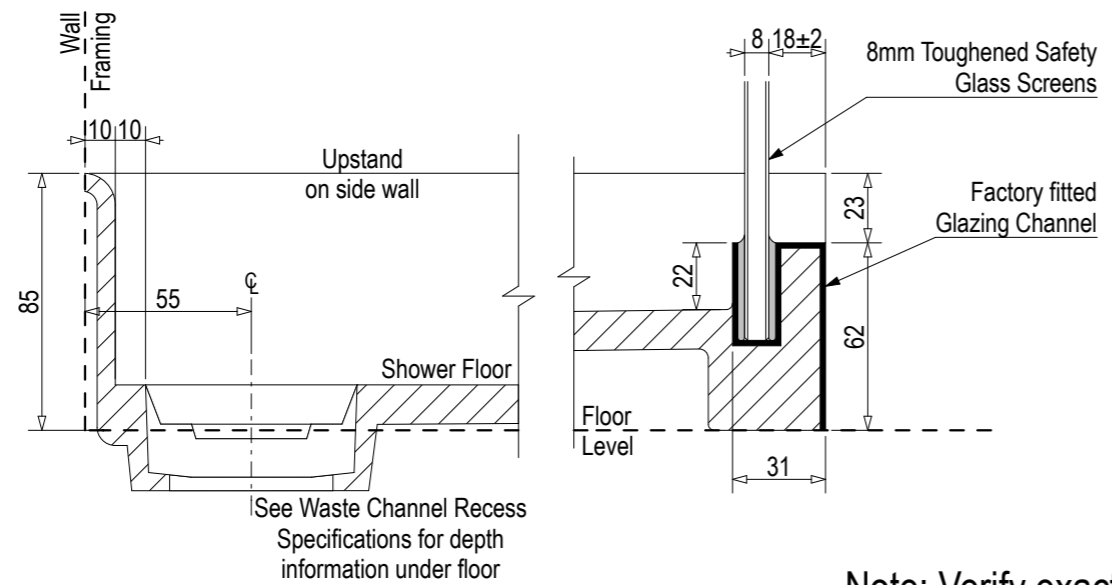
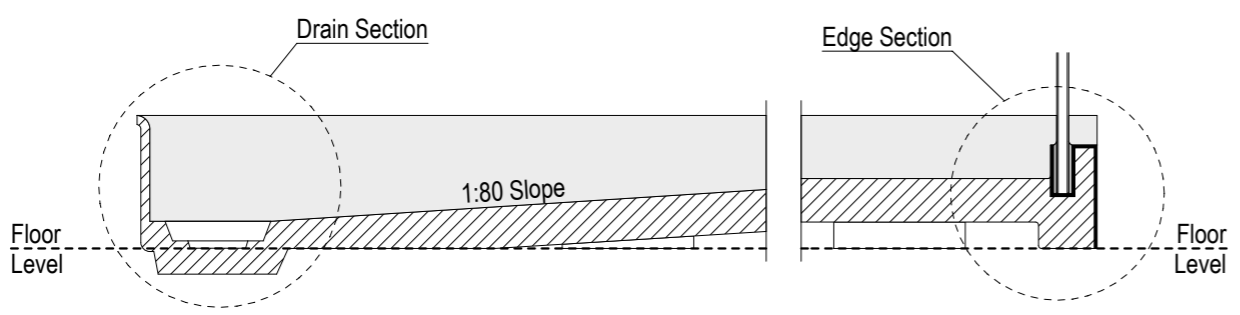
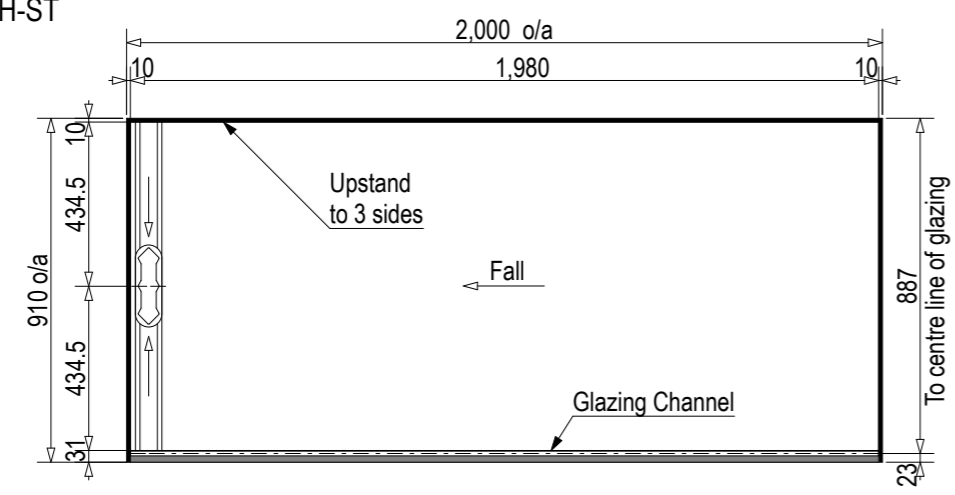




Note: Drain position central unless dimensioned otherwise

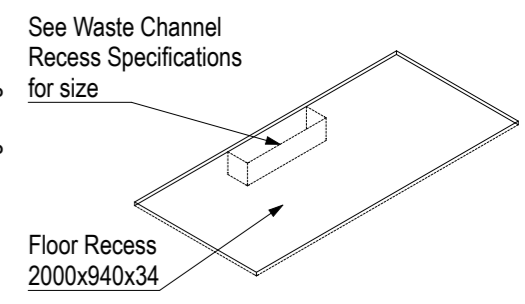
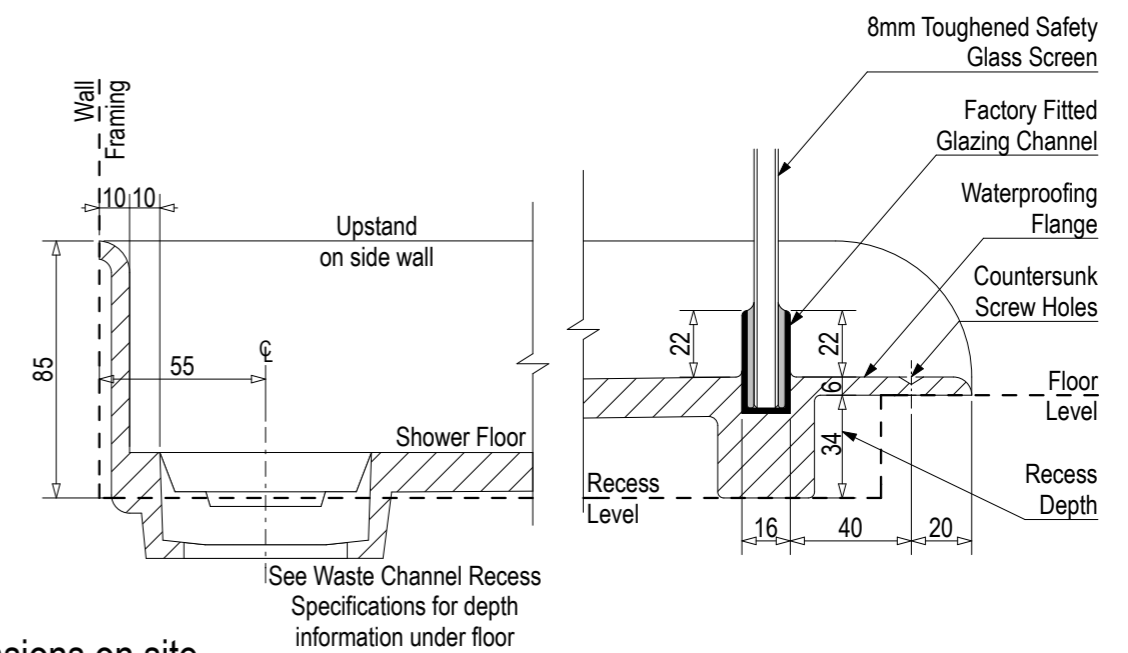
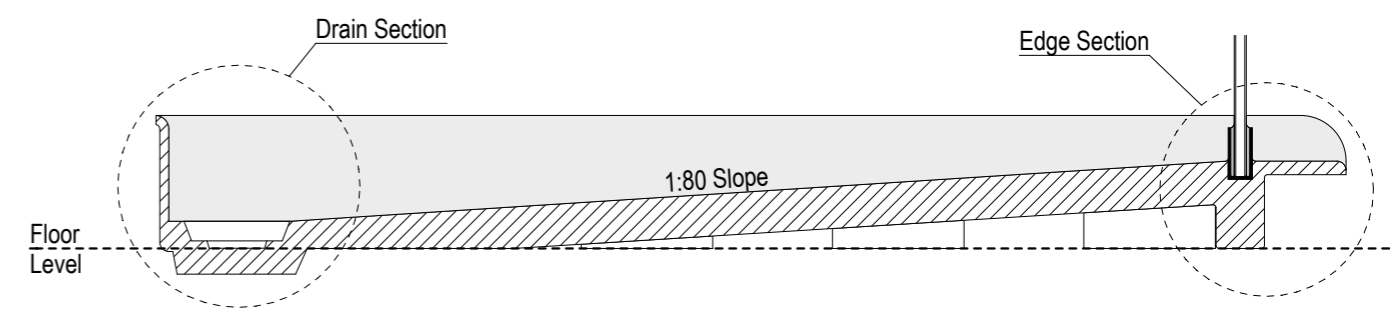
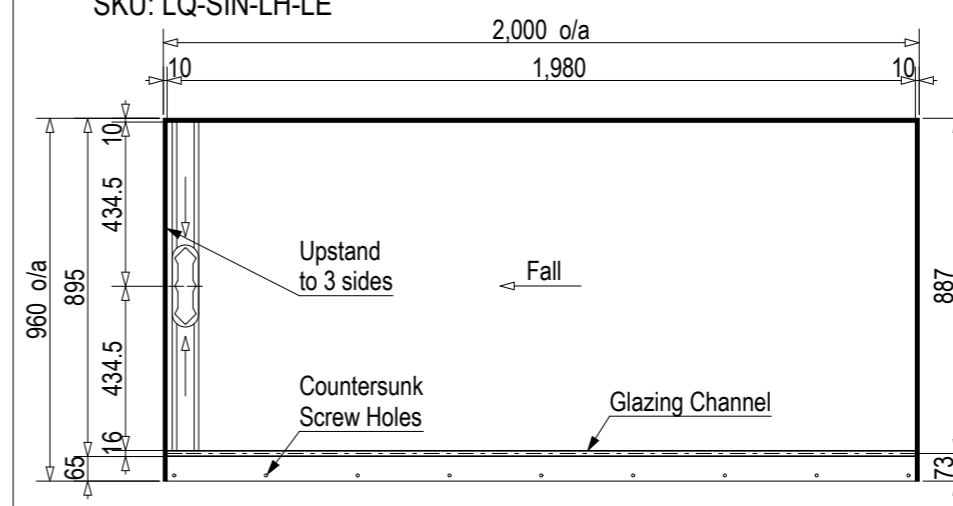
Step Entry

SKU: LQ-SIN-LH-ST



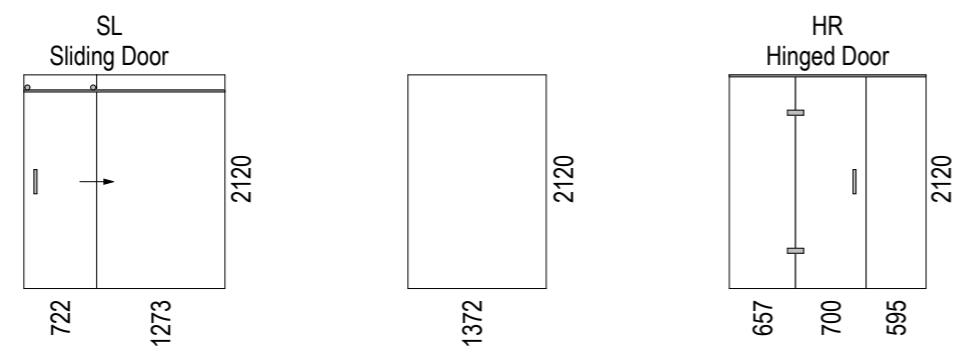
Level Entry

SKU: LQ-SIN-LH-LE



Note: Verify exact shower base dimensions on site

Screen Options:



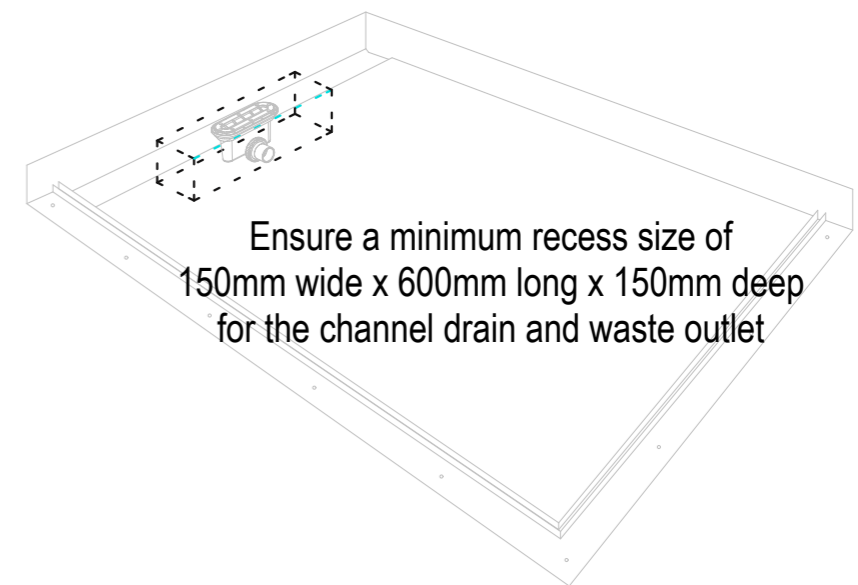
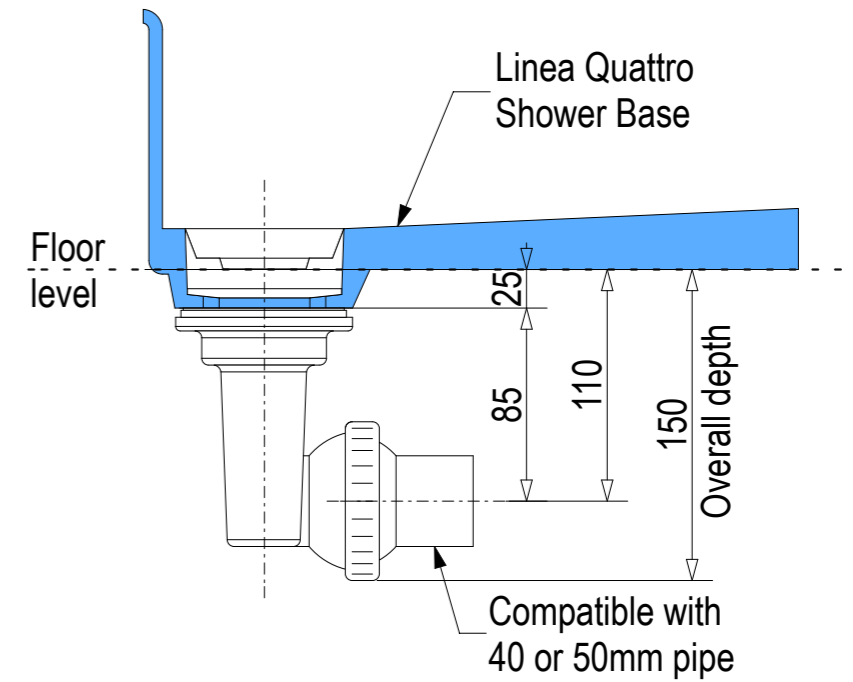
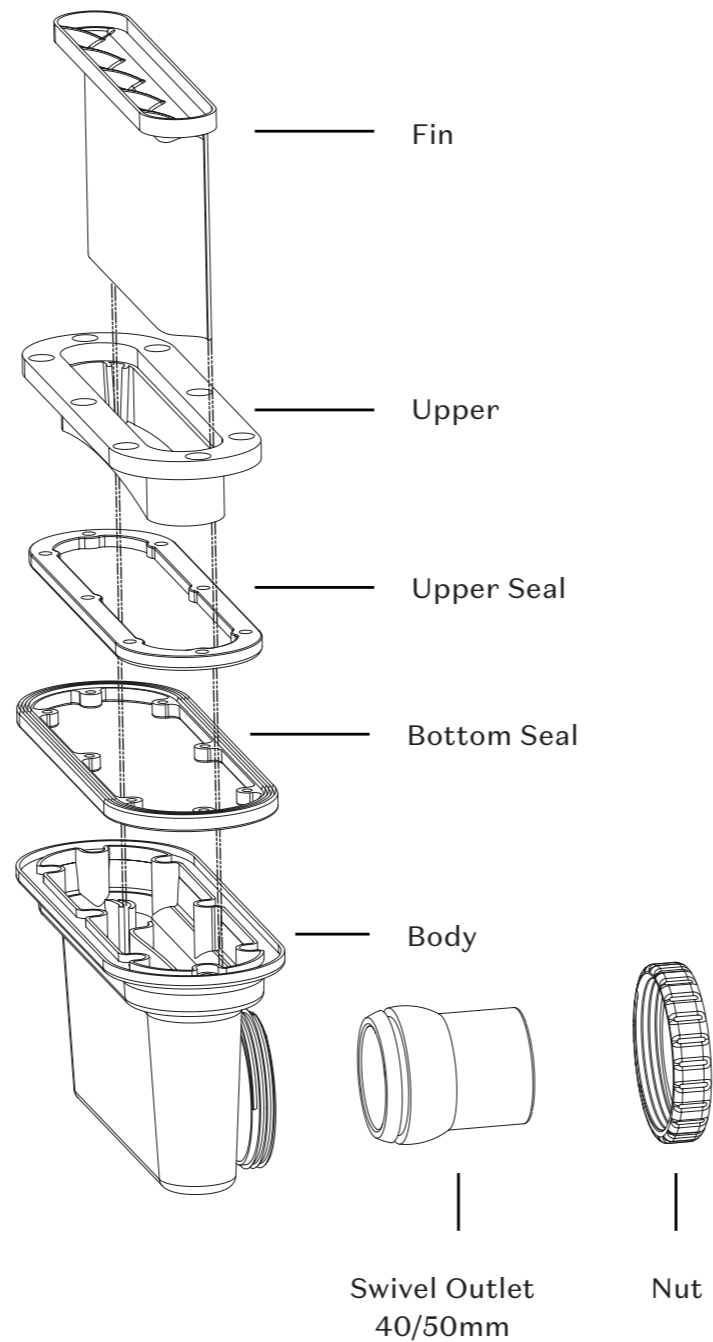
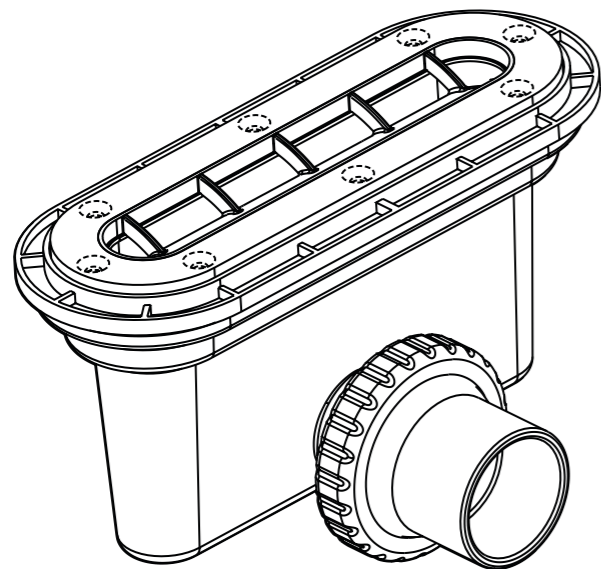
All 3 Wall Screens are reversible

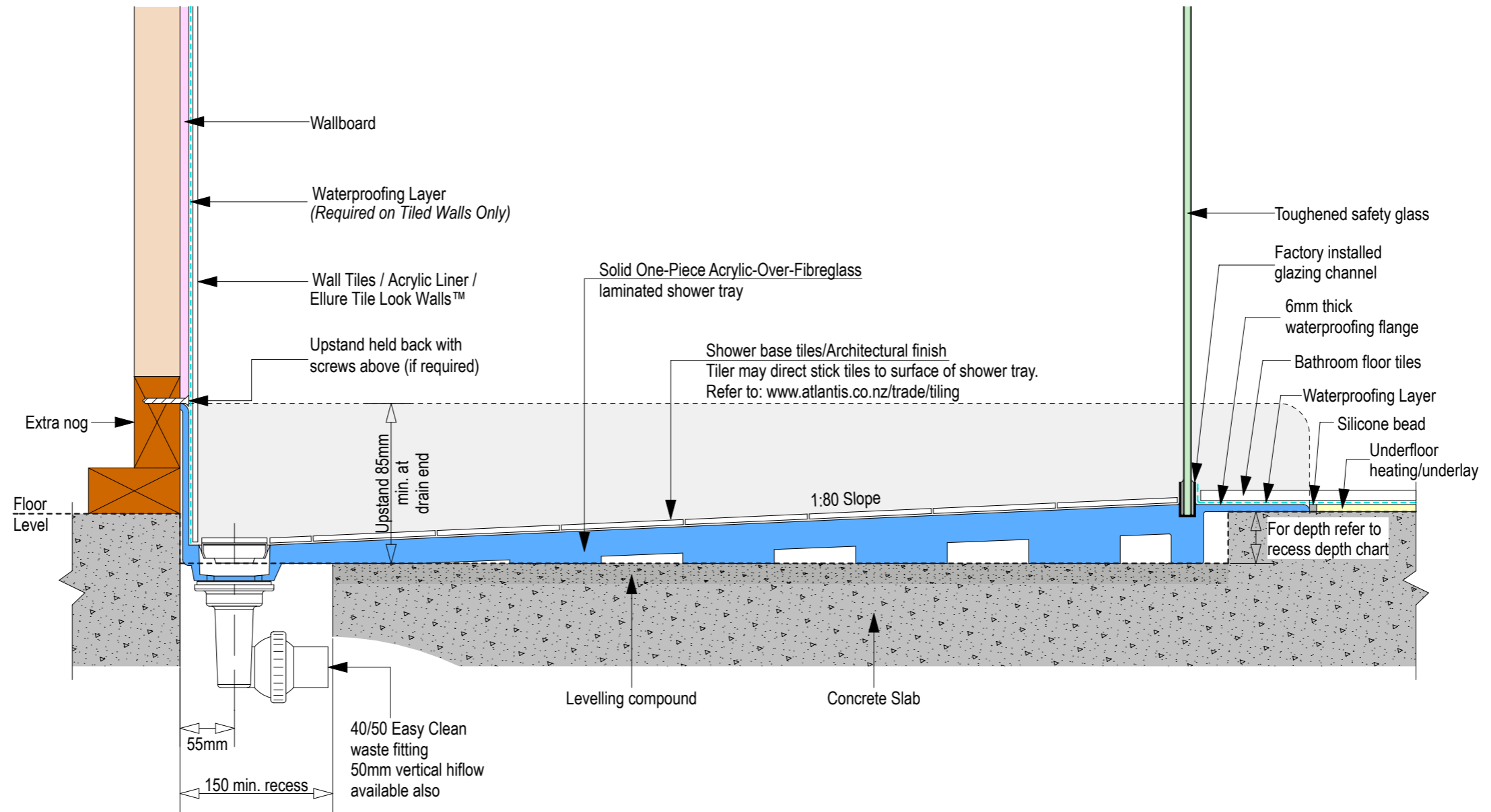
For more product information go to:
www.atlantis.co.nz/shop/linea-quattro/singapore-2000x900/

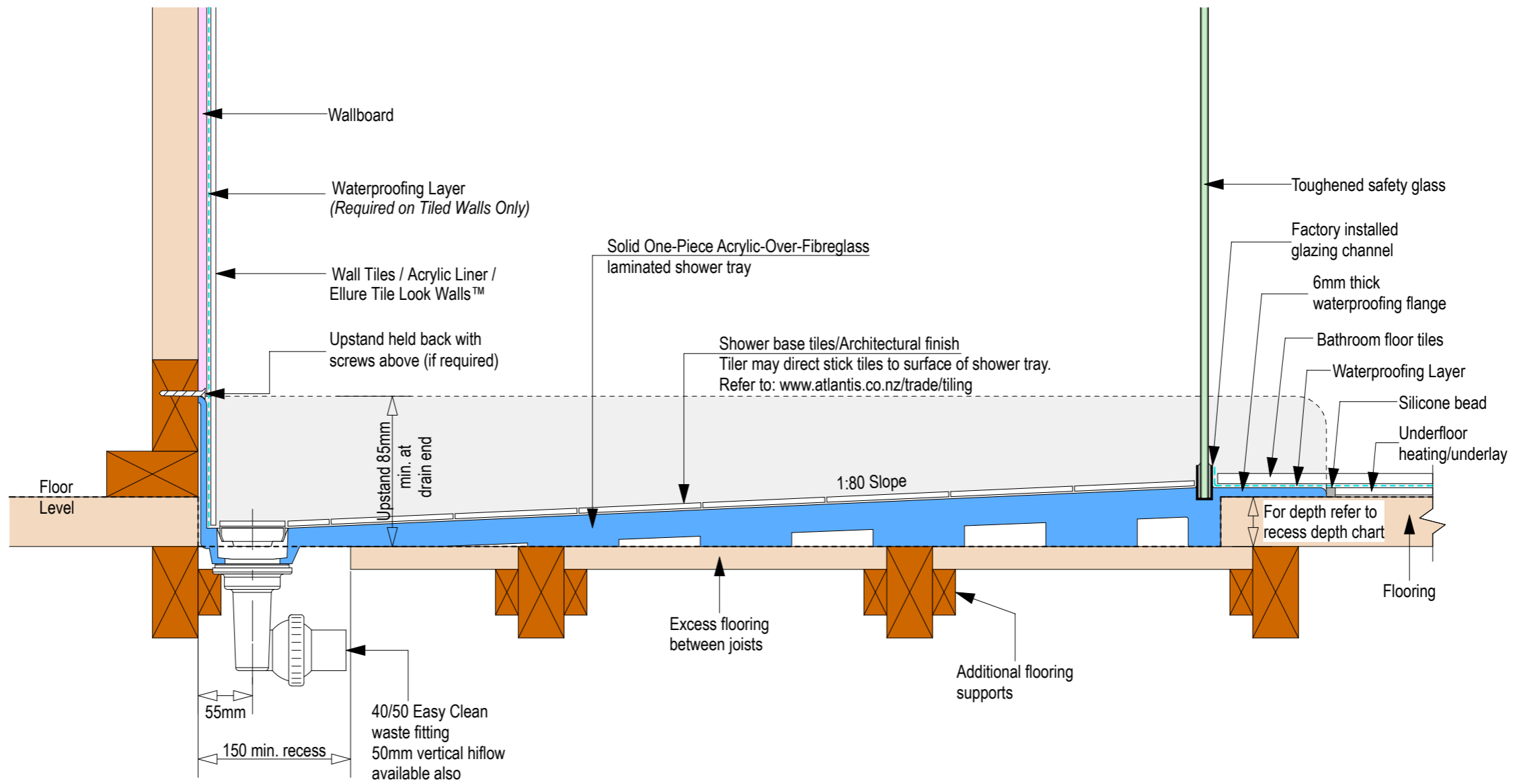
For installation instructions go to:
www.atlantis.co.nz/trade/installation/

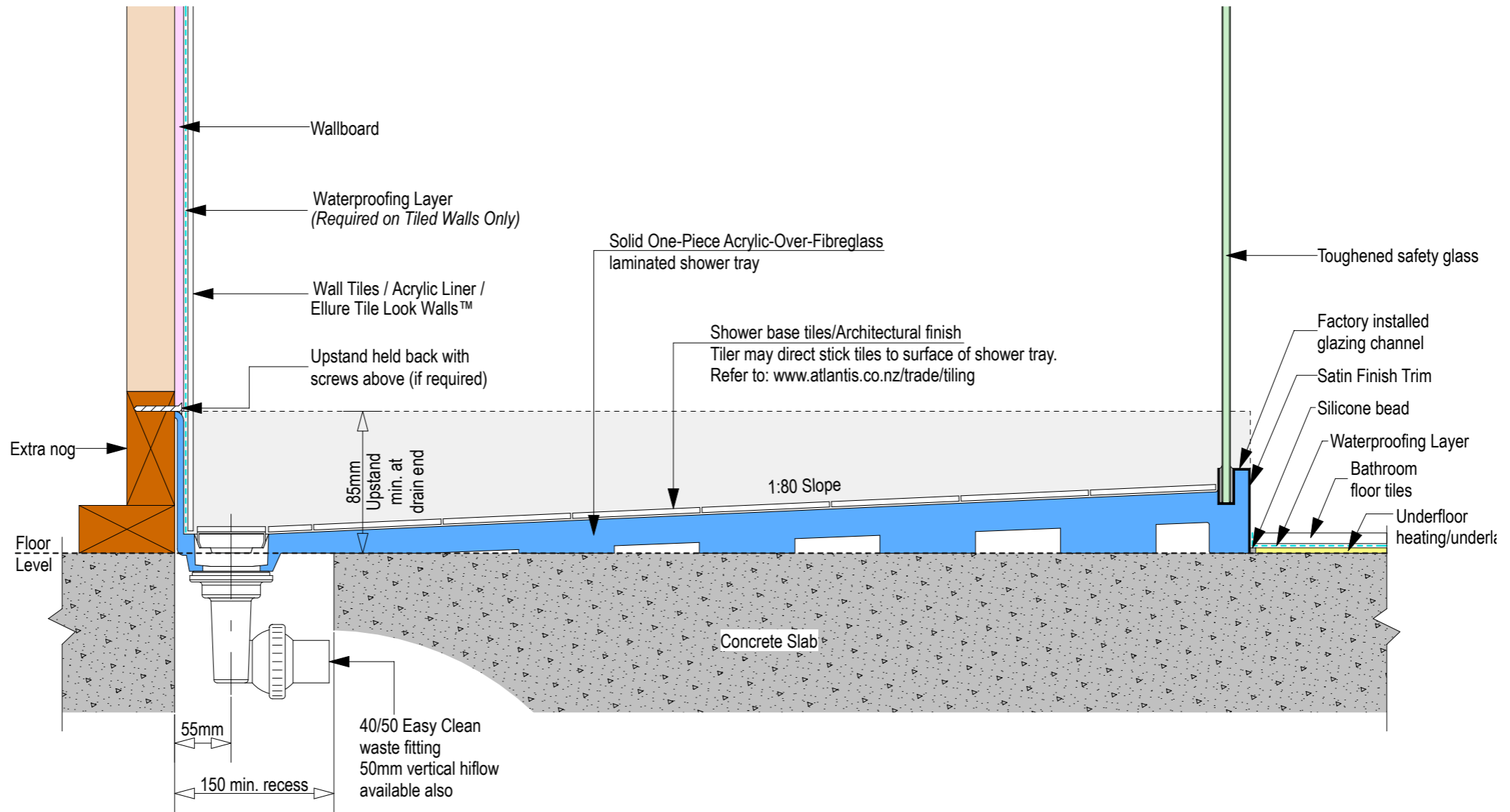
AQUAPLANE WASTE FITTING

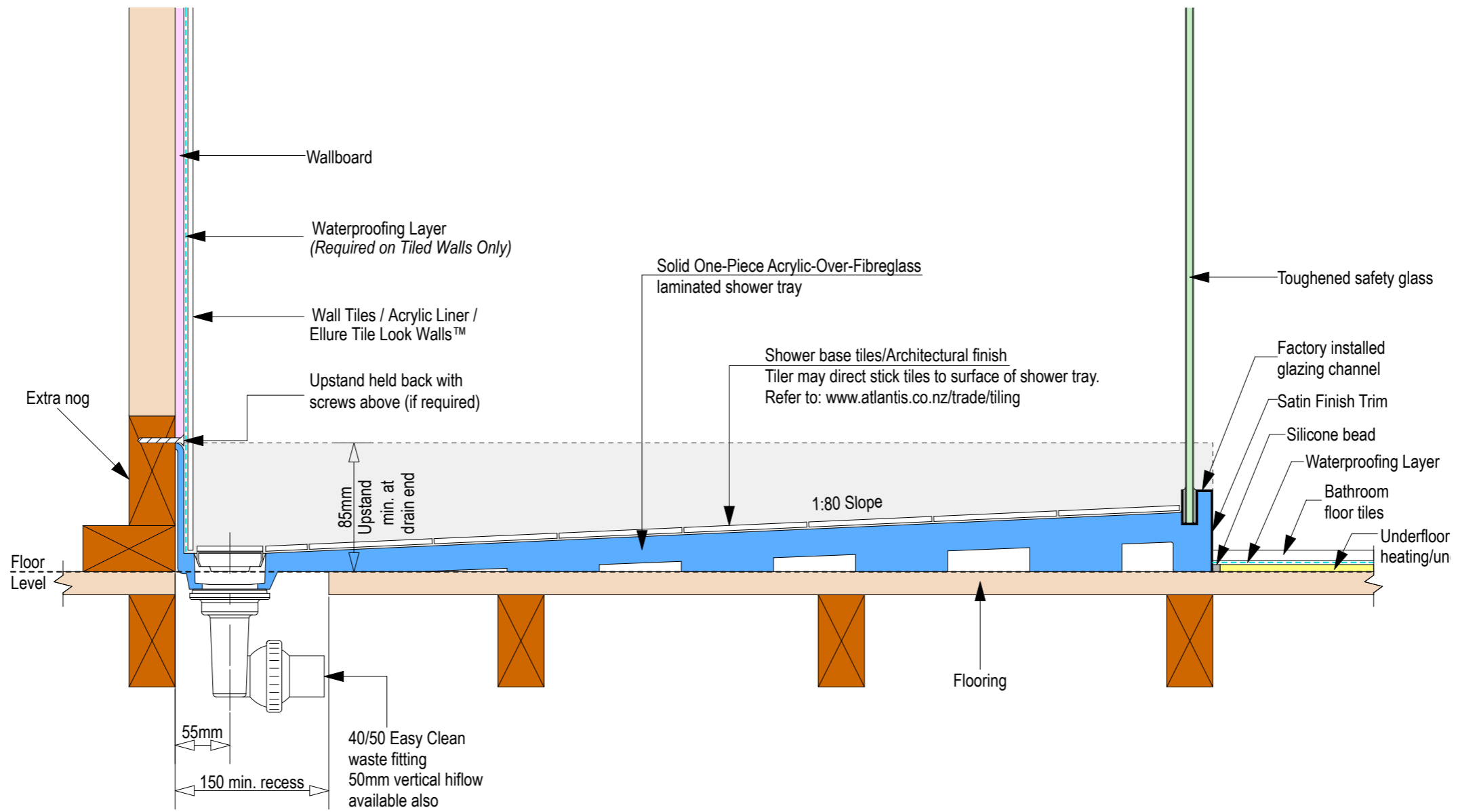
- EasyClean Waste with in-built trap
- 50L/min ultra flow rate
- Removable fin for easy cleaning
- 40/50mm outlet with swivel fitting
- Components bolt together for guaranteed watertightness

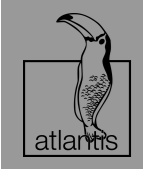
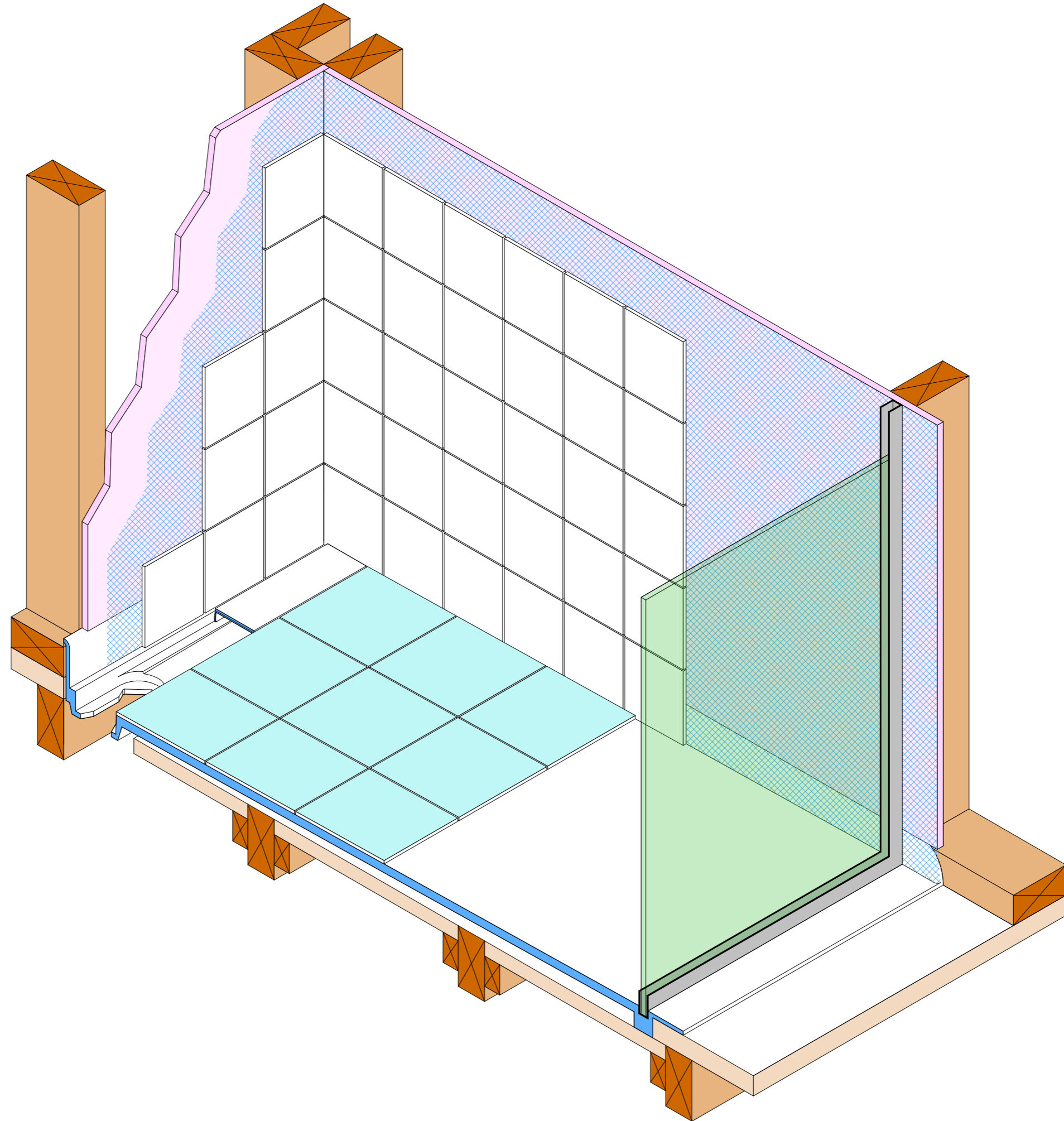








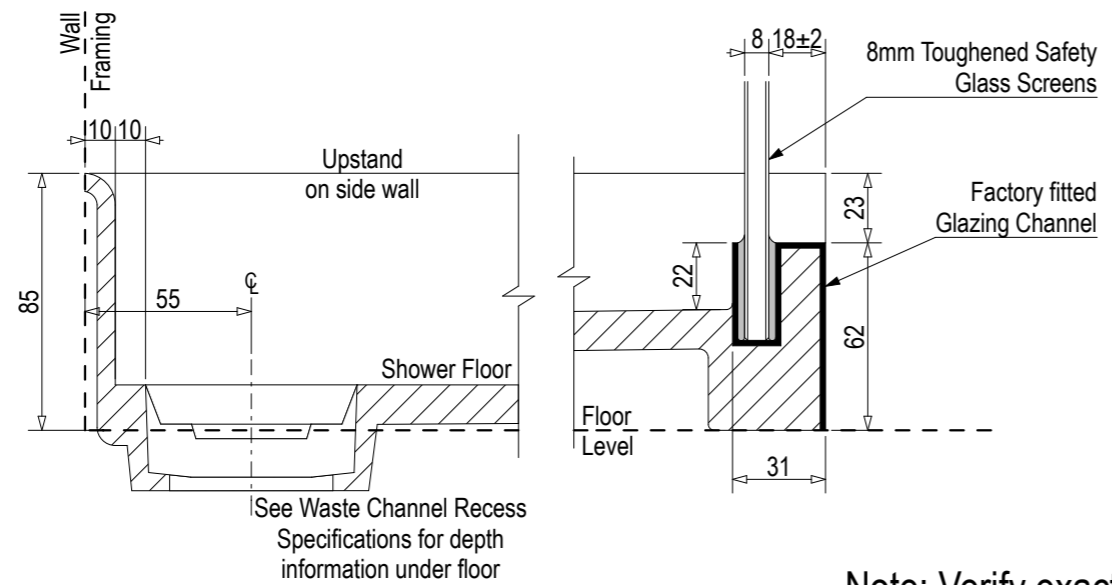
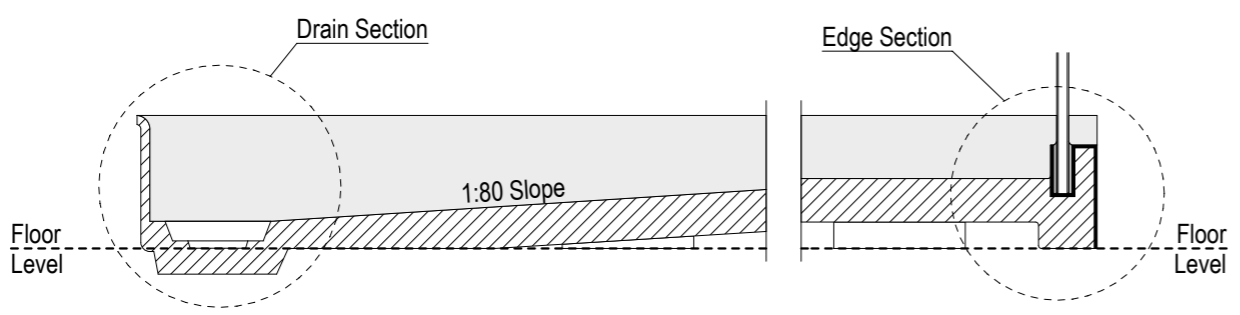
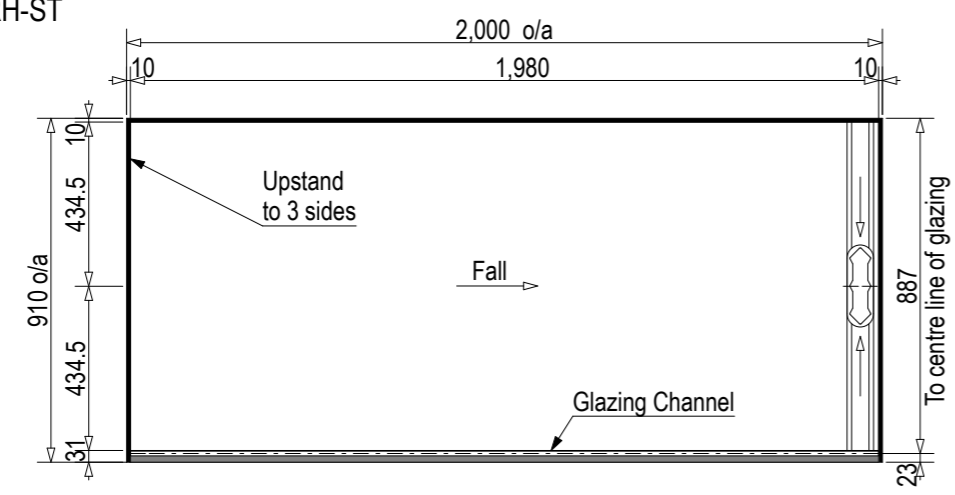




Note: Drain position central unless dimensioned otherwise

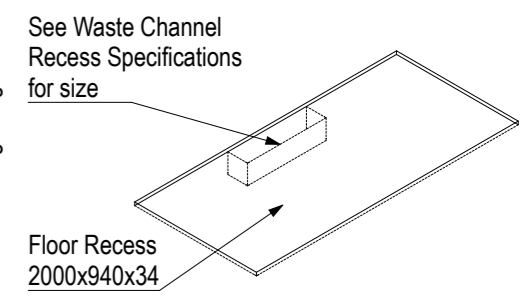
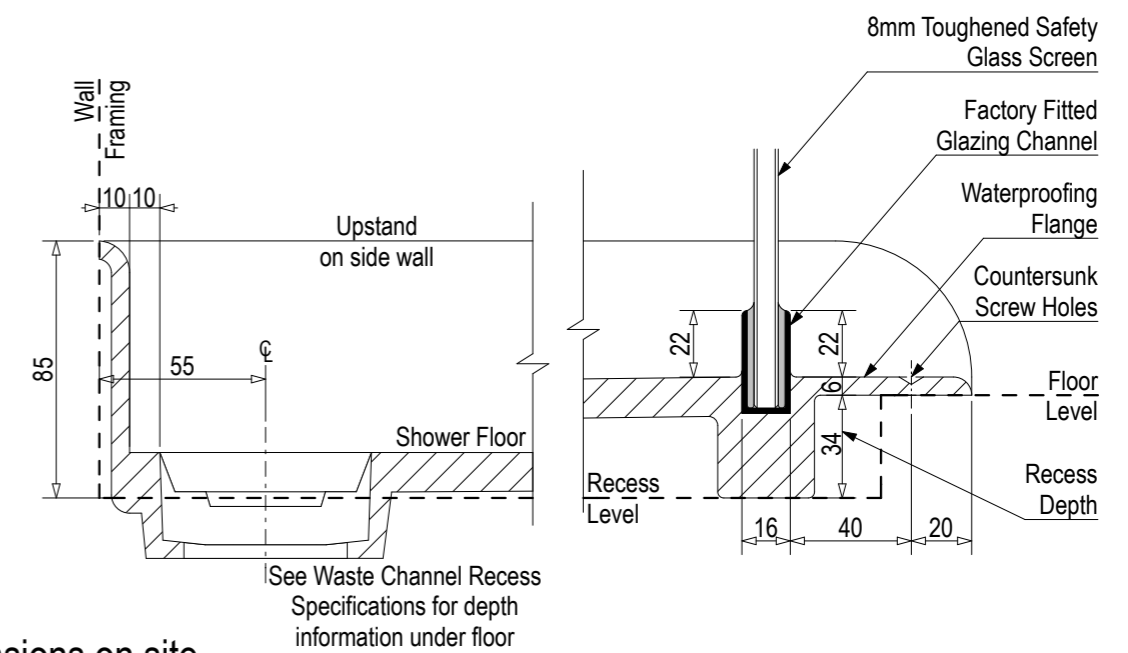
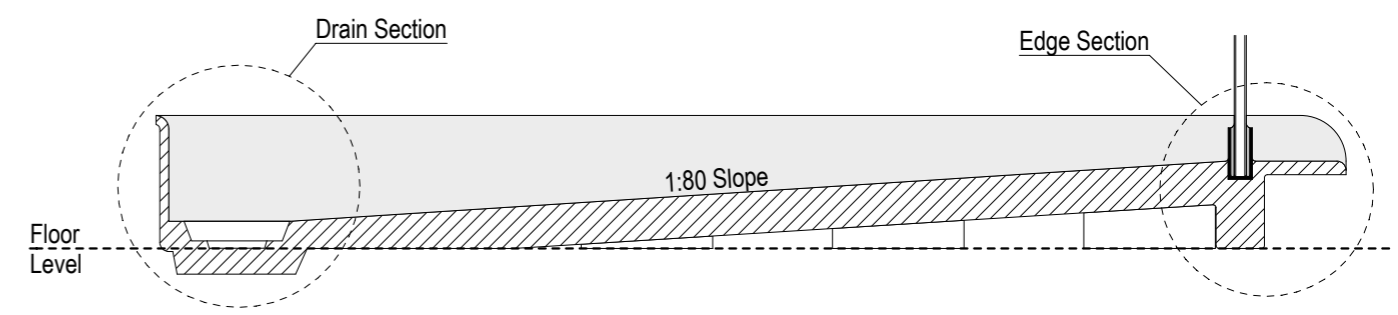
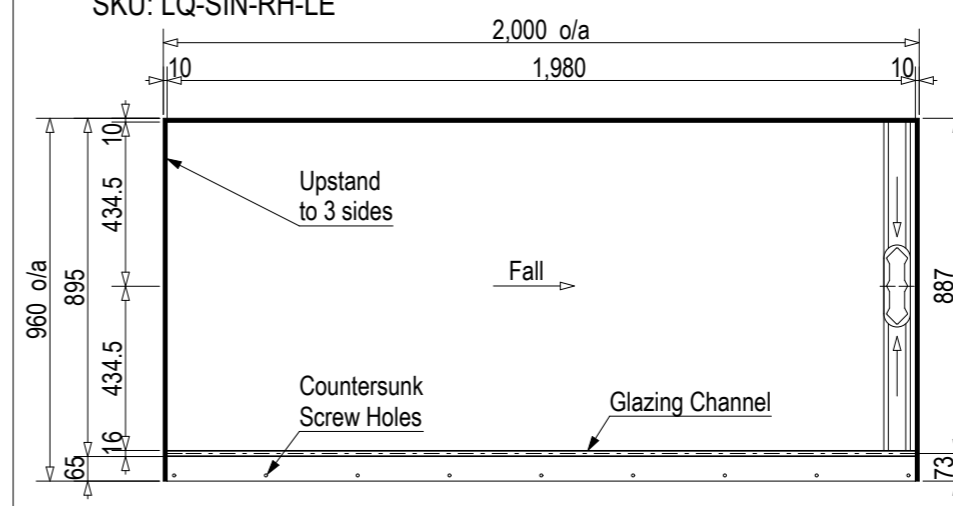
Step Entry

SKU: LQ-SIN-RH-ST



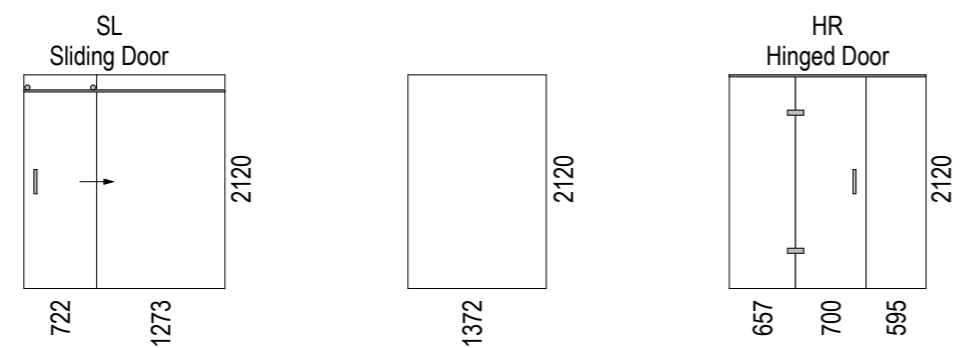
Level Entry

SKU: LQ-SIN-RH-LE



Note: Verify exact shower base dimensions on site

Screen Options:



All 3 Wall Screens are reversible

For more product information go to:
www.atlantis.co.nz/shop/linea-quattro/singapore-2000x900/

For installation instructions go to:
www.atlantis.co.nz/trade/installation/

AQUAPLANE WASTE FITTING

- EasyClean Waste with in-built trap
- 50L/min ultra flow rate
- Removable fin for easy cleaning
- 40/50mm outlet with swivel fitting
- Components bolt together for guaranteed watertightness

