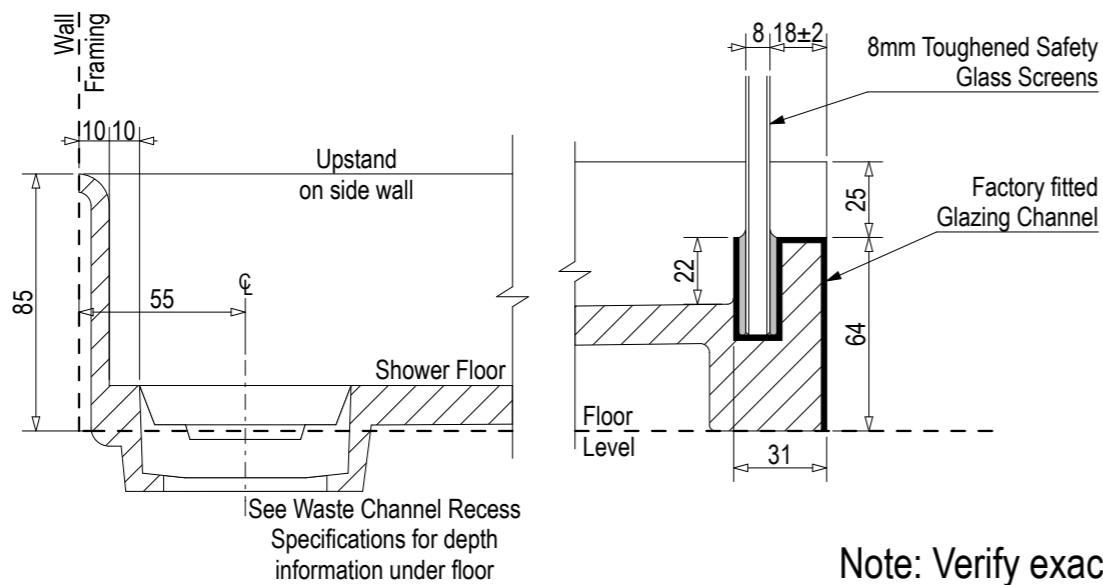
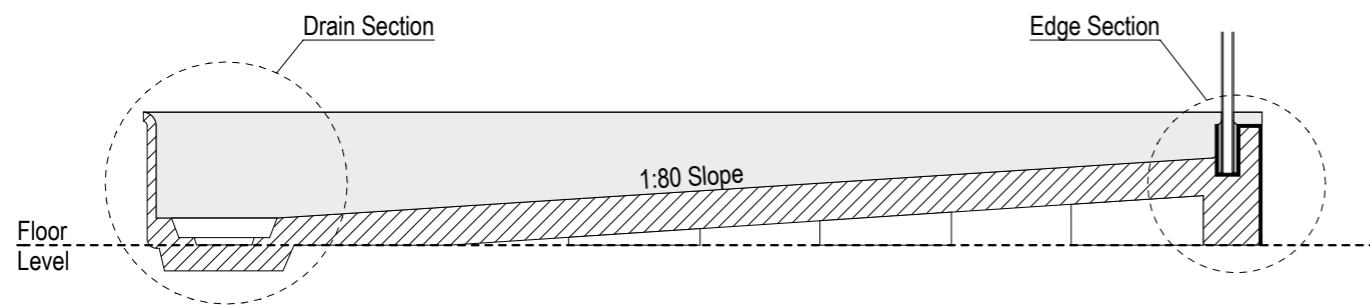
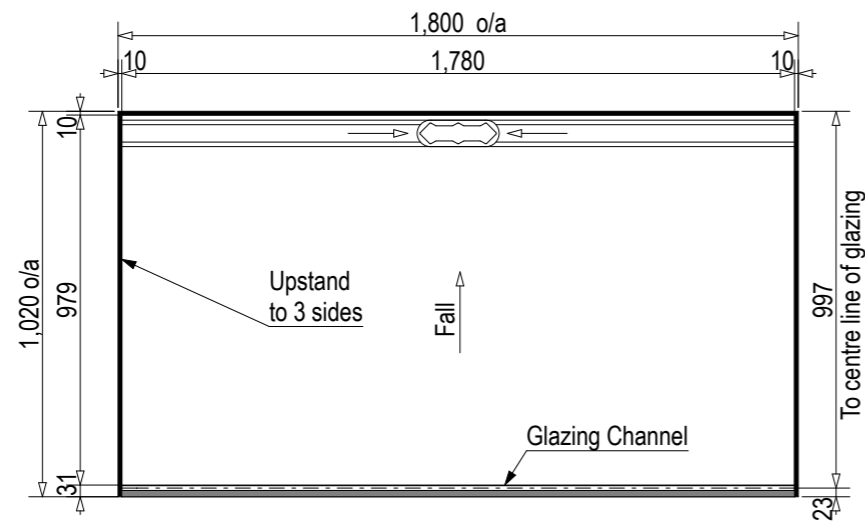


Note: Drain position central unless dimensioned otherwise

Step Entry

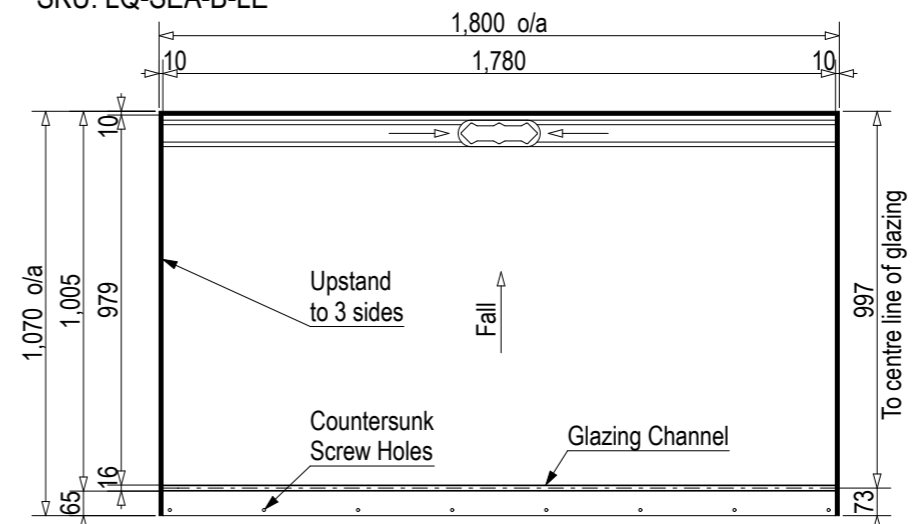
SKU: LQ-SEA-B-ST



See Waste Channel Recess Specifications for depth information under floor

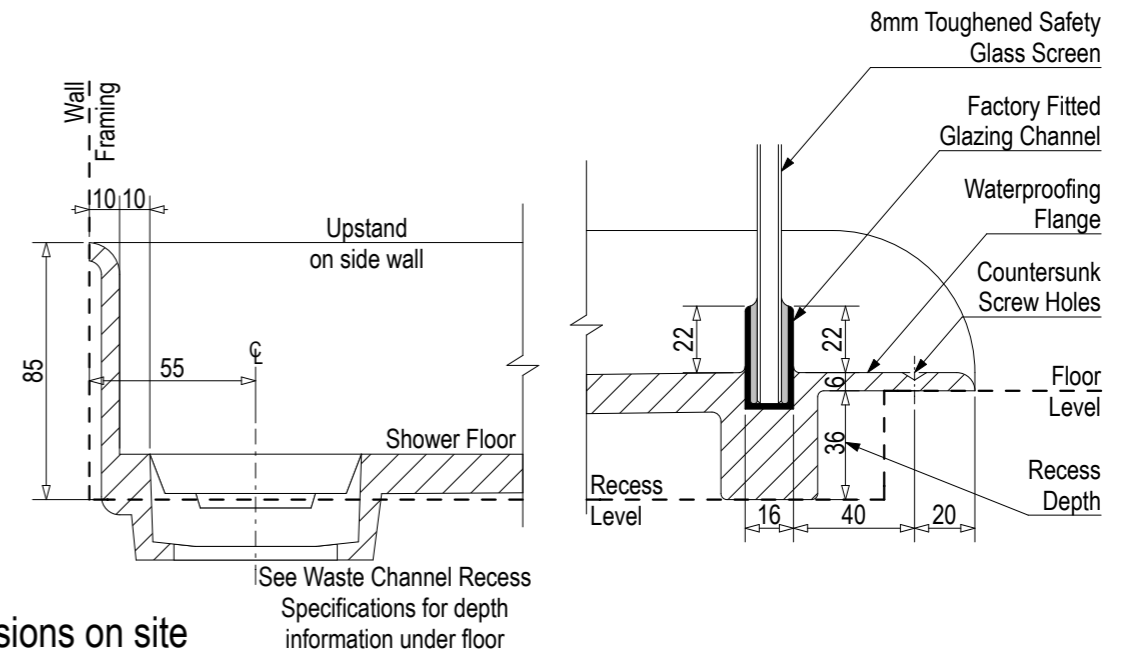
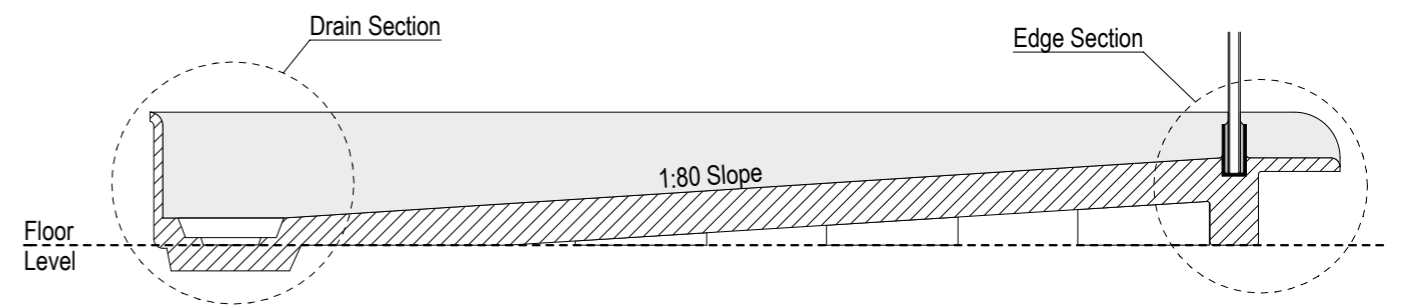
Level Entry

SKU: LQ-SEA-B-LE



See Waste Channel Recess Specifications for size

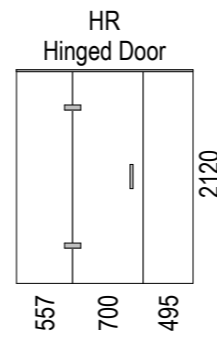
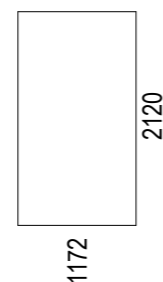
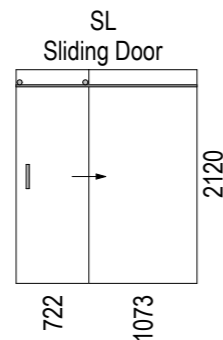
Floor Recess 1800x1040x36



See Waste Channel Recess Specifications for depth information under floor

Note: Verify exact shower base dimensions on site

Screen Options:



All 3 Wall Screens are reversible

For more product information go to:

www.atlantis.co.nz/shop/linea-quattro/seattle-1800x1000/

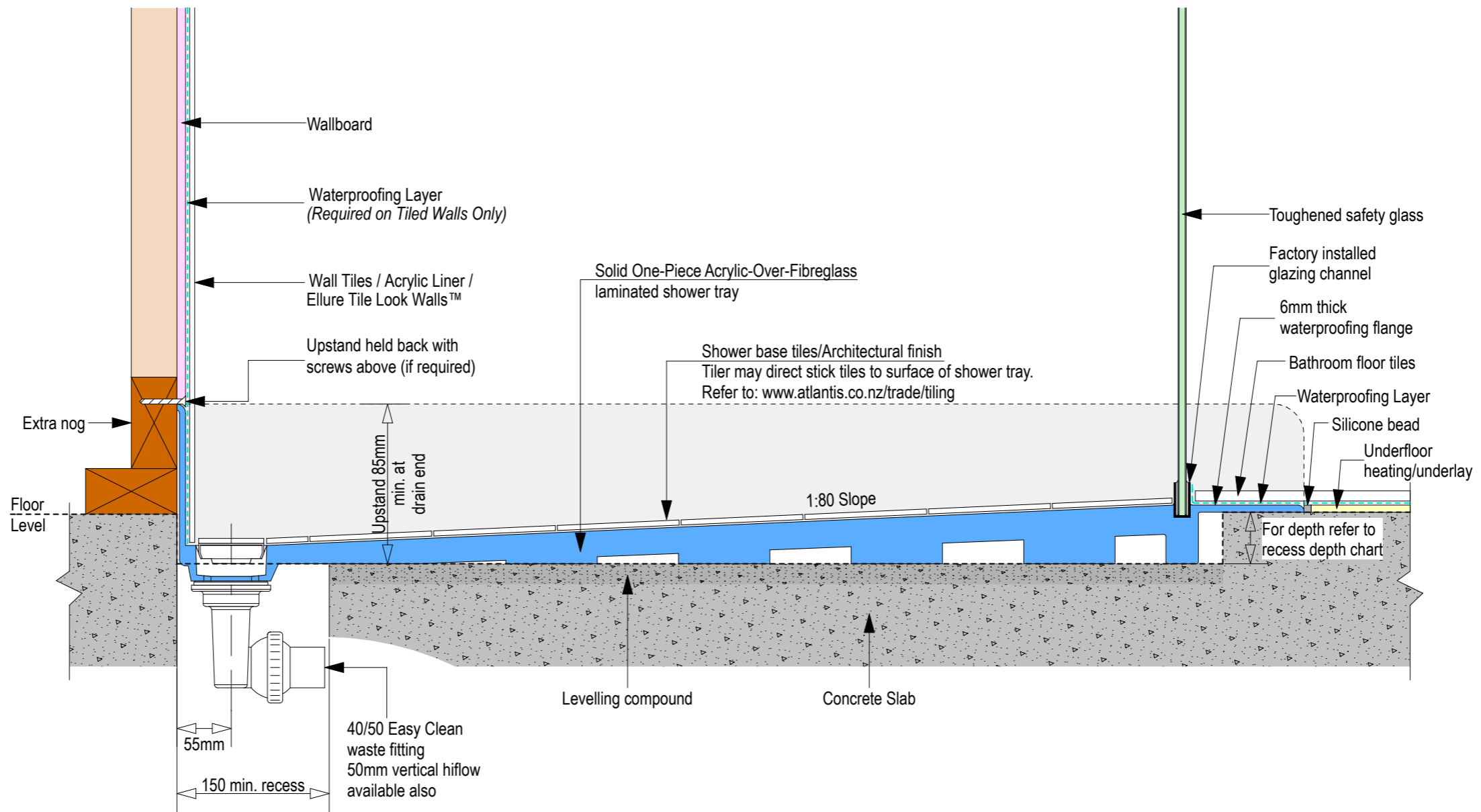
For installation instructions go to:

www.atlantis.co.nz/trade/installation/

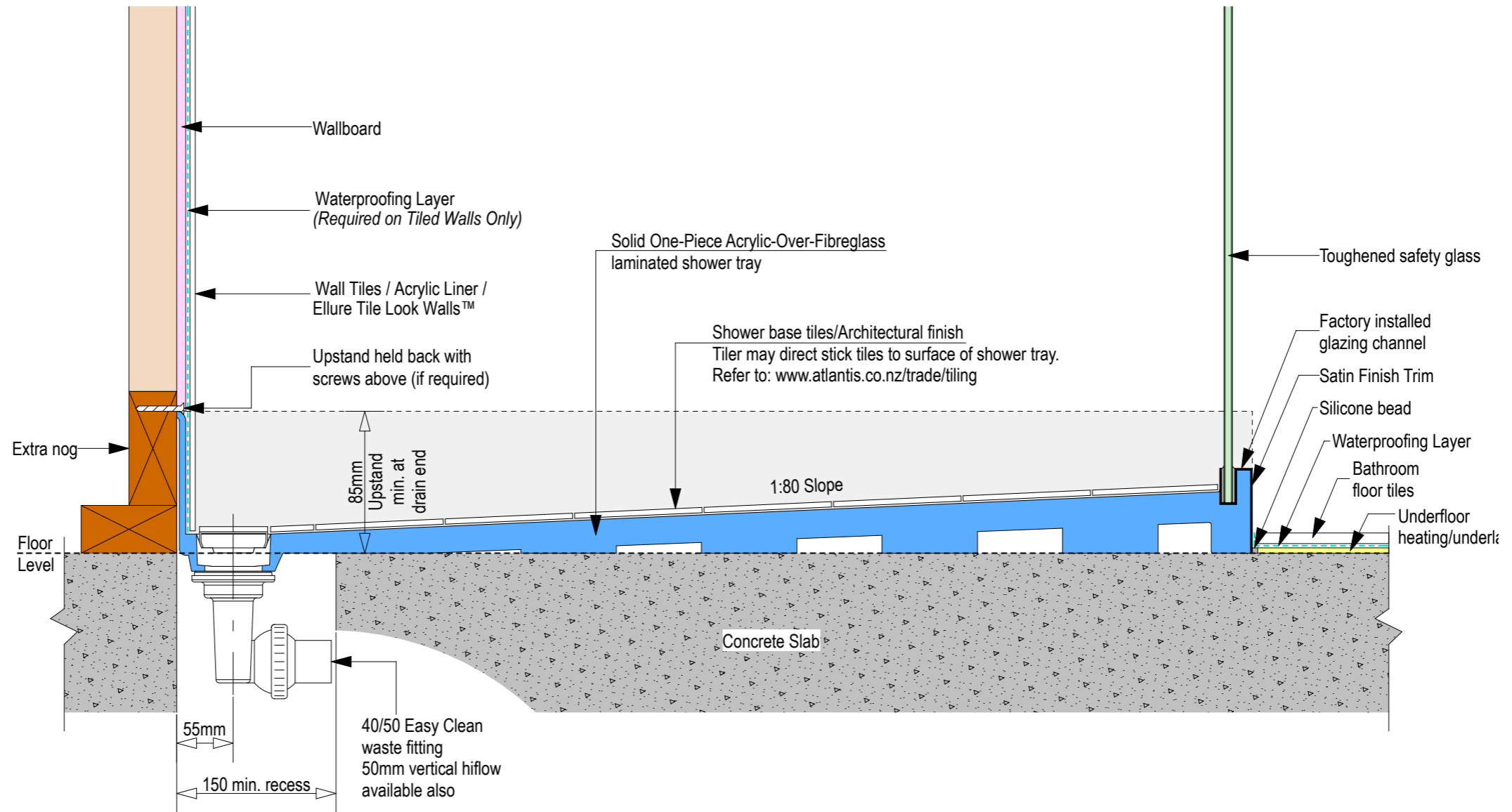
AQUAPLANE WASTE FITTING

- EasyClean Waste with in-built trap
- 50L/min ultra flow rate
- Removable fin for easy cleaning
- 40/50mm outlet with swivel fitting
- Components bolt together for guaranteed watertightness









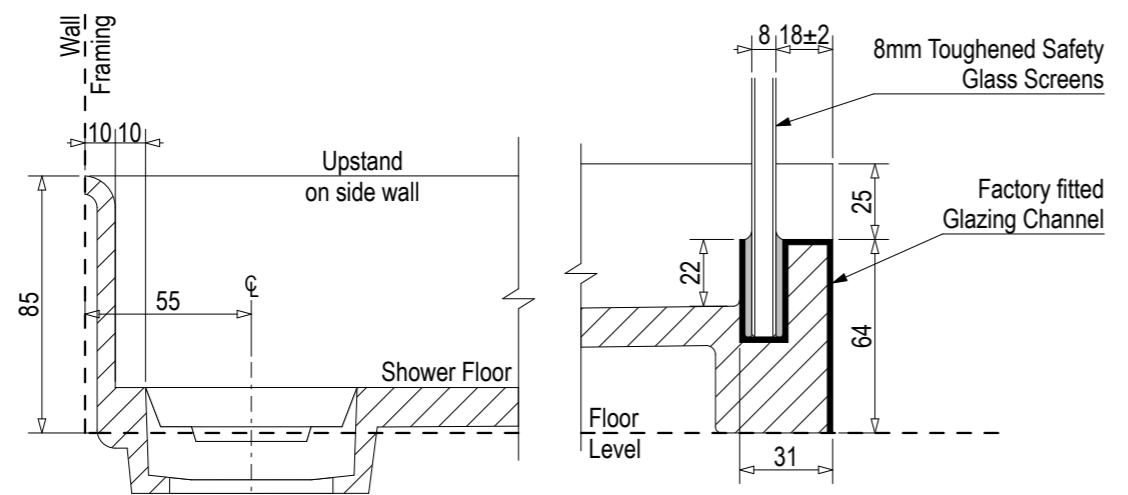
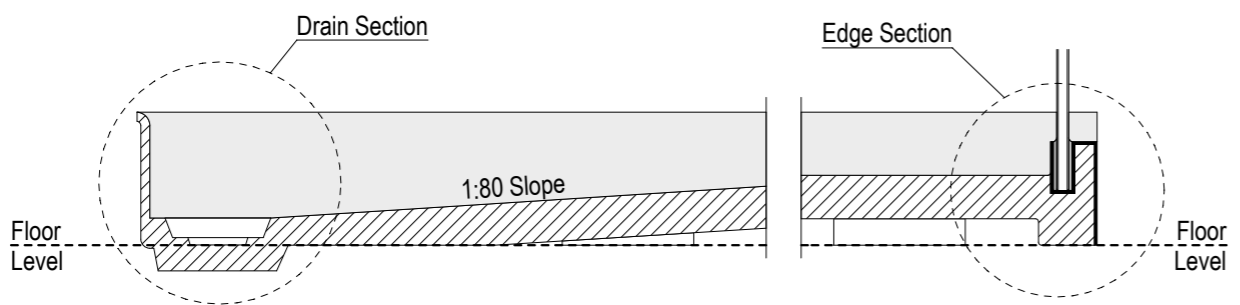
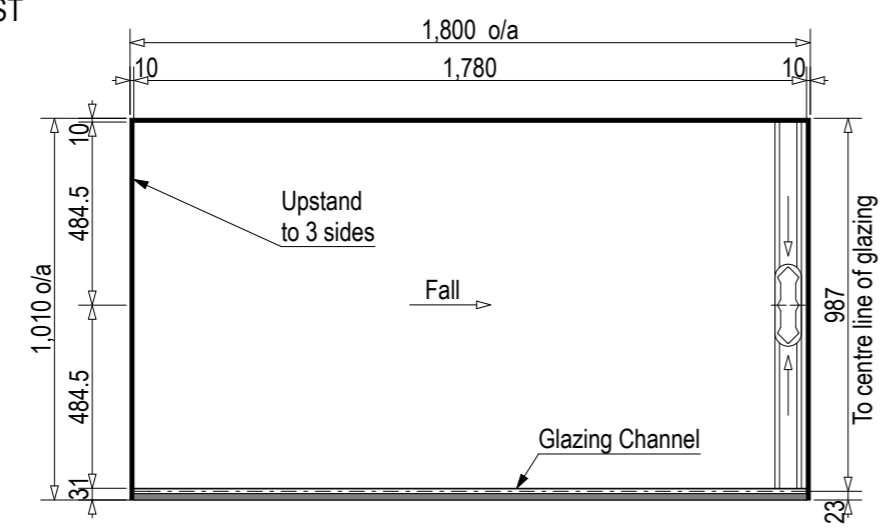




Note: Drain position central unless dimensioned otherwise

Step Entry

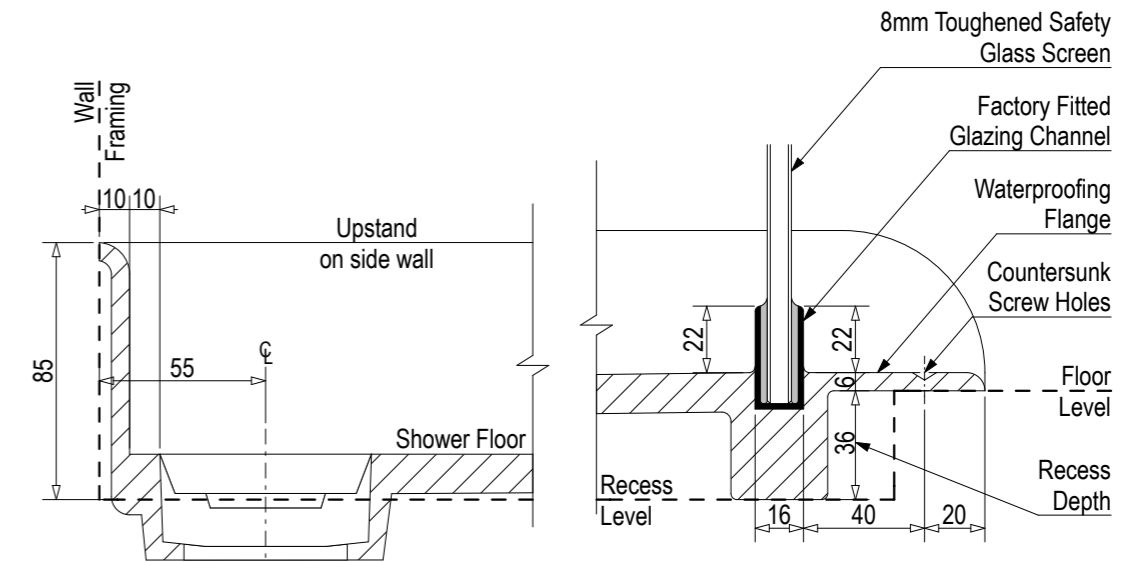
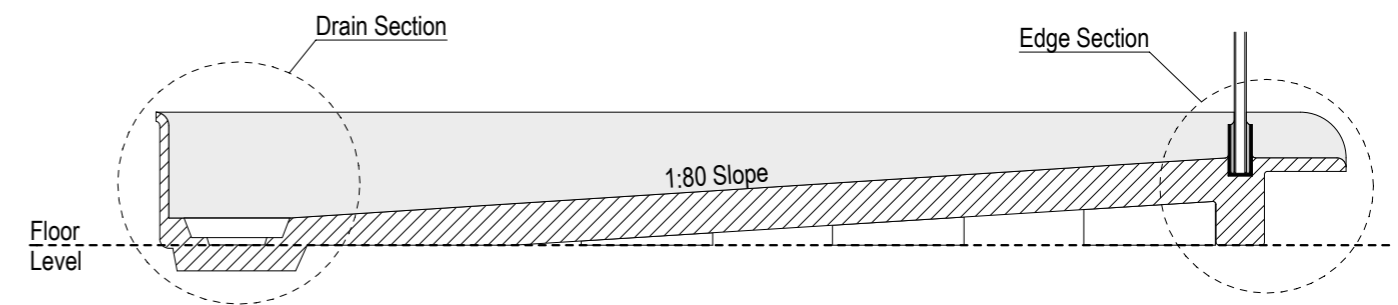
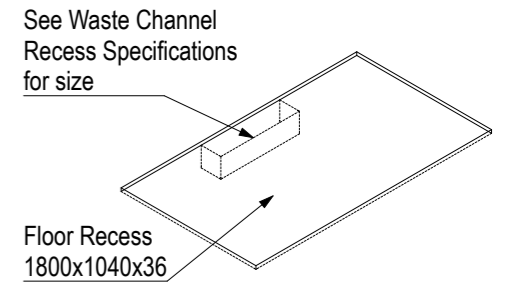
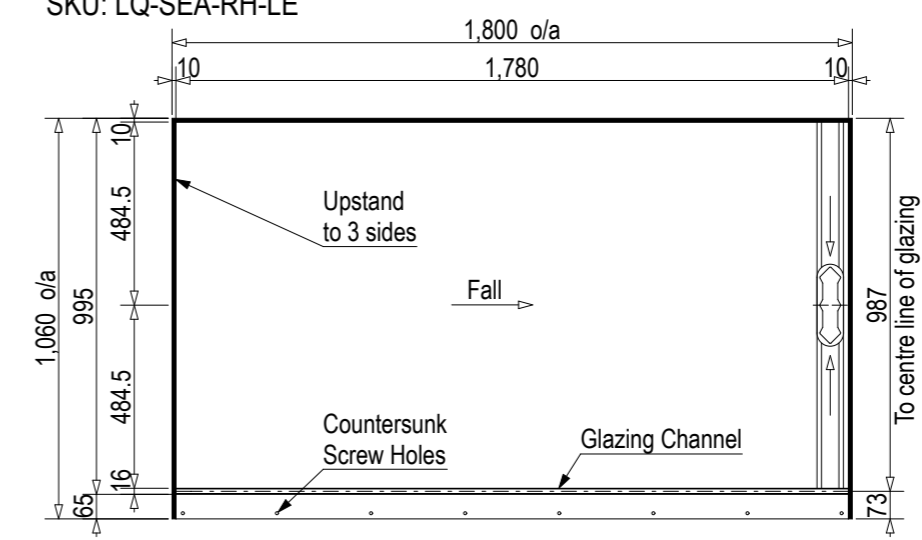
SKU: LQ-SEA-RH-ST



See Waste Channel Recess Specifications for depth information under floor

Level Entry

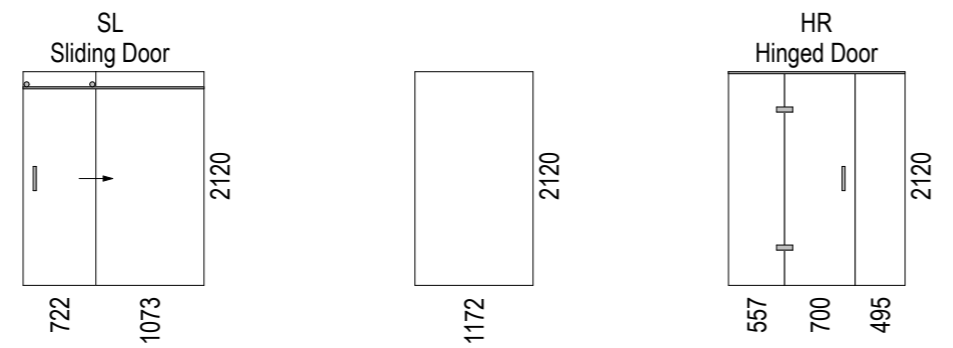
SKU: LQ-SEA-RH-LE



See Waste Channel Recess Specifications for depth information under floor

Note: Verify exact shower base dimensions on site

Screen Options:



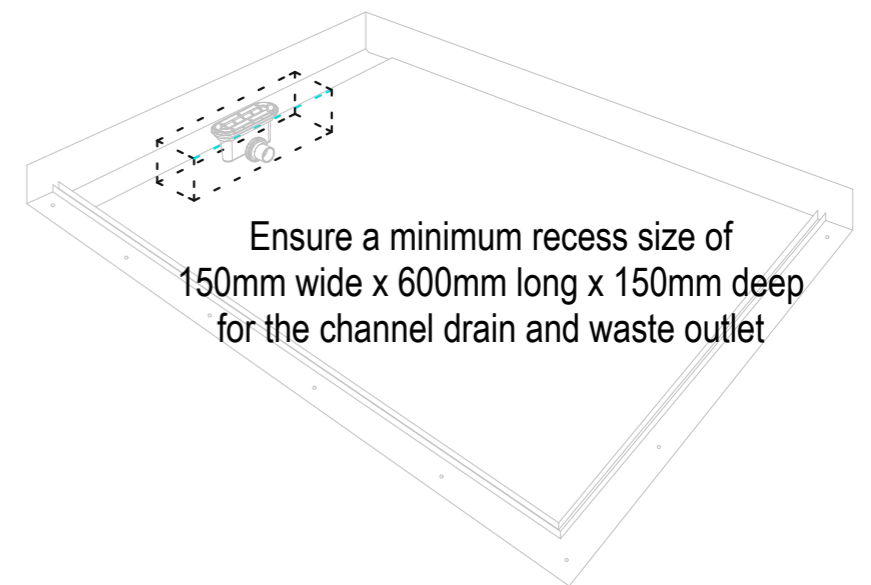
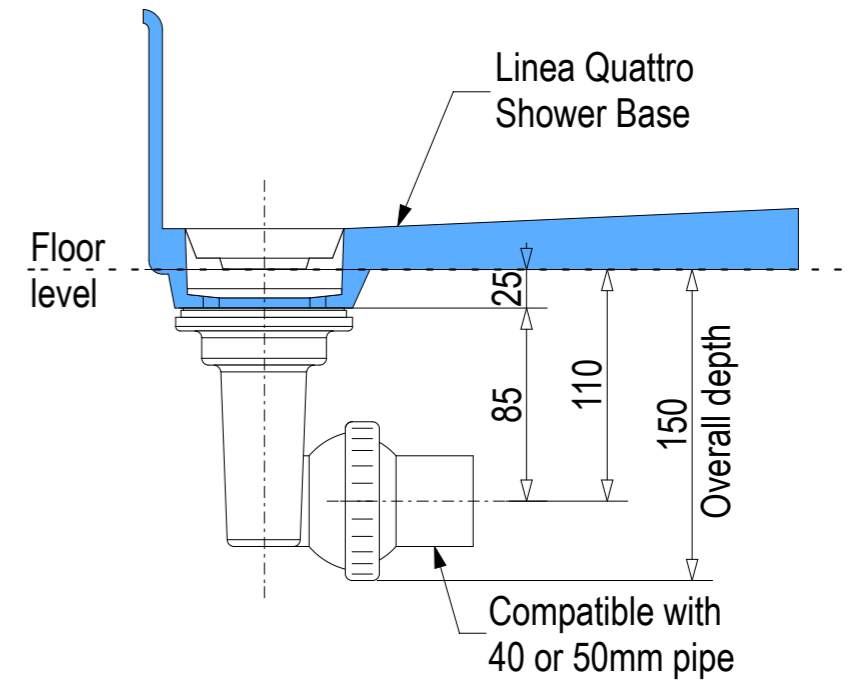
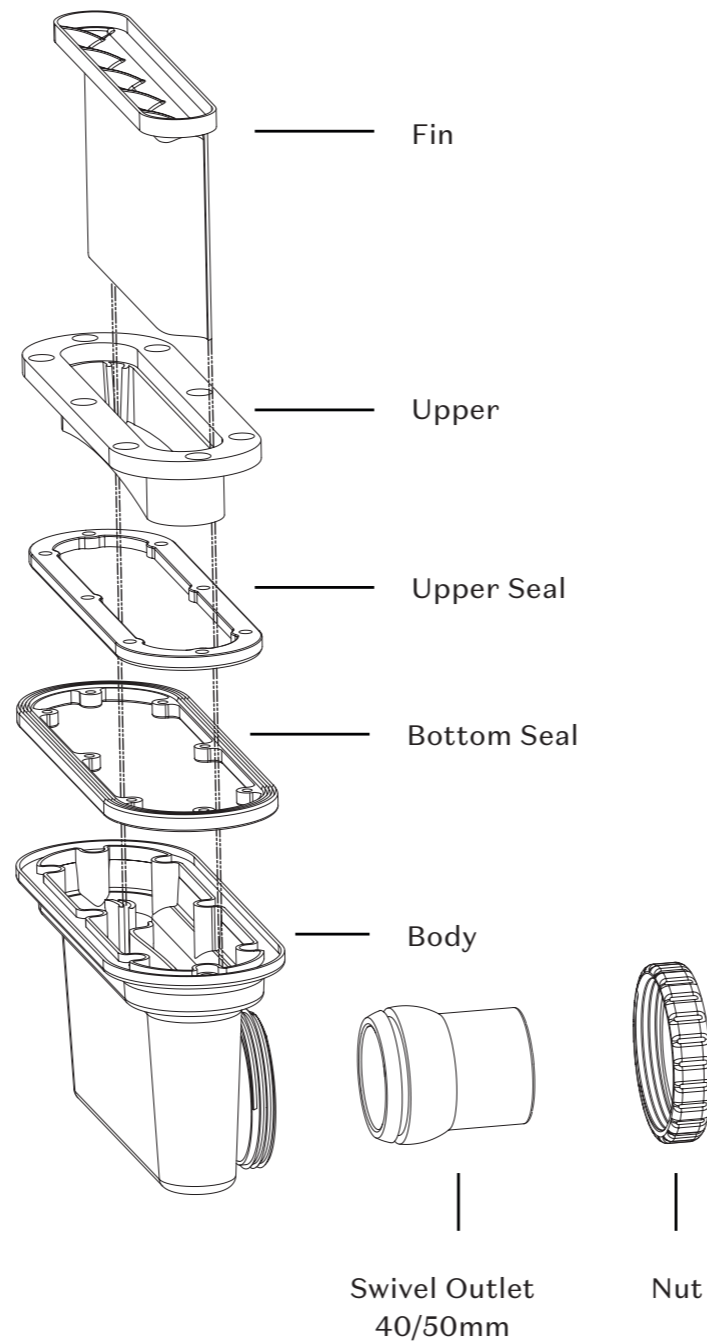
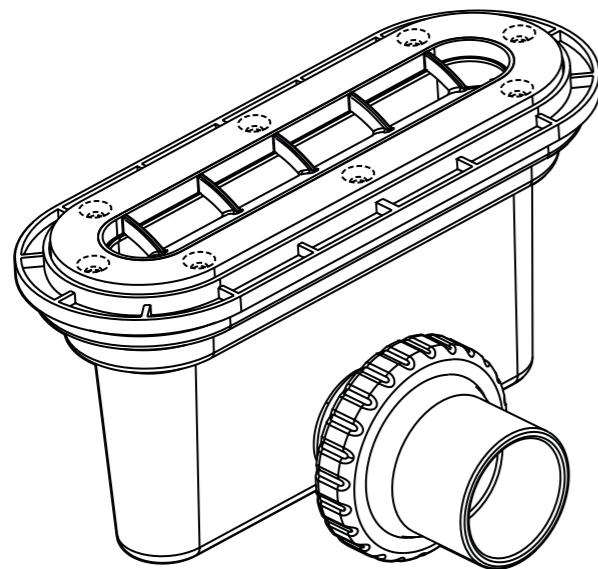
All 3 Wall Screens are reversible

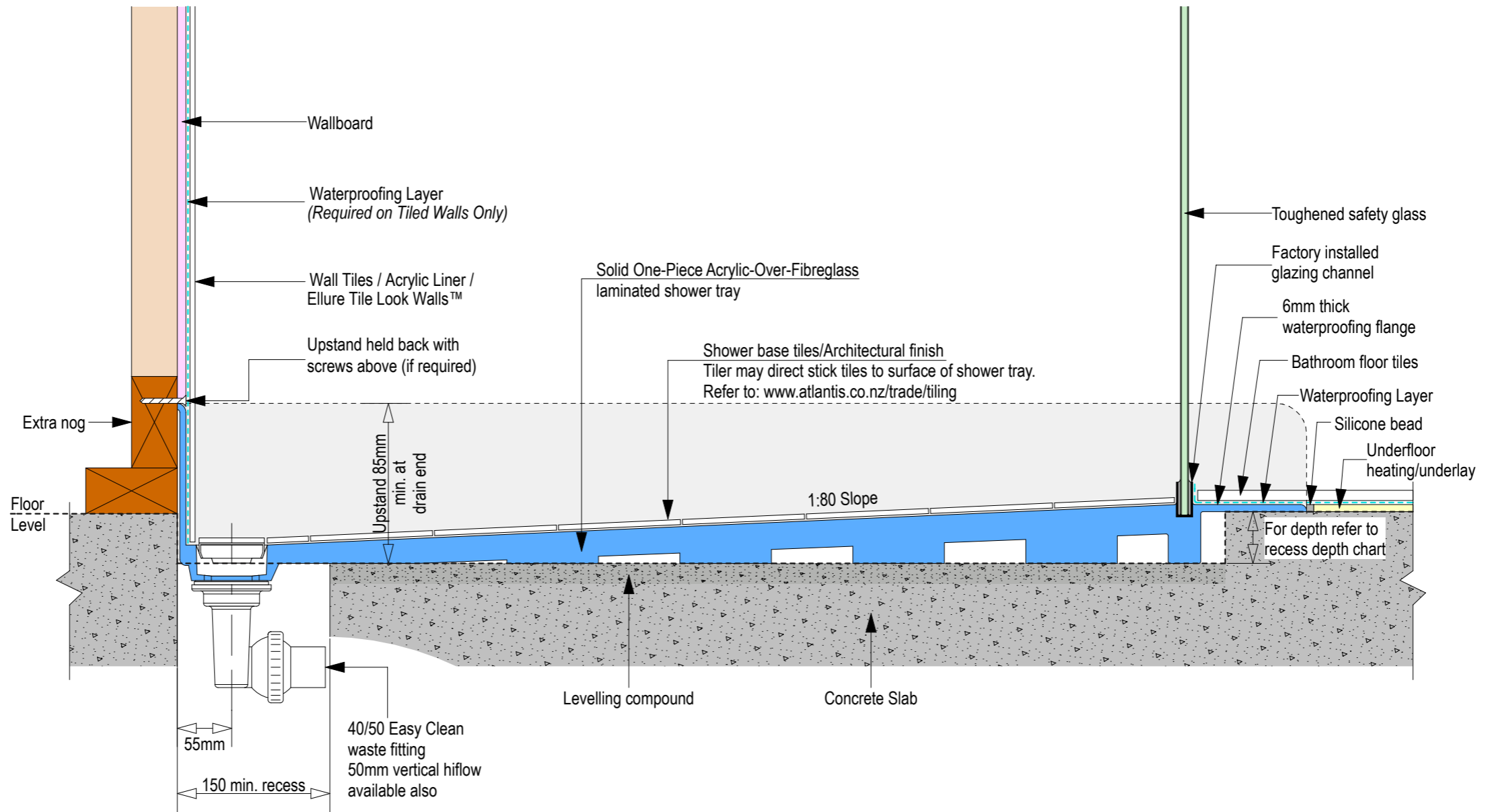
For more product information go to:
www.atlantis.co.nz/shop/linea-quattro/seattle-1800x1000/

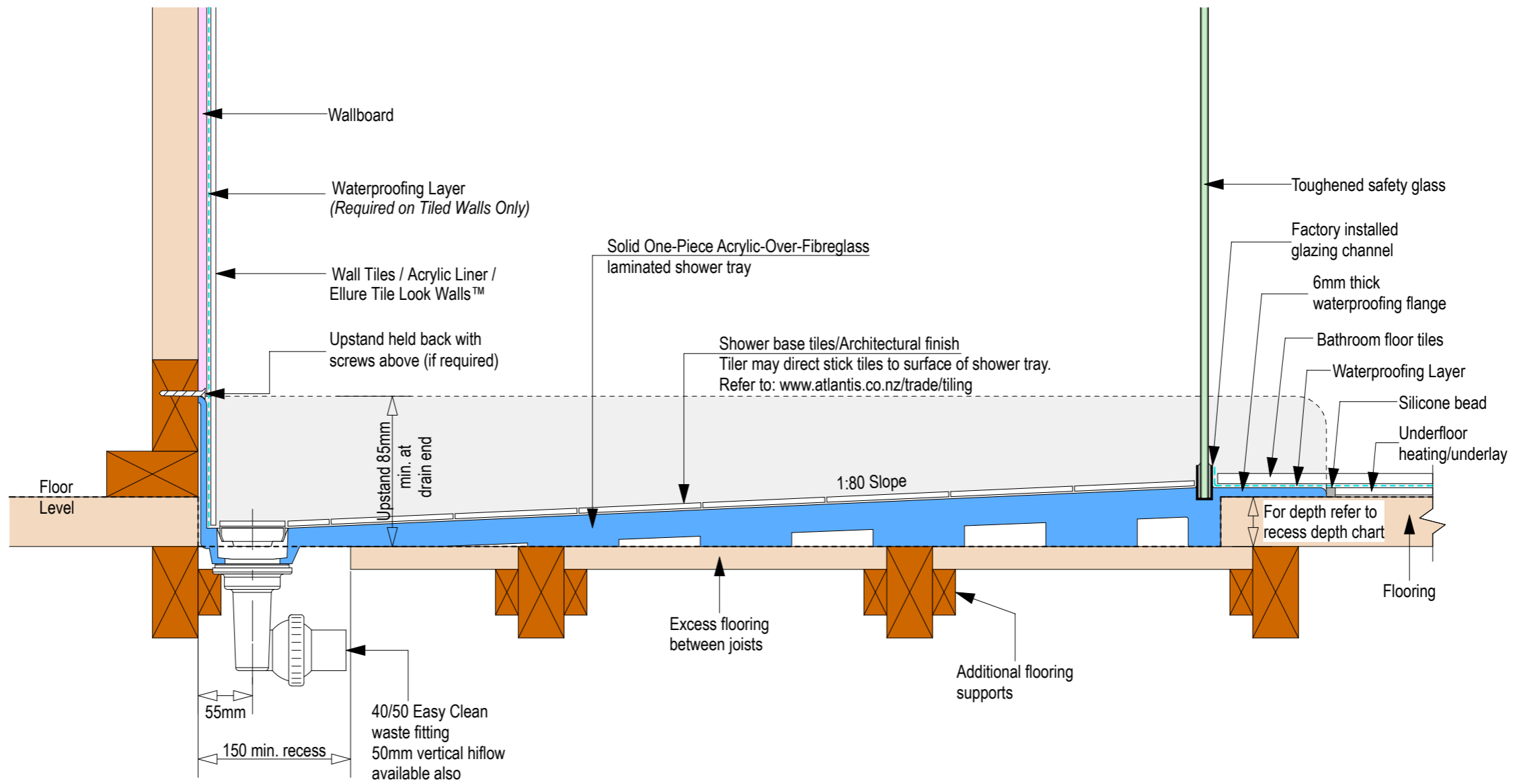
For installation instructions go to:
www.atlantis.co.nz/trade/installation/

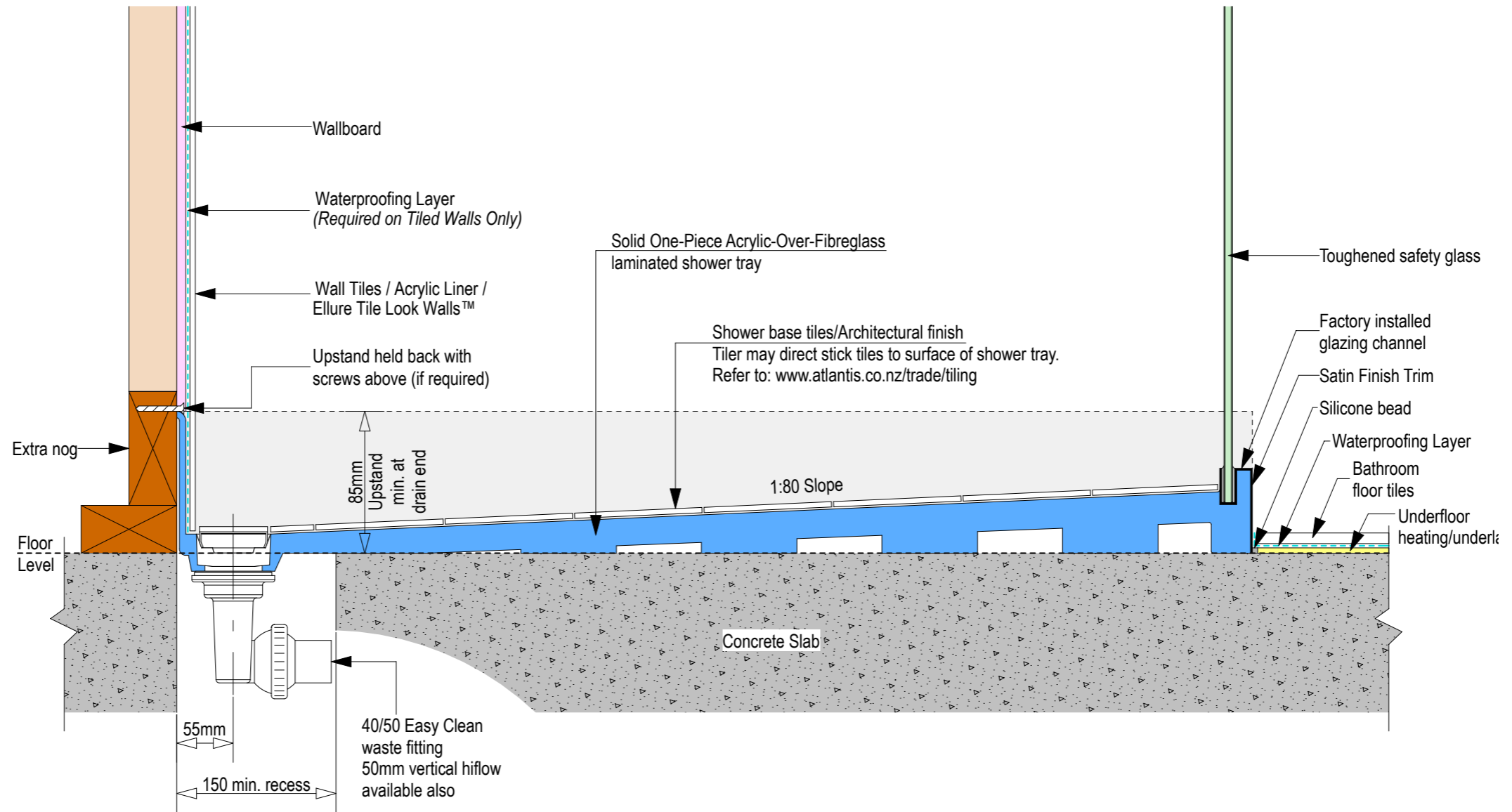
AQUAPLANE WASTE FITTING

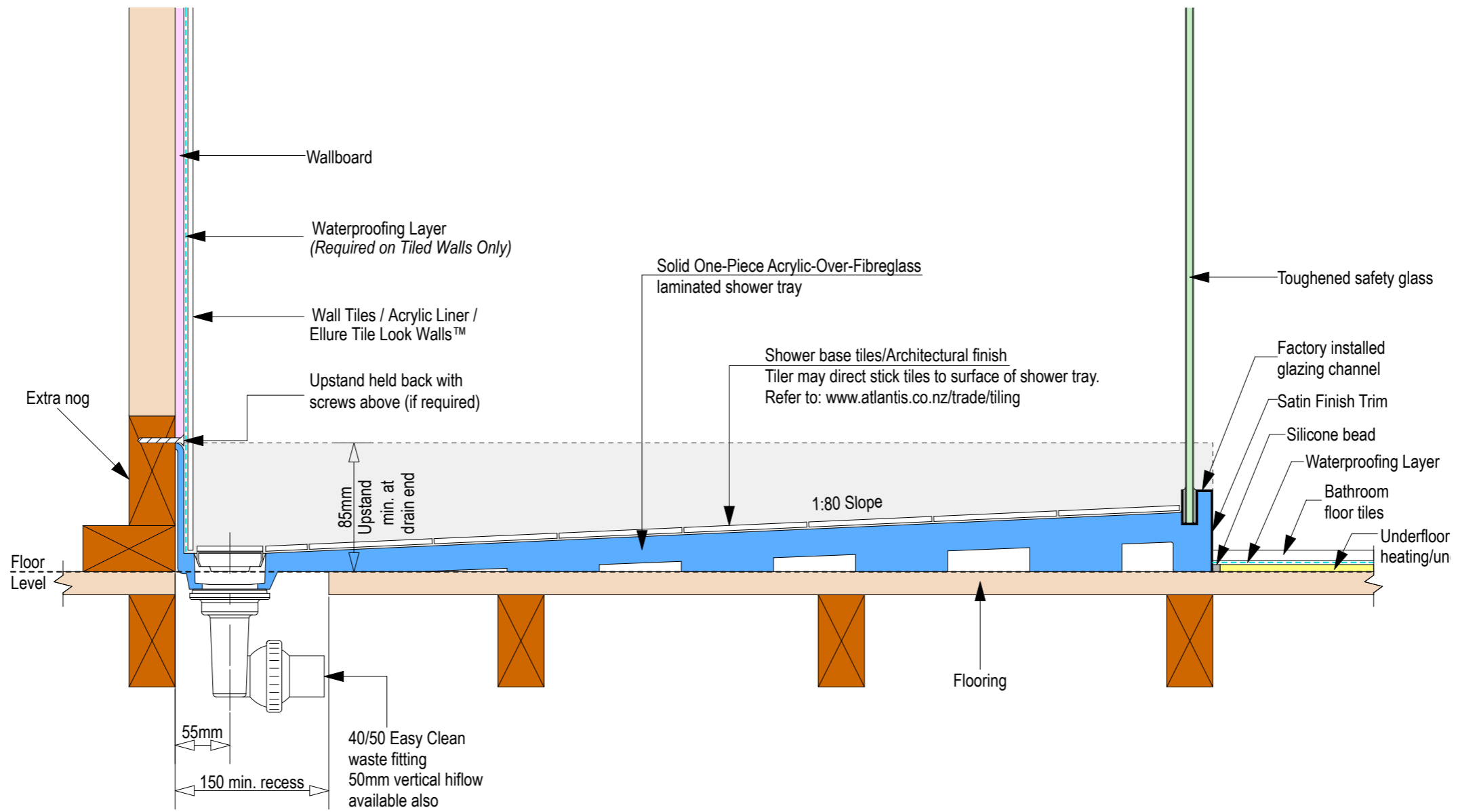
- EasyClean Waste with in-built trap
- 50L/min ultra flow rate
- Removable fin for easy cleaning
- 40/50mm outlet with swivel fitting
- Components bolt together for guaranteed watertightness

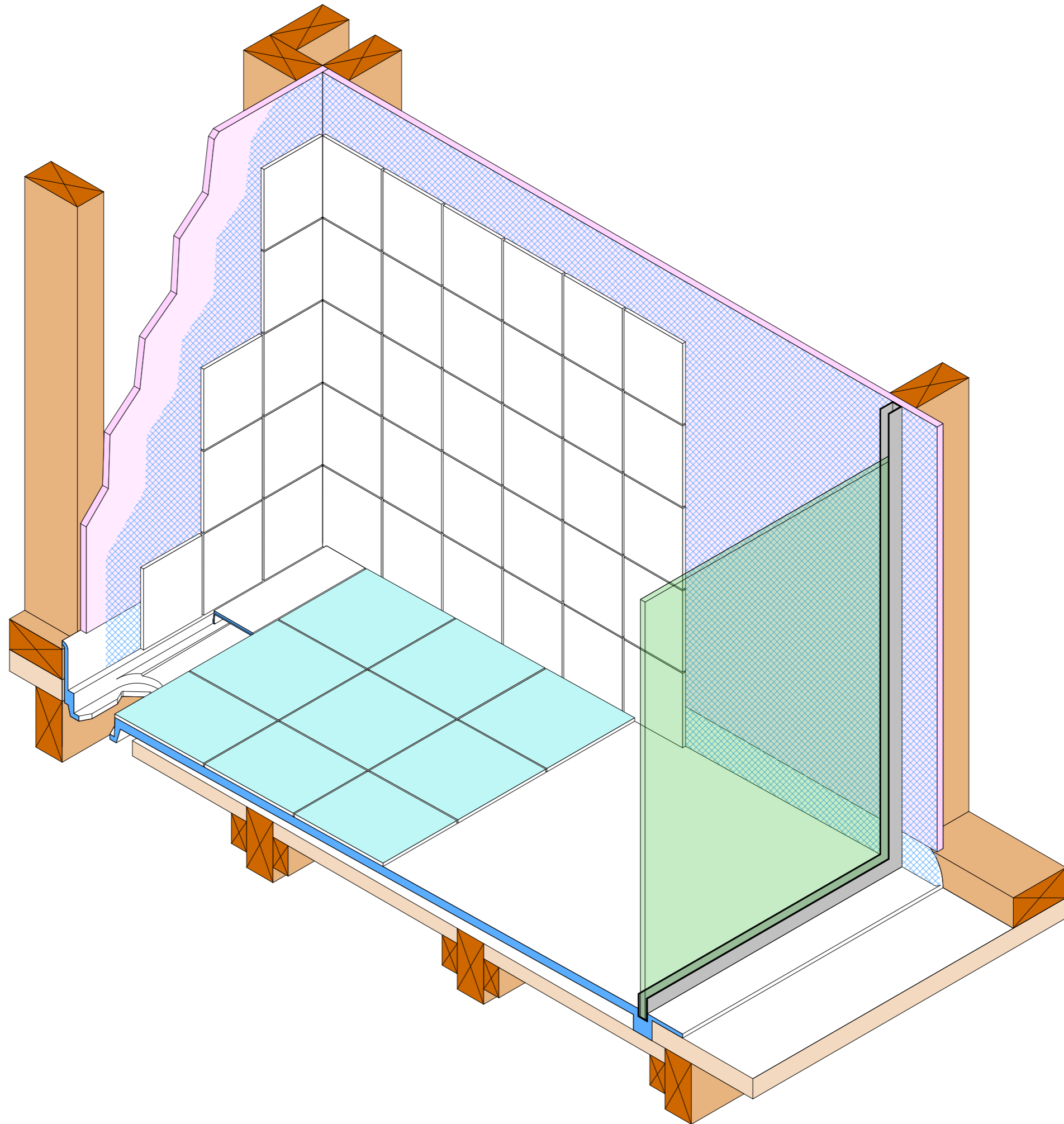








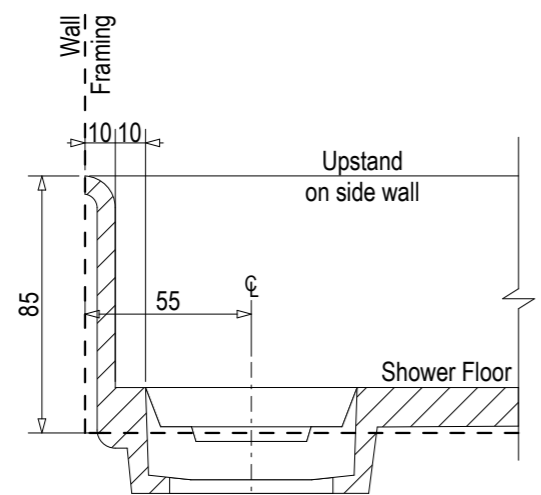
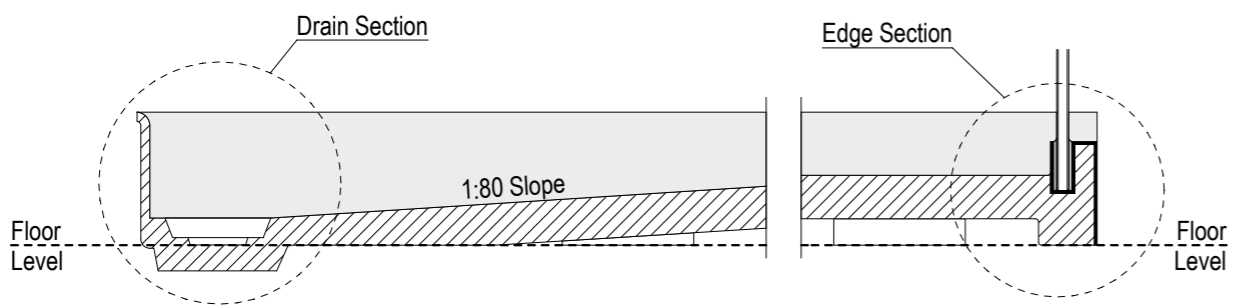
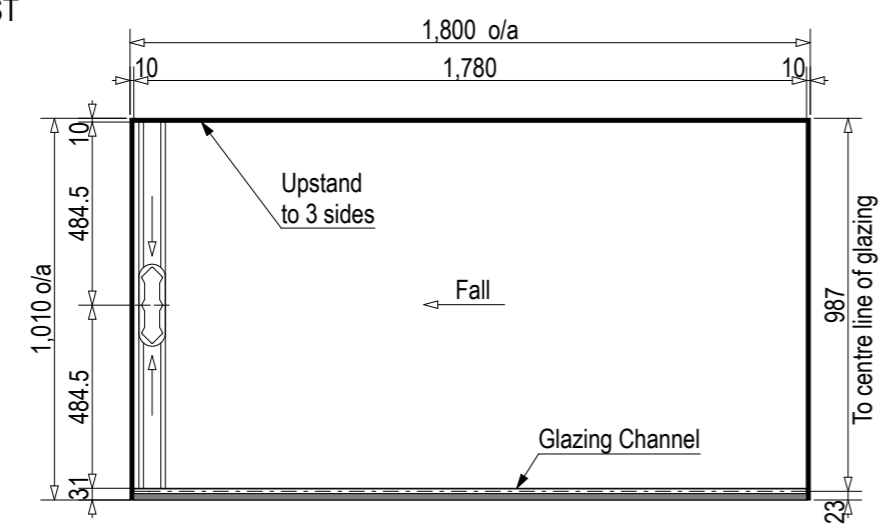




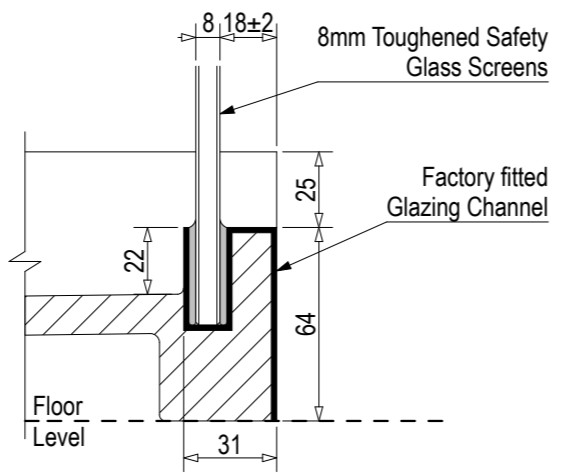
Note: Drain position central unless dimensioned otherwise

Step Entry

SKU: LQ-SEA-LH-ST

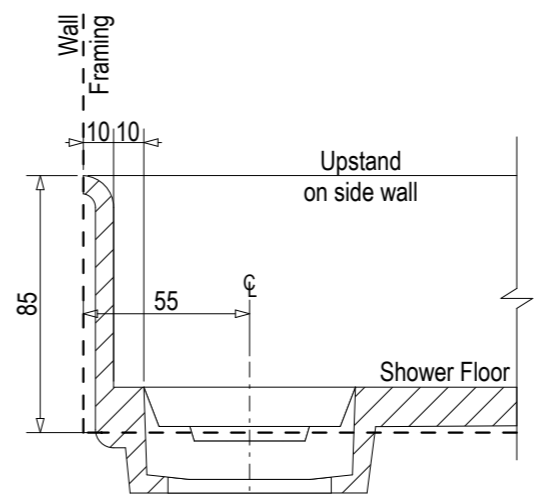
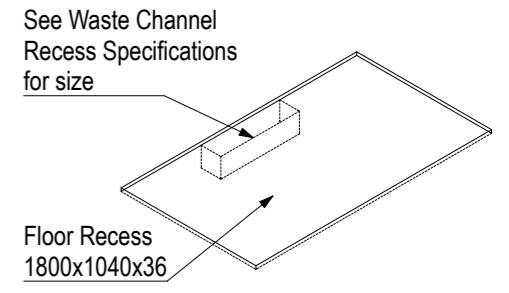
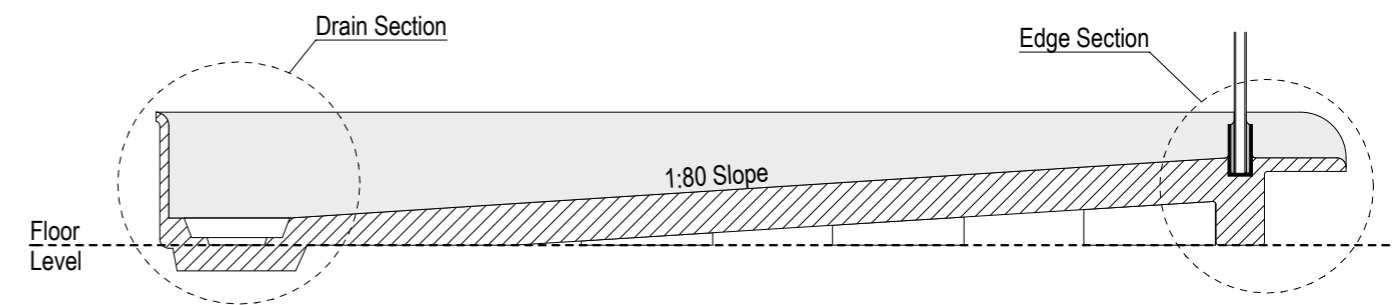
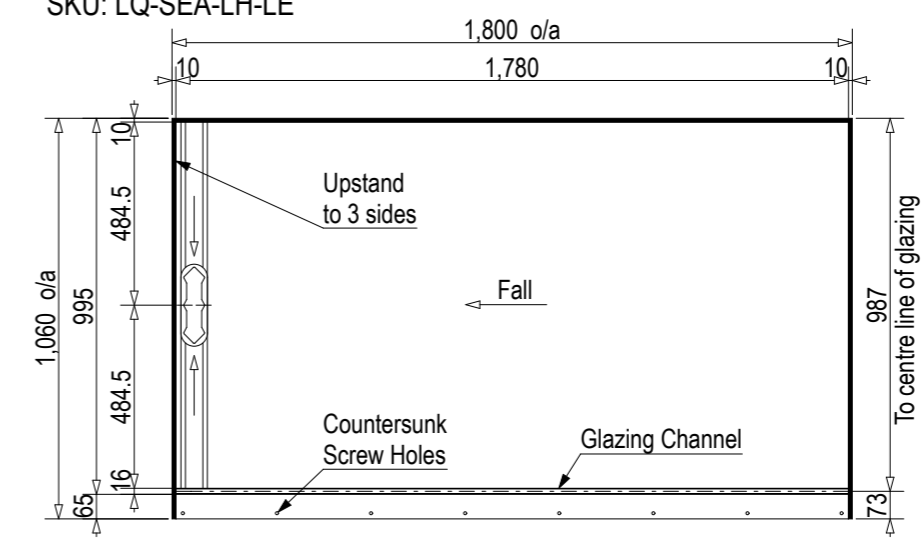


See Waste Channel Recess Specifications for depth information under floor

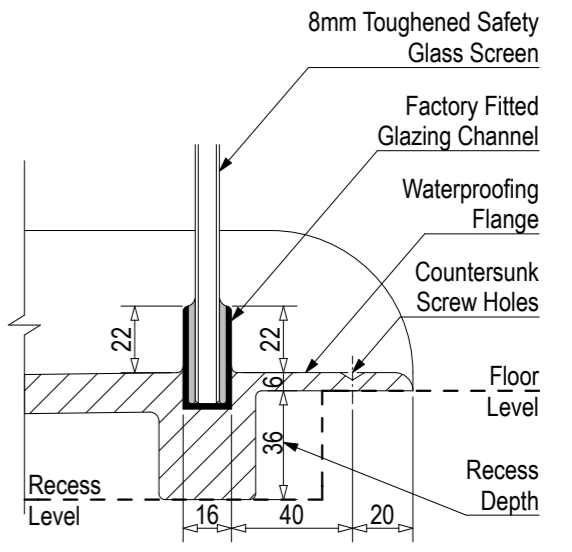


Level Entry

SKU: LQ-SEA-LH-LE

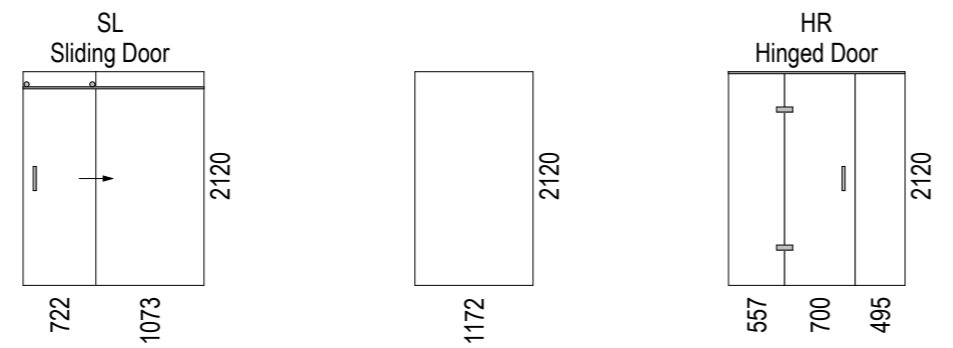


See Waste Channel Recess Specifications for depth information under floor



Note: Verify exact shower base dimensions on site

Screen Options:



All 3 Wall Screens are reversible

For more product information go to:
www.atlantis.co.nz/shop/linea-quattro/seattle-1800x1000/

For installation instructions go to:
www.atlantis.co.nz/trade/installation/

AQUAPLANE WASTE FITTING

- EasyClean Waste with in-built trap
- 50L/min ultra flow rate
- Removable fin for easy cleaning
- 40/50mm outlet with swivel fitting
- Components bolt together for guaranteed watertightness

