

ECLIPSE Black Round Slide Shower VECL042



TECHNICAL DETAILS

1/2" (15mm) Inlet Supply Elbow

Mains Pressure Only

Max. Pressure 500kpa

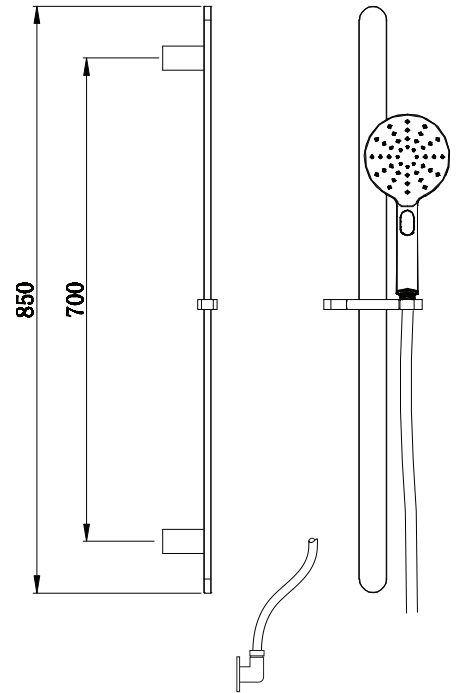
Min. Pressure 150kpa

Max. Temp 65deg.C

10 Year Warranty

2 Year Warranty on Colour Coating

WELs Rating: Mains 3 Star; 7.0L/min



FINISH

CODE

BLACK

VECL042



ECLIPSE Black Square Slide Shower VECL043



TECHNICAL DETAILS

1/2" (15mm) Inlet Supply Elbow
Mains Pressure Only
Max. Pressure 500kpa
Min. Pressure 150kpa
Max. Temp 65deg.C
2 Year Warranty
WELs Rating: Mains 3 Star; 7.0L/min

FINISH	CODE
CHROME	VECL043

