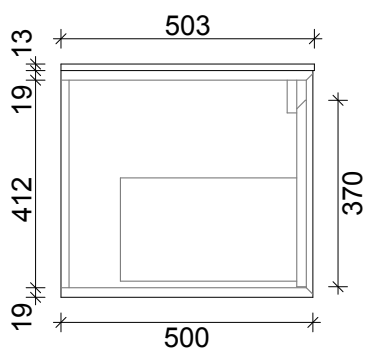


SPECIFICATION SHEET
EDGE 1500 3 DRAW LH WALL HUNG
SOLID SURFACE TOP



TOP VIEW



PRIMO BATHROOMWARE
3 EDISON PLACE
(03) 384-2471
EMAIL: enquiries@primobathroomware.co.nz