

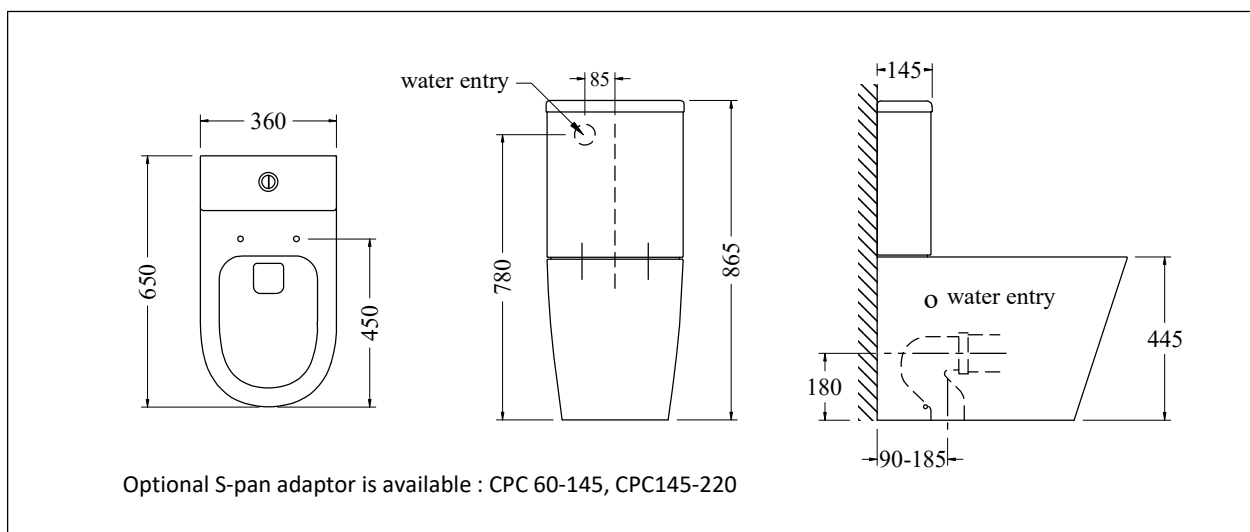
CODE PURE BTW OVERHEIGHT TOILET SUITE Installation Instructions

IMPORTANT

- Inspect your new toilet suite before installation to ensure no damage has occurred during transit. If damage has occurred, or visible defects exist, do not proceed with installation and advise the retailer immediately. No claims will be accepted after installation commenced.
- It is recommended that toilet seat and cover be installed after all trades has completed.
- All measurements for roughing-in should be taken from finished wall/floor.
- All installation works must be done by qualified trade persons.
- Elite bathroomware will not be liable for the cost of installation or removal of the toilet and the warranty will be voided if damage occurs during or after installation.

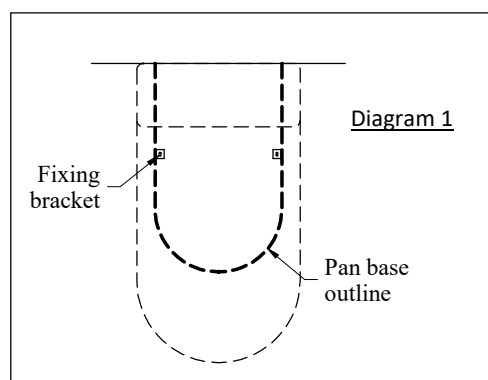
DESCRIPTION

- This suite is a fully concealed, back to wall suite that has a variable set out of pan.
- This suite can be connected in a P-trap configuration (fittings not supplied). It can also be connected in a S-trap configuration with an adjustable S-trap convertor fitting (supplied) with 90-185 setting.
- This suite comes with a rear back entry water inlet valve. Position shown in diagram below.
- The cistern is bolted to the pan from inside of cistern tank and can be removed, if necessary, for servicing without removing the pan.
- The suite has a soft close seat that is attached via top-fixed bolts. The seat is removable for cleaning and replaceable without removing the pan.



INSTALLATION

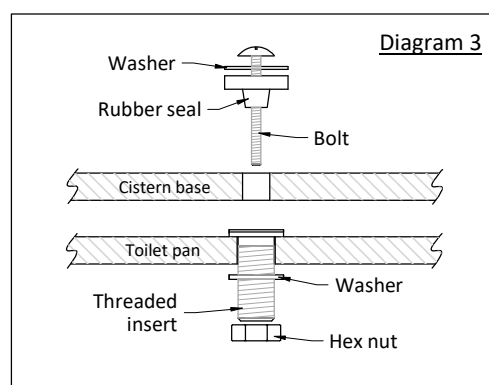
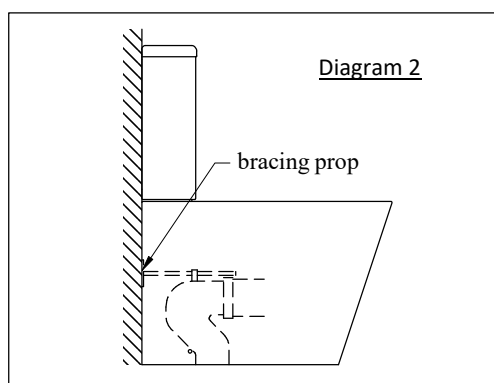
- Check site roughing-in, cistern tap position and assembly dimensions before start installation.
- The toilet pan must be installed on a level surface. If the wall or floor is out of level, a gap will show at the top or bottom against the wall.
- Place the pan in position ensuring it is aligned with the centerline of the sewer connection.
- Mark on the floor - the location of pan fixing bolt holes.
- Remove pan and locate the position of floor brackets. Fix floor fixing brackets to the floor (Diagram 1).



CODE PURE BTW OVERHEIGHT TOILET SUITE Installation Instructions

INSTALLATION (cont'd....)

- For P-trap installation
A pan connector (not supplied) and extension (not supplied) will be required.
Place the pan into position ensuring it seals firmly to the pan connector.
- For S-trap installation
Adjust the bracing prop and pan convertor to correct length which to suit the set out.
Install the convertor and screw the bracing prop to the back wall.
Align and push the toilet pan back to the wall.
Check the outlet connection fits with the pan and is fully back against the wall (Diagram 2).
- Insert floor bracket screws through the fixing holes and hold the pan in position.
- Attach decorative caps.



- Peel off paper from self adhesive cistern to pan seal and stick the seal in the correct position on the cistern.
- Put the threaded inserts into holes of toilet pan, and fixed by hex nuts (supplied) (Diagram 3).
- Secure the cistern to toilet pan by screwing the cistern fixing bolts and washers to the threaded insert. Screw down firmly and evenly to compress the rubber sealing ring.
- Always flush the water supply pipe before connecting the cistern inlet valve to the cistern tap.
- Attach the inlet valve flexi hose to the water supply/cistern tap. See Diagram 4 for the suggested way of connection.
- Fill the cistern with water and check the water level, adjust the inlet valve float, if necessary.
- Attach the cistern lid and buttons, test flush several times while checking for leaks, if any.
- Waterproof sealant finishing may be used around the base of toilet pan.
- Fit seat and cover.



Diagram 4

CODE PURE BTW STANDARD HEIGHT TOILET SUITE (GLOSS WHITE)

Installation Instructions

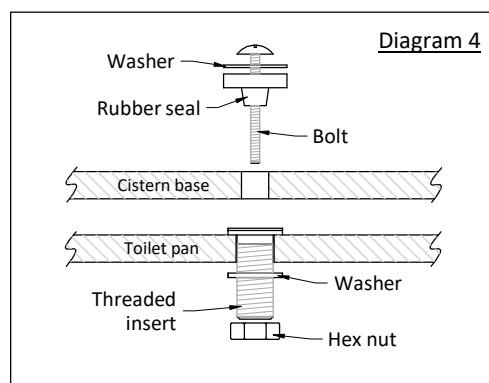
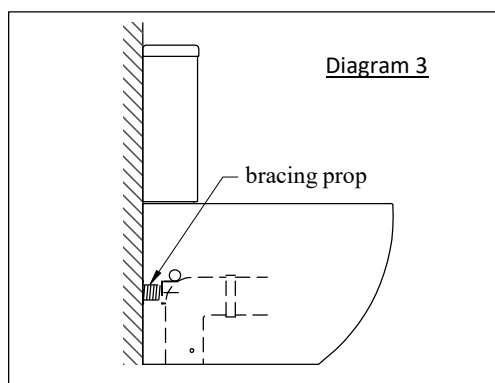
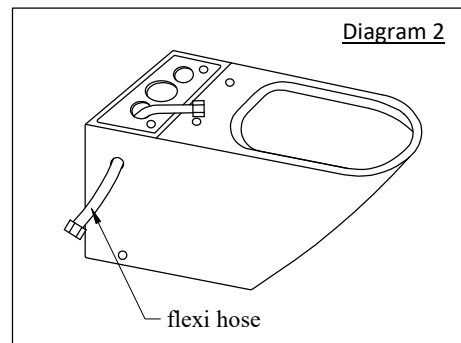
CODE
PREMIUM BATHROOMWARE

top & bottom inlet

INSTALLATION (cont'd....)

For Bottom Water Entry Installation

- Use either the left or right side access hole of toilet pan, put a flexi hose through the hole and let the flexi hose sit on the cistern support platform to allow for the connection of inlet valve later (Diagram 2).
- Place white cover cap on opposite side.
- For P-trap installation
A pan connector (not supplied) and extension (not supplied) will be required. Place the pan into position ensuring it seals firmly to the pan connector.
- For S-trap installation
Adjust the bracing prop and pan convertor to correct length which to suit the set out. Install the convertor and screw the bracing prop to the back wall. Align and push the toilet pan back to the wall. Check the outlet connection fits with the pan and is fully back against the wall (Diagram 3).
- Insert floor bracket screws through the fixing holes and hold the pan in position.
- Attach decorative caps.



- Peel off paper from self adhesive cistern to pan seal and stick the seal in the correct position on the cistern.
- Put the threaded inserts into holes of toilet pan, and fixed by hex nuts (supplied) (Diagram 4).
- Secure the cistern to toilet pan by screwing the cistern fixing bolts and washers to the threaded insert. Screw down firmly and evenly to compress the rubber sealing ring.
- Always flush the water supply pipe before connecting the cistern inlet valve to the cistern tap.

For Rear Water Entry Installation

- Attach the inlet valve flexi hose to the water supply/cistern tap. See Diagram 5 for the suggested way of connection.
- Fill the cistern with water and check the water level, adjust the inlet valve float, if necessary.
- Attach the cistern lid and buttons, test flush several times while checking for leaks, if any.
- Waterproof sealant finishing may be used around the base of toilet pan.
- Fit seat and cover.

