

The below products have been shared with you through the Caroma website.

Visit www.caroma.co.nz to find more inspirational and innovative bathroom products.

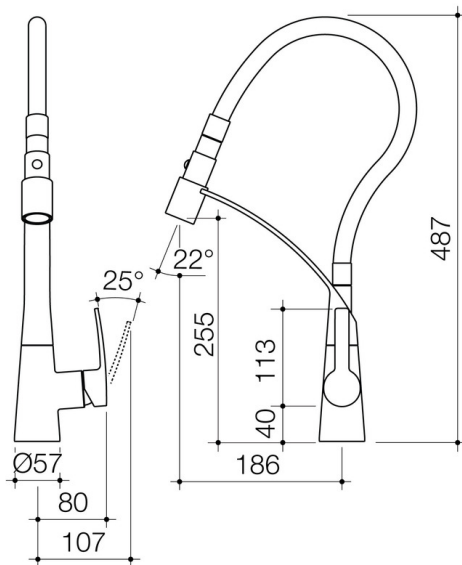


Inca's striking, provocative looks are destined to spark discussion in the kitchen. But its appearance is just the start. Clever, convenient in-built features include swivel joint, anti-coil hose ensuring easy rotation and soft, rinse spray for enhanced food preparation.

- 35mm adjustable cartridge for added temperature and flow control
- European Ultraflex PEX hoses provide superior durability, ultimate flexibility and are free from impurities
- Slide button dual spray function, Soft rinse spray perfect for food preparation and standard stream
- Swivel joint anti-coil hose for easy rotation
- Easy dock nozzle holster

PRODUCT CODES

6404.044A	Inca Sink Mixer	\$759.00*
-----------	-----------------	-----------



© COPYRIGHT 2014 - CAROMA INDUSTRIES LIMITED



*All price are recommended retail inclusive of GST in NZD. To be used as a guide only, prices may vary between model variations, and are subject to change without notice. A number of brands and products on this page are the subject of registered trade marks, register designs and/or registered patents. View full disclaimer on www.caroma.co.nz