

ModSpec Accessible Back To Wall Suite



WDMS710WH

ModSpec Accessible Back To Wall Suite Gloss White

ModSpec accessible back to wall suite

850(H) x 710(D) x 370(W)mm, Pan height 445mm + seat

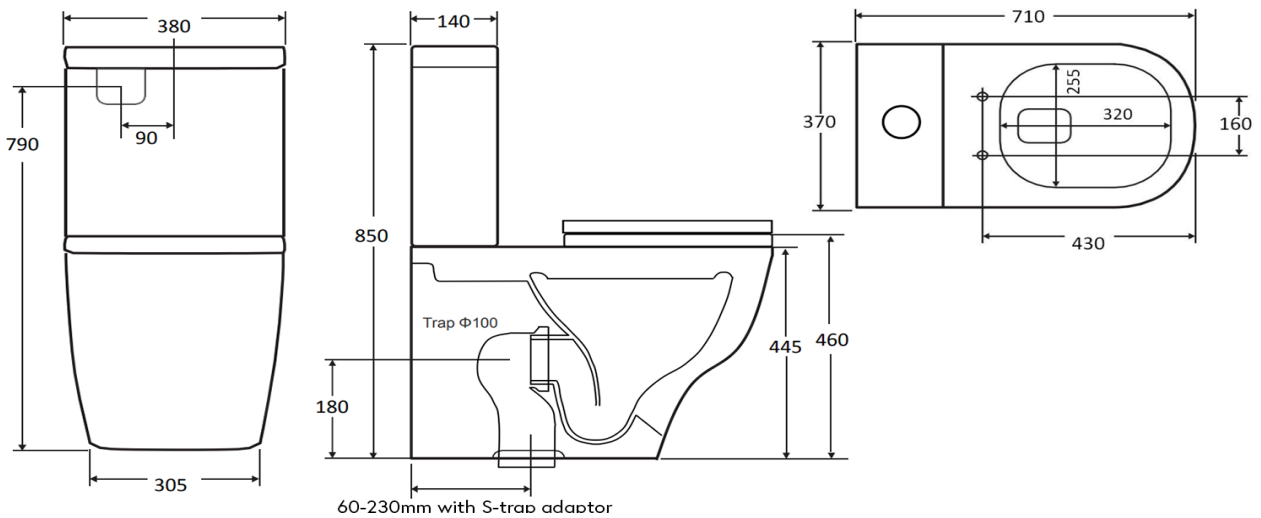
Soft close seat with a quick release stainless steel hinge

Chrome flush button

Rimless flushing design increases the flush velocity and clearing capability

Steep sided unobstructed bowl

P trap with an adjustable S trap waste adaptor



CARE AND USE

Toilets

Vitreous china finishes are best cleaned with cream or mild abrasive toilet specific cleaners. Do not use harsh abrasives on the toilet seat surfaces.

LIMITED PRODUCT WARRANTIES

To be read in conjunction with and subject to all terms and conditions contained in the Waterware 'Producer Statement' available on-line (<http://www.waterware.co.nz/media-downloads>) From date of purchase, Waterware Services warrants products from the following categories to be free from manufacturing defect subject to exclusions (if applicable):

Category	Domestic Installations	Commercial Installations	Exclusions	Wells
Toilets and cisterns	5 years parts and labour, 6 - 10 years parts only	1 year parts and labour	Flush Valve seals	4 Star 3/4.5L litre flush