



# CAROMA

## URBANE II ACCESSORIES

### INSTALLATION INSTRUCTIONS

#### IMPORTANT INFORMATION:

- Wall anchor (1) is only suitable for use in cavity walls with a tiled surface. If installing into a plasterboard cavity wall (untiled) it is recommended that the accessory be attached to the wall in line with a stud or noggin using suitable screws.
- For wall cavity wall applications, the total wall thickness must be 16-19mm when using the supplied wall anchor.
- Before drilling check position of towel rails and metal shelf to ensure the mounting blocks (2) are horizontal.
- To prevent drill from wandering on tiled surface it is recommended that masking tape be applied before drilling.
- Distance between centres of mounting blocks (2) with holes:
  - For 825mm Single Towel Rail: 800 ± 1mm
  - For 825mm Double Towel Rail: 800 ± 1mm
  - For 625mm Single Towel Rail: 600 ± 1mm
  - For 625mm Double Towel Rail: 600 ± 1mm
  - For Bathroom Shelf: 450 ± 1mm
  - For Hand Towel Rail: 250 ± 1mm
- Do not use accessories for personal support.
- Over time, the mounting screws used to install the product may be affected by exposure to water, which may cause the screws to rust and loosen. You should periodically check that your accessory is fastened securely to the wall.

#### INSTALLATION

##### A) DETERMINE WALL TYPE:

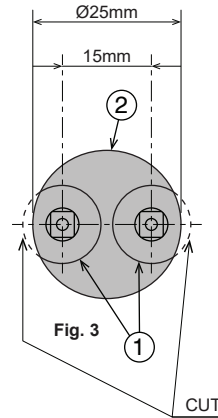
**Solid Walls:** (Brick, masonry blocks, concrete etc.)

- Drill holes 9mm diameter, 50mm deep for each mounting block.
- Fold the wings of the wall anchor/s (1) inwards, as shown in (Fig. 2).
- Insert the folded wall anchor/s (1) into each drilled hole and tap until the head is flush with the wall surface.
- Place the mounting block/s (2) against the wall, then pass the screws (3) through holes of the mounting block/s (2) and assemble into the wall anchors (1).
- For Towel Rails and Bathroom Shelf: check alignment of both mounting blocks (2) before tightening screws (3).

**Tiled Cavity Walls:** Plasterboard/tile, fibre cement sheet, tile).

**Note:** Total wall thickness must be between 16-19mm when using the supplied cavity wall anchor.

- Drill holes 9mm diameter for each mounting block.
- Fold the wings of the wall anchors (1) inwards, as shown in (Fig. 2).
- Insert the folded wall anchor (1) into each drilled hole and tap until the head is flush with the wall surface.
- Insert a small allen or nail into the hole of the anchor (1) to spread the wings of the anchor behind the wall (Fig.1).



**Please Note:** Mounting block (2) with one screw hole used for 825/625mm Single Towel Rail, 825/625mm Double Towel Rail, Bathroom Shelf and Hand Towel Rail only.

Mounting block (2) with two screw holes used for Toilet Roll Holder and Robe Hook only.

For Toilet Roll Holder and Robe Hook only, wall anchors (1) require to be trimmed at the outer edges to be concealed by the mounting blocks (2), as shown in Fig. 3.

Use a small allen key or nail to spread wings of anchor behind wall (Cavity walls only)

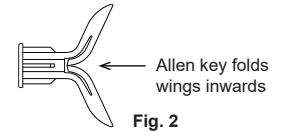
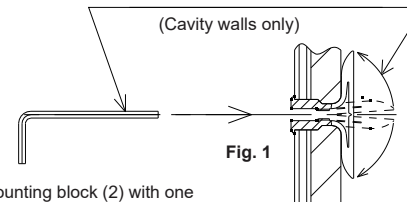
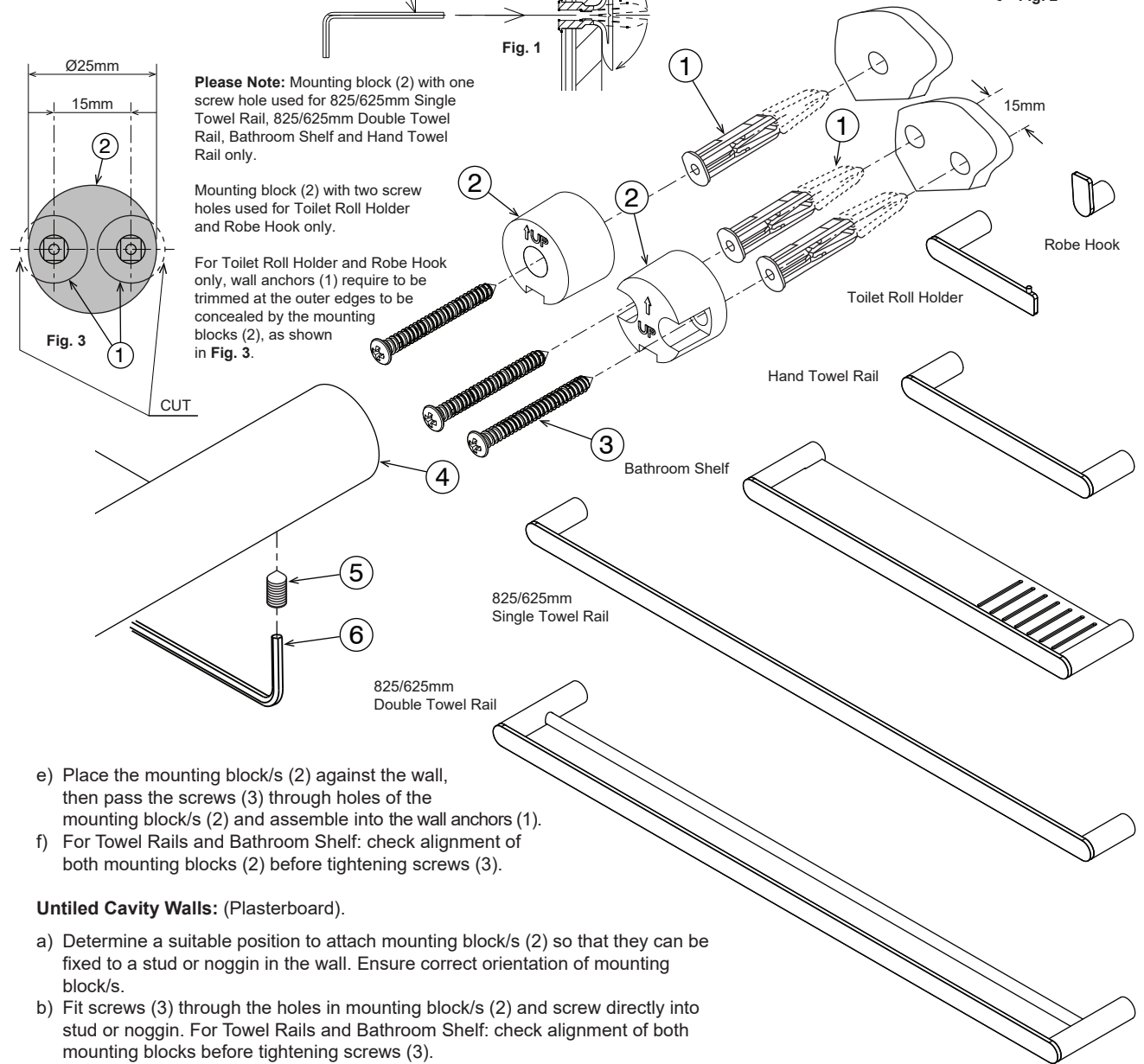


Fig. 2



- Place the mounting block/s (2) against the wall, then pass the screws (3) through holes of the mounting block/s (2) and assemble into the wall anchors (1).
- For Towel Rails and Bathroom Shelf: check alignment of both mounting blocks (2) before tightening screws (3).

**Untiled Cavity Walls:** (Plasterboard).

- Determine a suitable position to attach mounting block/s (2) so that they can be fixed to a stud or noggin in the wall. Ensure correct orientation of mounting block/s.
- Fit screws (3) through the holes in mounting block/s (2) and screw directly into stud or noggin. For Towel Rails and Bathroom Shelf: check alignment of both mounting blocks before tightening screws (3).

- Loosen the fixing screw/s (5) on the accessory using Allen key (6) provided. Install accessory (4) onto mounting block/s (2), making sure that grub screw/s (5) are located underneath as shown. With accessory resting securely against wall surface, tighten the fixing screw/s (5) using Allen key provided (6).

Date of Issue: 30/06/2021

Revision: 2