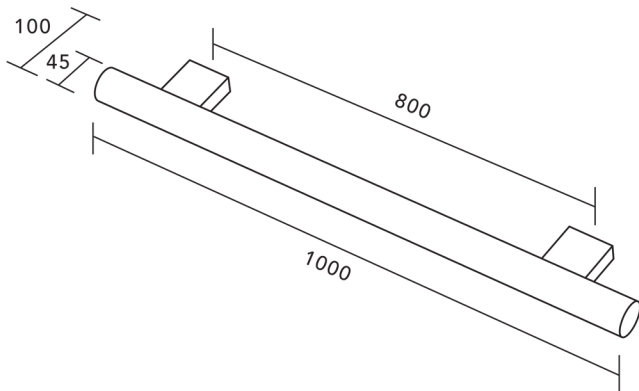


HEIKO POLE

CODE: WHSPLV1000/B/N/GM/BN/MW/BB/BC



MEASUREMENTS SUBJECT TO MANUFACTURING TOLERANCE



BATHROOMS WITH STYLE

HEIKO POLE 12V TOWEL WARMER

The Advanced Art of Towel Warming



WARNING: WARNING: This appliance is intended only for drying textiles washed in water.

WARNING: In order to avoid a hazard for very young children, this appliance should be installed so that the lowest heated rail is at least 600 mm above the floor.

IMPORTANT: A means of disconnection in the fixed wiring must be used, which is in accordance with national wiring rules (ie AS/NZS3000)

Operation

Your HEIKO POLE Towel Warmer uses only minimal electrical power – about the same as one or two LED lamps. It will take approximately 20-30 minutes to reach maximum operating temperature. HEIKO POLE Towel warmers are designed for continuous operation. NOTE: The temperature of your towel warmer will vary with the ambient temperature of your room. A towel warmer is designed to warm and assist the drying of towels and will normally operate at a temperature that is too hot for the warmer to be grasped for an extended time.

Locating Instructions

Installation instructions are shown in Fig 1 and 2. The HEIKO POLE Towel Warmer must be fixed through the wall cladding directly to studs or other suitable anchor material. The towel warmer must be located in compliance with the AS/NZS 60335 Standard. HEIKO POLE 12V towel warmers have an IP47 rating offering you the greatest flexibility to safely locate the towel warmer in bathrooms or shower rooms in **Zone 1-3**. All other electrical fittings must also be compliant with the zone within which the warmer is being installed.

Electrical Installation

Ensure that your towel warmer is installed by a registered electrician and that the electrical supply, switch location and product location will comply with regulations.

New Zealand electrical wiring requirements stipulate that this appliance must be wired by a registered electrician in accordance with current electrical wiring regulations.

This product must be used in conjunction with a hard wired switch (for the transformer). For complete temperature control a wall mounted dimmer switch (with “off” position) is recommended (in series with the transformer).

Concealed Wiring

If you have access to the wall cavity this model allows you to conceal the electrical flex for a more streamlined and visually appealing installation. (see Fig 2 below)

Care and Cleaning

The polished stainless steel finish of your Towel Warmer is hard wearing and easily maintained. Clean regularly with a soft cloth and non-abrasive cleaning agent. Black, Matt White and Gunmetal finishes are more sensitive to scratching and care is required when cleaning.

Warranty

This product is warranted against defects due to faulty workmanship or materials for 10 years from date of purchase (five years for Black, Matt White and Gunmetal finish). In the event of a defect in the product, turn it off at the wall, and contact the retailer from which it was purchased and provide details from your sales receipt and the product’s serial number from the label on the towel warmer. The retailer will contact Heirloom who will assess the matter and if accepted as a valid warranty claim the product will be repaired or replaced at Heirloom’s option – free of charge. Costs of disconnection, reconnection, and freight are the responsibility of the owner, as is any damage arising in transit to and from servicing by Heirloom. This warranty does not cover:

- a. Any damage to the product caused by misuse, neglect, accident, or in violation of the manufacturer’s instructions, or
- b. Any damage, loss or injury arising as a consequence of the use of the product.

Australia: Our goods come with guarantees that cannot be excluded under the Australian Consumer Law. You are entitled to a replacement or refund for a major failure and compensation for any other reasonably foreseeable loss or damage. You are

also entitled to have the goods repaired or replaced if the goods fail to be of acceptable quality and the failure does not amount to a major failure.



INSTALLATION OF HEIKO POLE TOWEL WARMER

SPECIFICATIONS	Mounting Centre (Approx Width)	Rating at 240 Volts AC	Voltage	IP Rating
WHSPLV1000 Polished stainless steel	800 mm	20 watts	12V AC	IP47
WHSPLV1000N Black	800 mm	24 watts	12V AC	IP47
WHSPLV1000GM Gunmetal	800 mm	24 watts	12V AC	IP47
WHSPLV1000B Brushed stainless steel	800 mm	20 watts	12V AC	IP47
WHSPLV1000BN Brushed Nickel	800 mm	20 watts	12V AC	IP47
WHSPLV1000BB Brushed Brass	800 mm	20 watts	12V AC	IP47
WHSPLV1000MW Matt White	800 mm	27 watts	12V AC	IP47
WHSPLVR1000 Polished stainless steel with robe hook	800 mm	20 watts	12V AC	IP47

This Package Contains:

- 1 Towel Warmer
- 2 x Mounting blocks(legs) and one wall bracket and one mounting block.
- 4 x Mounting Screws to fix wall bracket to wall

CAUTION: Prior to installation please ensure the product is to your satisfaction. Once installed Heirloom cannot be responsible for defects in the product finish. This product is not intended for use by young children or infirmed persons without supervision. In order to avoid a hazard for very young children, this towel warmer should be installed at least 600mm from the floor. Young children should be supervised to ensure they do not play with the product. If the supply cord is damaged it must be replaced by the manufacturer, its service agent, or similarly qualified persons in order to avoid a hazard.

Installation:

The HEIKO POLE Vertical is intended for installation in a vertical orientation, though horizontal installation is also acceptable.

This towel warmer must be installed by a registered electrician and in accordance with local and national electrical codes. We recommend that the towel warmer be installed vertically on a flat and uniform wall, and where possible into studs or other suitable anchor material. If fixing to hollow cavity walls, toggle anchors (not those supplied) or similar devices must be used.

Position the towel warmer so that the transformer is easily accessible. Cable entry to the towel warmer can be top or bottom (or left or right). Avoid the supply cable coming into contact with the heated parts of the towel warmer where installation is with exposed flex. .

DO NOT APPLY POWER TO THE UNIT, OR SWITCH THE TOWEL WARMER ON BEFORE INSTALLATION IS COMPLETE.

EXPOSED FLEX INSTALLATION: (Fig 1)

- 1 Identify suitable mounting points, preferably into timber framing. Where this is not possible, use toggles (not supplied) . Mounting centres are 800mm vertically (can be installed horizontally). Screw flex bracket and mounting block to the wall.
- 2 Thread the "Flex Leg" (with plastic grommet) on to the electric flex (ensuring that the leg is facing in the correct direction). Fix the leg to the towel warmer with the two screws provided.
- 3 Ensure the flex exits the leg through the slot with the plastic grommet. Place the towel warmer on to the two mounting blocks and tighten grub screws
- 4 Connect flex to switch at flush box (termination pack supplied may be used)

CONCEALED FLEX INSTALLATION (Fig 2)

As above, except that the flex will pass through the hole in the wall bracket.

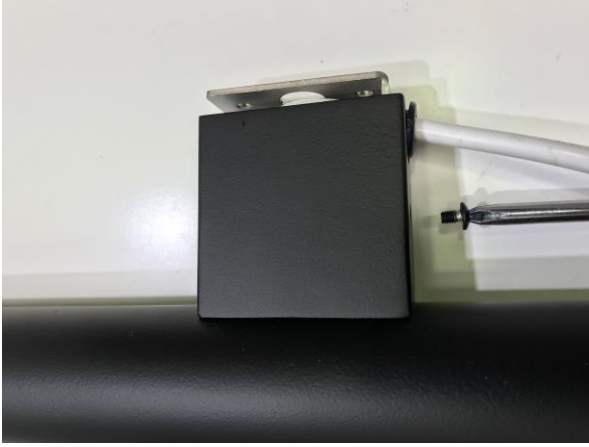


Fig 1 Exposed wiring

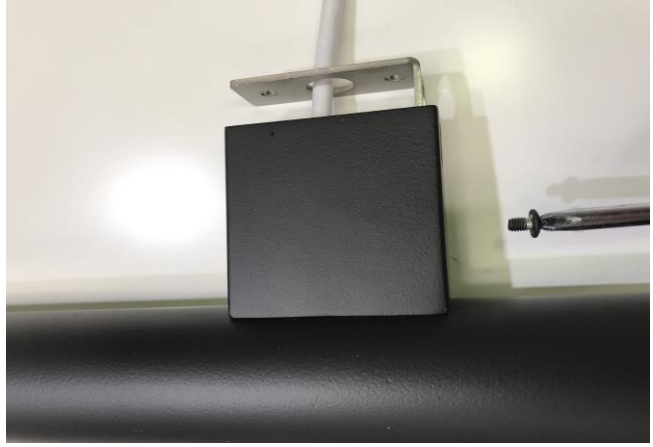


Fig 2 Concealed wiring