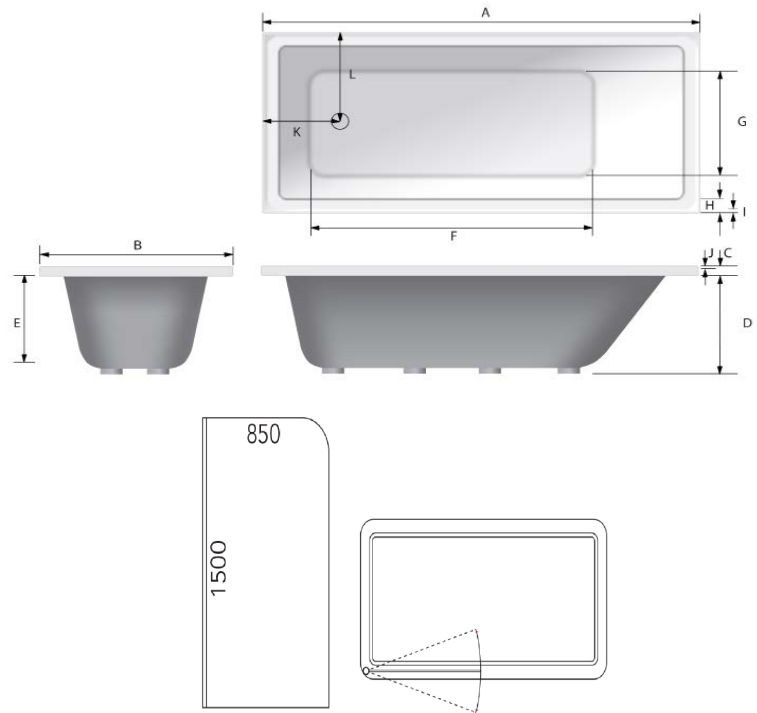


# Elite Single Swing Bath Set



Pictured - Elite 1675mm Single Swing Bath Set  
SKU - TBA



Swing panel swings in and out of bath providing wide, easy access to bath and tapware.

## DESCRIPTION

The Elite bath set is design as the complete answer for a shower over bath installtion. The wall liner provides a large waterproof area of protection, and the bath is solid and offers a large showering area.

The Elite bath set is a complete pack which includes - the bath, bath screen, and a 2 sided wall liner.

All of these items can be purchased as individual items also

There is also an optional bath skirt which is installed around the bath - this is sold as an individual item and IS NOT supplied in the standard bath set package.

## FEATURES

- Bath surface is 100% solid acrylic
- 850mm water protection single panel bathscreen
- One piece wall liner
- 15mm pressed upstand around perimeter of bath
- Generous showering / bathing area
- Bath stands on support rings

Dimension	Description	Bath Size		
		1525mm	1675mm	1800mm
A	Bath Length	1525mm	1675mm	1800mm
B	Bath Width	760mm	760mm	760mm
C	Lip Height	40mm	40mm	40mm
D	External Depth (less lip, incl feet) +/- 3mm	430mm	430mm	430mm
E	Internal Depth (less lip)	420mm	420mm	420mm
F	Internal Length of Floor	1025mm	1180mm	1300mm
G	Internal Width of Floor	440mm	440mm	440mm
H	Rim Width	80mm	80mm	80mm
I	Upstand thickness +/- 2mm	7mm	7mm	7mm
J	Upstand Height	15mm	15mm	15mm
K	Waste Depth to edge of Bath	290mm	290mm	290mm
L	Waste Width to edge of Bath	380mm	380mm	380mm

## ORDERING CODES

Product Description	SKU CODE		
	1525mm	1675mm	1800mm
Complete Set (incl Bath/FLAT Wall Liner/Single Swing Panel) White	TBA	TBA	TBA
Complete Set (incl Bath/FLAT Wall Liner/Single Swing Panel) Silva	TBA	TBA	TBA
Complete Set (incl Bath/MOULDED Wall Liner/Single Swing Panel) White	TBA	TBA	TBA
Complete Set (incl Bath/MOULDED Wall Liner/Single Swing Panel) Silva	TBA	TBA	TBA
Single Swing Bath Panel Only 1500mm x 850mm White	TBA	TBA	TBA
Single Swing Bath Panel Only 1500mm x 850mm Silva	TBA	TBA	TBA
Bath Only White	TBA	TBA	TBA
Wall Liner 1550mm high White 2 sided Flat	TBA	TBA	TBA
Wall Liner 1550mm high White 2 sided Moulded	TBA	TBA	TBA
Add a third side to Liner White	TBA	TBA	TBA
Bath Skirt Only White (760mm wide x 415mm) high 2 sided	TBA	TBA	TBA
Bath Skirt Only White (760mm wide x 415mm) high 1 sided	TBA	TBA	TBA

## WARRANTY INFORMATION

All bathroom ware products supplied by Nouera Shower systems carry our Quality Assurance and Product Warranty. We use the highest quality materials available and manufacture these in accordance with New Zealand specifications and requirements to ensure that all products are fit for the intended purpose for which they are designed. Our customers Peace of Mind is of paramount importance to us.

### Warranty Periods

Baths	10 years
Showers	10 years
Shower Screens and Doors	10 years

### Warranty Exclusions

The product must be installed according to the instructions supplied.  
The water supply temperature applied to the product must not exceed 55 degrees Celsius.  
Commercial Applications are restricted to a 2 year warranty on all products."

## PRODUCT MAINTENANCE

Bathroom products are used often and the following is our suggestion on how to clean and care for them.

### Shower Wall

We use Durosan premium quality sanitaryware grade Acrylic. It is, by design very robust and chemical resistant. A soft damp cloth with non abrasive cleaners should be used. Use only non abrasive cleaners that are recommended for Acrylic products.

### Shower Tray and Bath

We manufacture our Shower Trays and Baths using a Solid Acrylic Surface. Most other shower trays are manufactured using a veneer Acrylic surface. The great advantage is that small scratches can be removed easily by using fine cutting compound. Again the same basic cleaning methods as the wall are recommended.

### Shower Doors and Glass

All glass is compliant to AS/NZS 2208. We suggest that the glass surfaces are wiped down or Squeegeed following use to remove excess water. For best results use a trusted glass cleaner.

### Metal framework

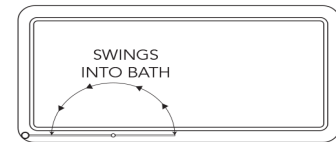
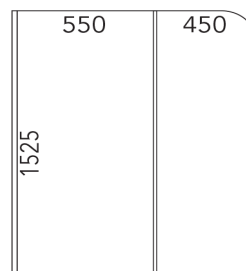
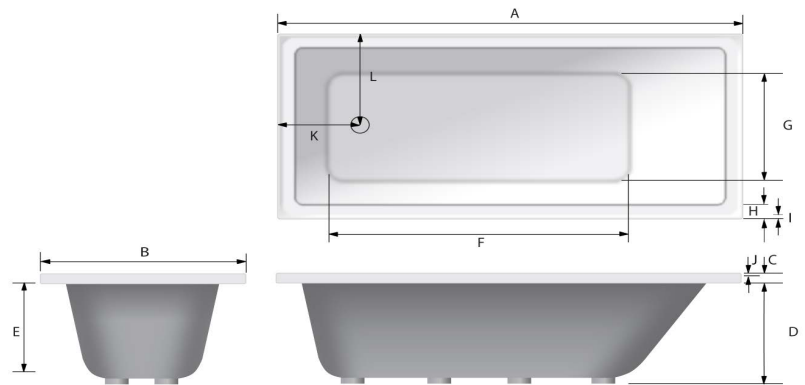
Should be cleaned using a soft damp cloth with non abrasive cleaner. Note that on round Showers, the bottom rollers are easy release for ease of cleaning. If chemical spray cleaners are used, avoid direct contact with the rollers and guides and ensure the shower is rinsed off to avoid residue build up.

### Weather seals and drip strips

Can be removed if required for cleaning, and can be replaced when they no longer look their best Refer to our spare parts and accessories section of this website for more details.

**Note - If the Glass has been treated follow specific cleaning instructions from the system provider.**

# ELITE 2 Panel Bath Set



Pictured - Elite 1675mm 2 Panel Moulded Wall Bath Set  
LH White SKU - TBA

Swing panel swings into bath, providing wide and easy access to bath and tapware.

## DESCRIPTION

The Elite bath set is design as the complete answer to a shower over bath installation. The wall liner provides a large waterproof area of protection, and the bath is solid and offers a large showering area.

The Elite bath set is a complete pack which includes - the bath, bath screen, and a 2 sided wall liner.

All of these items can be purchased as individual items also

There is also an optional bath skirt which is installed around the bath - this is sold as an individual item and IS NOT supplied in the standard bath set package.

## FEATURES

- Bath surface is 100% solid acrylic
- 850mm water protection single panel bathscreen
- One piece wall liner
- 15mm pressed upstand around perimeter of bath
- Generous showering / bathing area
- Bath stands on support rings

Dimension	Description	Bath Size		
		1525mm	1675mm	1800mm
A	Bath Length	1525mm	1675mm	1800mm
B	Bath Width	760mm	760mm	760mm
C	Lip Height	40mm	40mm	40mm
D	External Depth (less lip, incl feet) +/- 3mm	430mm	430mm	430mm
E	Internal Depth (less lip)	420mm	420mm	420mm
F	Internal Length of Floor	1025mm	1180mm	1300mm
G	Internal Width of Floor	440mm	440mm	440mm
H	Rim Width	80mm	80mm	80mm
I	Upstand thickness +/- 2mm	7mm	7mm	7mm
J	Upstand Height	15mm	15mm	15mm
K	Waste Depth to edge of Bath	290mm	290mm	290mm
L	Waste Width to edge of Bath	380mm	380mm	380mm

## ORDERING CODES

Product Description	SKU CODE		
	1525mm	1675mm	1800mm
Complete Set (incl Bath/FLAT Wall Liner/2 Panel Screen) White LH	TBA	TBA	TBA
Complete Set (incl Bath/FLAT Wall Liner/2 Panel Screen) Silva LH	TBA	TBA	TBA
Complete Set (incl Bath/FLAT Wall Liner/2 Panel Screen) White RH	TBA	TBA	TBA
Complete Set (incl Bath/FLAT Wall Liner/2 Panel Screen) Silva RH	TBA	TBA	TBA
Complete Set (incl Bath/MOULDED Wall Liner/2 Panel Screen) White LH	TBA	TBA	TBA
Complete Set (incl Bath/MOULDED Wall Liner/2 Panel Screen) Silva LH	TBA	TBA	TBA
Complete Set (incl Bath/MOULDED Wall Liner/2 Panel Screen) White RH	TBA	TBA	TBA
Complete Set (incl Bath/MOULDED Wall Liner/2 Panel Screen) Silva RH	TBA	TBA	TBA
2 Panel Bath Screen Only 1500mm x 850mm White LH	TBA	TBA	TBA
2 Panel Bath Screen Only 1500mm x 850mm Silva LH	TBA	TBA	TBA
2 Panel Bath Screen Only 1500mm x 850mm White RH	TBA	TA	TBA
2 Panel Bath Screen Only 1500mm x 850mm Silva RH	TBA	TBA	TBA
Bath Only White	TBA	TBA	TBA
Wall Liner 1550mm high White 2 sided Flat	TBA	TBA	TBA
Wall Liner 1550mm high White 2 sided Moulded	TBA	TBA	TBA
Add a third side to Liner White	TBA	TBA	TBA
Bath Skirt Only White (760mm wide x 415mm) high 2 sided	TBA	TBA	TBA
Bath Skirt Only White (760mm wide x 415mm) high 1 sided	TBA	TBA	TBA

## WARRANTY INFORMATION

All bathroom ware products supplied by Nouera Shower systems carry our Quality Assurance and Product Warranty. We use the highest quality materials available and manufacture these in accordance with New Zealand specifications and requirements to ensure that all products are fit for the intended purpose for which they are designed. Our customers Peace of Mind is of paramount importance to us.

### Warranty Periods

Baths	10 years
Showers	10 years
Shower Screens and Doors	10 years

### Warranty Exclusions

The product must be installed according to the instructions supplied.  
The water supply temperature applied to the product must not exceed 55 degrees Celsius.  
Commercial Applications are restricted to a 2 year warranty on all products."

## PRODUCT MAINTENANCE

Bathroom products are used often and the following is our suggestion on how to clean and care for them.

### Shower Wall

We use Durosan premium quality sanitaryware grade Acrylic. It is, by design very robust and chemical resistant. A soft damp cloth with non abrasive cleaners should be used. Use only non abrasive cleaners that are recommended for Acrylic products.

### Shower Tray and Bath

We manufacture our Shower Trays and Baths using a Solid Acrylic Surface. Most other shower trays are manufactured using a veneer Acrylic surface. The great advantage is that small scratches can be removed easily by using fine cutting compound. Again the same basic cleaning methods as the wall are recommended.

### Shower Doors and Glass

All glass is compliant to AS/NZS 2208. We suggest that the glass surfaces are wiped down or Squeegeed following use to remove excess water. For best results use a trusted glass cleaner.

### Metal framework

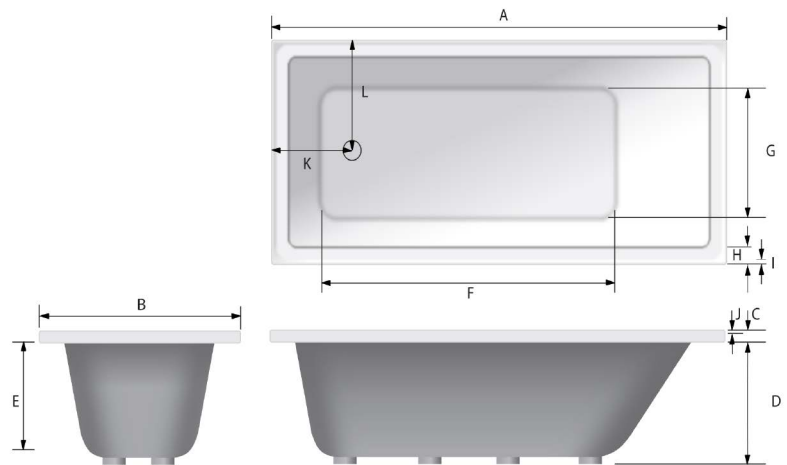
Should be cleaned using a soft damp cloth with non abrasive cleaner. Note that on round Showers, the bottom rollers are easy release for ease of cleaning. If chemical spray cleaners are used, avoid direct contact with the rollers and guides and ensure the shower is rinsed off to avoid residue build up.

### Weather seals and drip strips

Can be removed if required for cleaning, and can be replaced when they no longer look their best Refer to our spare parts and accessories section of this website for more details.

**Note - If the Glass has been treated follow specific cleaning instructions from the system provider.**

# Elite Bath



Pictured - Elite 1675mm Bath

SKU - TBA

## DESCRIPTION

The Elite Bath can be purchased as a bath only in 3 size variations.

This bath can also be purchased as a Shower / Bath Package.

The bath is designed with a 15mm Upstand around its complete perimeter to aid waterproofing between the bath and the Wall Lining.

The Upstand is tightly pressed to make liner fitting easy, and also provide a square edge to bring waterproofing tapes and tiles down to.

The Elite Bath features solid mounted support feet which must be attached to the floor or to solid packers to support the base of the bath.

## FEATURES

- Bath surface is 100% Solid acrylic
- 15mm Pressed Upstand around perimeter of Bath
- Generous Bathing / Showering Area
- Fibreglass reinforced
- Bath Stands on Support Rings

Dimension	Description	Bath Size		
		1525mm	1675mm	1800mm
A	Bath Length	1525mm	1675mm	1800mm
B	Bath Width	760mm	760mm	760mm
C	Lip Height	40mm	40mm	40mm
D	External Depth (less lip, incl feet) +/- 3mm	430mm	430mm	430mm
E	Internal Depth (less lip)	420mm	420mm	420mm
F	Internal Length of Floor	1025mm	1180mm	1300mm
G	Internal Width of Floor	440mm	440mm	440mm
H	Rim Width	80mm	80mm	80mm
I	Upstand thickness +/- 2mm	7mm	7mm	7mm
J	Upstand Height	15mm	15mm	15mm
K	Waste Depth to edge of Bath	290mm	290mm	290mm
L	Waste Width to edge of Bath	380mm	380mm	380mm

## ORDERING CODES

Description	SKU
1525mm x 760mm x 470mm Cubit Bath Only White	TBA
1675mm x 760mm x 470mm Cubit Bath Only White	TBA
1800mm x 760mm x 470mm Cubit Bath Only White	TBA

## WARRANTY INFORMATION

All bathroom ware products supplied by Nouera Shower systems carry our Quality Assurance and Product Warranty. We use the highest quality materials available and manufacture these in accordance with New Zealand specifications and requirements to ensure that all products are fit for the intended purpose for which they are designed. Our customers Peace of Mind is of paramount importance to us.

### Warranty Periods

Baths	10 years
Showers	10 years
Shower Screens and Doors	10 years

### Warranty Exclusions

The product must be installed according to the instructions supplied.  
The water supply temperature applied to the product must not exceed 55 degrees Celsius.  
Commercial Applications are restricted to a 2 year warranty on all products."

## PRODUCT MAINTENANCE

Bathroom products are used often and the following is our suggestion on how to clean and care for them.

### Shower Wall

We use Durosan premium quality sanitaryware grade Acrylic. It is, by design very robust and chemical resistant. A soft damp cloth with non abrasive cleaners should be used. Use only non abrasive cleaners that are recommended for Acrylic products.

### Shower Tray and Bath

We manufacture our Shower Trays and Baths using a Solid Acrylic Surface. Most other shower trays are manufactured using a veneer Acrylic surface. The great advantage is that small scratches can be removed easily by using fine cutting compound. Again the same basic cleaning methods as the wall are recommended.

### Shower Doors and Glass

All glass is compliant to AS/NZS 2208. We suggest that the glass surfaces are wiped down or Squeegeed following use to remove excess water. For best results use a trusted glass cleaner.

### Metal framework

Should be cleaned using a soft damp cloth with non abrasive cleaner. Note that on round Showers, the bottom rollers are easy release for ease of cleaning. If chemical spray cleaners are used, avoid direct contact with the rollers and guides and ensure the shower is rinsed off to avoid residue build up.

### Weather seals and drip strips

Can be removed if required for cleaning, and can be replaced when they no longer look their best Refer to our spare parts and accessories section of this website for more details.

**Note - If the Glass has been treated follow specific cleaning instructions from the system provider.**