

Technical Data Sheet

WEISS™

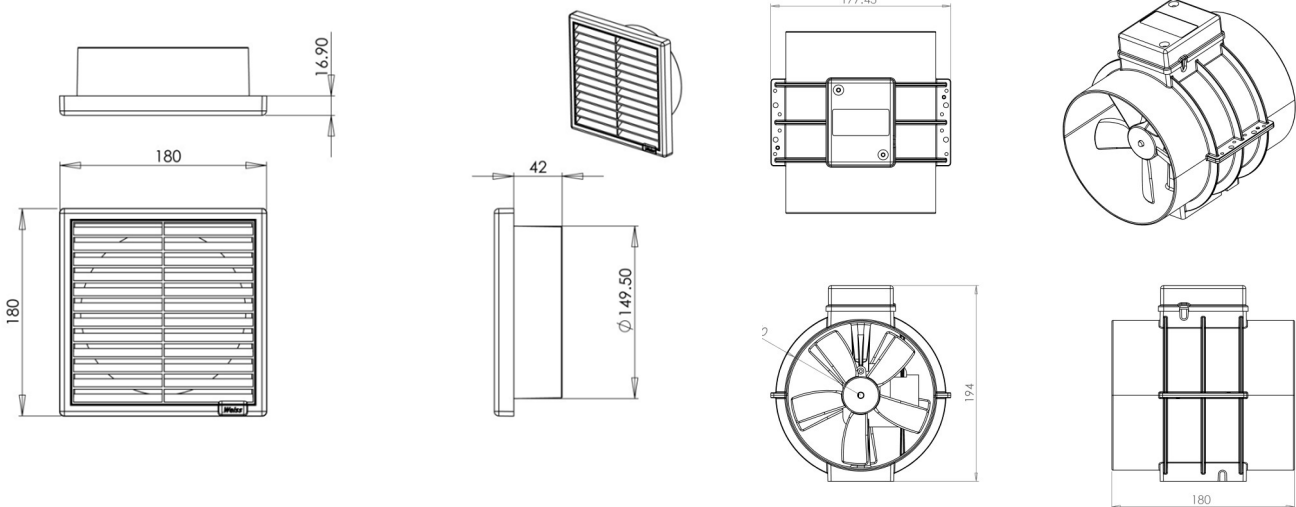
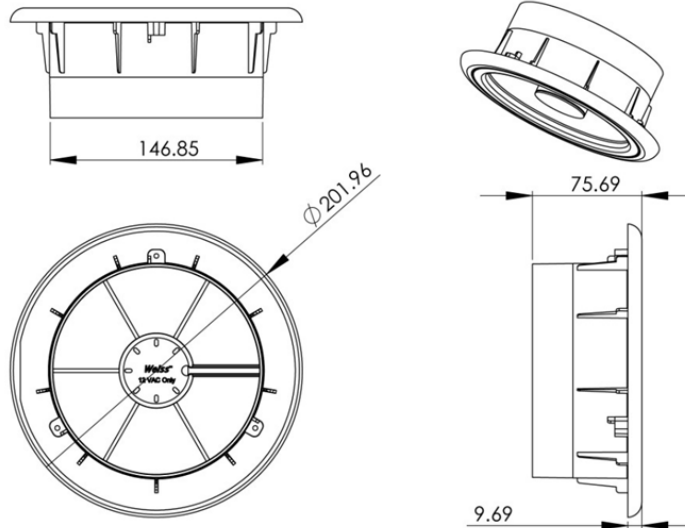
FV160LED

Clearflow Inline with 12V LED

150mm ducting

Dimensions

Cut-out size for inlet fascia	170mm
Cut out size for outlet fascia	158mm



Specifications

Weight	3kg
Colour of front fascia	White
Housing material	FR Glass filled nylon

Approval

AS/NZS 603350.2.80:2004 Amdt 1
AS/NZS 60335.1.2011 incl Amdt.1

Features

- Easy to install even through 13mm Gib
- 6 metres of 150mm diameter ducting included
- 12Volt LED driver included.
- Safe for use over shower stall
- Allows moisture to be removed to the outside of your home
- All parts are included
- 3 year extended warranty

Technical Data Sheet

Product Use

The FV160LED is used for the extraction of mist and lighting
Safe for use in wet areas

Typical applications:

- Bathrooms
- Toilets
- Laundries

Environmental Conditions

Operation	to IEC 721-3-3
Climatic conditions	class 3K5
Temperature	0...+50°C
Humidity	<95% r.h.

Standards

Test standards	AS/NZS 603350.2.80: 2004 Amdts 1 and 1:2011 Amdt.1 5773
Test Report no EMC Compliance	This is a Level One product with an C frame motor that has a very low risk of causing EMC Interference

General

Free Air Fan Performance	405m ³ / hr 112.5L/sec
Installed decibel rating	45DB

Ordering

When ordering please give name and type,	
Reference	FV160LED
Barcode	942000490255-0

Technical Data

Power Supply	230 VAC
Power consumption	max. 3.33 Amps
Supply Line fusing	max. 10A
For solid wires	2 x 1.5mm ²
Motor	230-240VAC 50Hz 0,4Amp
Motor insulation class	B
Total motor wattage	40Watts
Motor protection	Thermally protected