

Cannon HORIZON HEAT™

Delivers a wide heat spectrum for consistent warmth, backed by the strength & rigidity of the wave element design.



USE, CARE AND INSTALLATION INSTRUCTIONS FOR YOUR NEW CANNON HORIZON HEATER Models: **CAST18R, CAST24R, CAST32R**

- The heater must be installed in accordance with the manufacturer's installation instructions.
- The heater **MUST ONLY** be installed or removed by an authorised person.
- The heater **MUST** be installed in accordance with AS/NZS 3000 (wiring rules) and all other applicable local & state building and OH & S requirements.





Thank you for purchasing a Cannon Horizon Heat outdoor strip heater.

Outdoor entertaining is increasingly popular and the Cannon Horizon™ strip heaters are the perfect solution to extend your outdoor living spaces beyond the summer period, for year-round comfort. The Horizon Heat™ range provides a number of options, depending on the area size and heating requirements with an 1800W, 2400W and 3200W models on offer. Backed by a 2 year warranty, the Cannon Horizon strip heater range provides perfect outdoor heating for all occasions.

Wide & even heat with Horizon Heat™

The Cannon Horizon strip heater range uses far infrared heating, which warms objects and people, rather than the air, for a more efficient and comfortable heating source. Its wave design allows a wide angled coverage for a broad heat distribution and offers extra strength and rigidity to the heater construction.

Easy to Install and Operate

Our Cannon Horizon range has been designed for easy installation into your outdoor living spaces. With the 1800W and 2400W being supplied with a 3 pin, 10amp plug for quick 'plug-n-play' operation and mounting brackets to direct the heat, easy installation and operation is assured. All Cannon Horizon heaters are supplied with a remote control, in addition to an on-product switch and a 3 heat setting display.

Efficient heating & low running costs

When compared to outdoor gas heating, electric strip heaters offer an efficient and low cost option for warming your outdoor living space.

Outdoor protection

The Cannon Horizon range of heaters have an IP65 rating. This rating ensures that electrics are protected from dust and water ingress and are ideal for outdoor undercover living and entertaining environments.

CAUTION

Young children must be supervised when in the vicinity of this heater, when in operation.

This appliance is not intended for use by persons (including children) with reduced physical, sensory or mental capabilities or lack of knowledge, unless they have been given supervision or instructions concerning the use of the appliance by a person responsible for their safety and have the capacity to follow these instructions.

Some parts of this product can become very hot and cause burns. Particular attention has to be given where children and vulnerable people are present.

This heater is not intended for use by young children or infirm people without supervision.

1. **DO NOT** use this heater with a programmer, timer or any other device that switches the heater ON automatically, since a fire risk exists if the heater is covered or positioned incorrectly.
2. **DO NOT** use this heater in the immediate surroundings of a bath, a shower or a swimming pool.
3. **DO NOT** place the unit close to curtains and/or other flammable objects.
4. **DO NOT** place articles on or against this appliance.
5. **DO NOT** wrap the power supply cord on the unit.
6. **DO NOT** use this unit in place where causticity or volatile air exists, i.e. dust, steam, gas, etc.
7. **DO NOT** use this unit as a cloth drier or towel drier.
8. **DO NOT** use this unit as a sauna heater.
9. **DO NOT** use this unit as a room heater.
10. **DO NOT** use this unit in an animal propagating area.
11. **DO NOT** use this unit in heating system of hot air centre.
12. **DO NOT** immerse this unit into water for cleaning.
13. The unit gets VERY HOT during operation. To avoid burns **DO NOT** touch any surface of the heater.
14. The heater will retain significant heat for a period after shutdown. To avoid burns **DO NOT** touch any part of the heater during this period.
15. The unit must be handled with care, avoid vibrating or hitting the unit.
16. The unit must be securely grounded during operation.
17. When damaged, the unit must be repaired by qualified service agent.
18. If the supply cord is damaged, it must be replaced by the manufacturer, its service agent or similarly qualified persons in order to avoid a hazard.

CAUTION

19. When assembling, keep clear from any board or flammable material.
20. The unit is for household use only. It is not suitable for use on a building site, greenhouses, barn or stable, where there's flammable dust.
21. The head of the unit is at high temperature during operation. Unplug the unit and wait till it's cool before cleaning.
22. The units (1800W & 2400W) should be plugged in a socket outlet, which is easily visible and reachable.
23. **DO NOT** store or use any flammable liquids in the vicinity of this unit.
24. **DO NOT** spray aerosols in the vicinity of this appliance whilst appliance is operating. Most aerosols are flammable, which can be a fire hazard if used near appliance when it is in use.
25. **DO NOT** modify this appliance. Any modification may create a hazardous situation and void your warranty.
26. **DO NOT** allow young children or the infirm to remain unsupervised or sleep directly in front of or below the appliance while in operation.

WARNING:

This heater is not equipped with a device to control the room temperature. Do not use this heater in small rooms when they are occupied by persons not capable of leaving the room on their own, unless constant supervision is provided.

IMPORTANT INFORMATION:

Models CAST18R and CAST24R are fitted with an Australian / New Zealand flexible 1.8M cord and 3 pin plug. A dedicated 240V 50Hz earthed 10AMP socket outlet must be used with this appliance.

Model CAST32R are fitted with an Australian flexible 1.8M cord and can be hardwired, or it can be fitted with a 3 pin, 15amp plug into a 15amp socket outlet. This **MUST** only be performed by an authorised person. In accordance with local regulations.

DO NOT Coil or bundle the electric cord to reduce its length as overheating may result which could become a fire hazard.

The electrical cord **MUST NOT** come into contact with the heated parts of this appliance.

DO NOT use this appliance as a portable heater. Use of an extension cord on this appliance is not recommended.

PREPARATION

Preparation:

1. Unpack the carton. Take out the accessories pack from the carton. Make sure the accessories listed in the below Accessories Check List are included. If anything is missing, ask your retailer to provide it to you, or contact the Cannon distributor.
2. Ensure you have a philips - head screw driver and a spanner (not supplied) suitable for M6 screw nut.
3. Read this instruction manual carefully before installation and use. Keep this instruction manual in a safe place.

Cleaning:

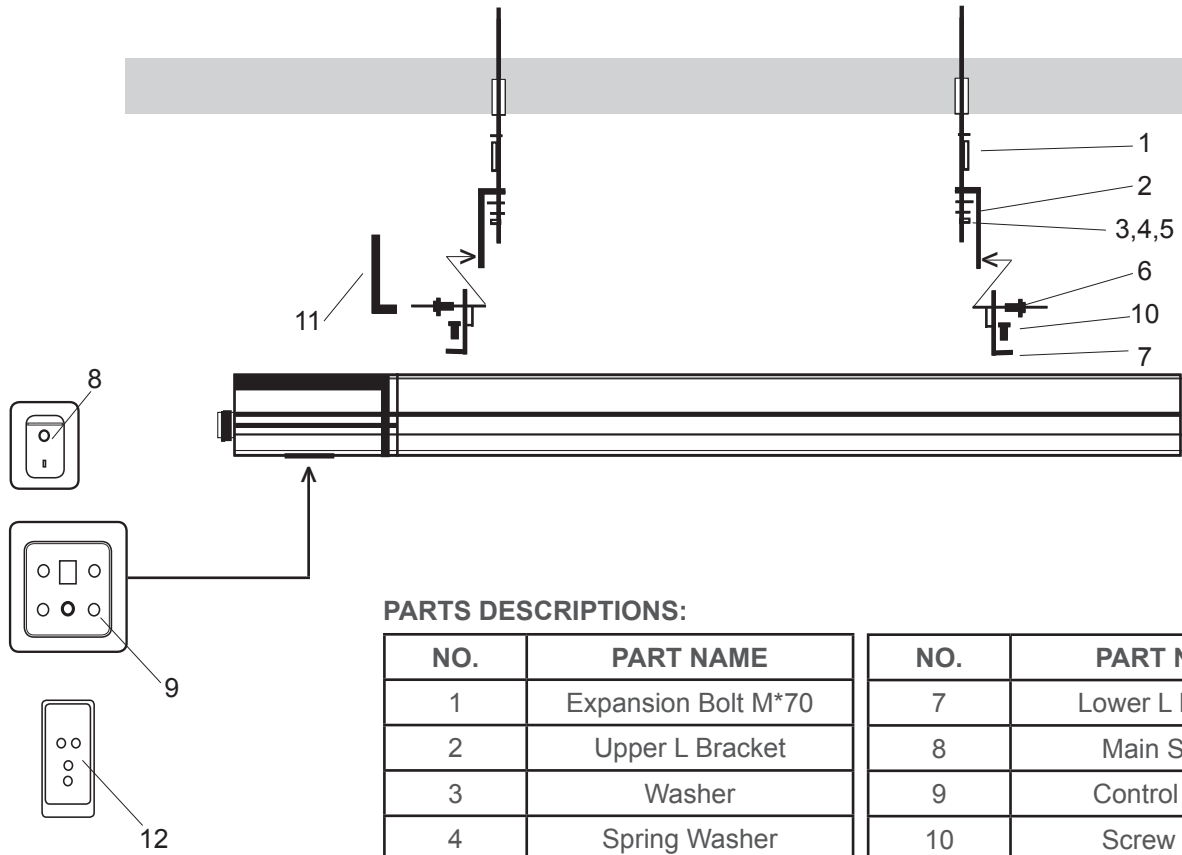
Unplug the unit from the socket outlet before cleaning. Make sure unit is cool prior to cleaning. It should be wiped with a damp cloth only, avoid excess liquid.

Accessories Check List:

ACCESSORIES NAME	QTY
Upper L Bracket	2
Lower L Bracket	2
Expansion Bolt M6*70	2
Screw M6* 16	2

ACCESSORIES NAME	QTY
Remote Control	1
Allen Key	1
Screw M6*8	4

SPECIFICATION



PARTS DESCRIPTIONS:

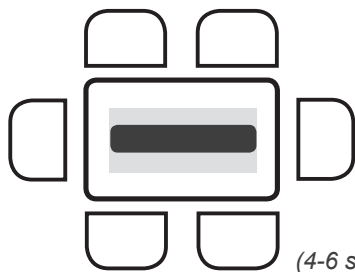
NO.	PART NAME	NO.	PART NAME
1	Expansion Bolt M*70	7	Lower L Bracket
2	Upper L Bracket	8	Main Switch
3	Washer	9	Control Panel
4	Spring Washer	10	Screw M6*8
5	Screw Nut M6	11	Allen Key
6	Screw M6* 16	12	Remote Control

MODEL NO.	CAST18R	CAST24R	CAST32R
Rated Power (Watts)	1500 -1800W	2000 - 2400W	2700 - 3200W
Rated Voltage	220-240V 50Hz	220-240V 50Hz	220-240V 50Hz
Plug Type	10 Amp	10 Amp	Hardwired unit or 15amp plug (Not supplied)
Power Cord Length (Metres)	1.8M	1.8M	1.8M
IP Rating	IP65	IP65	IP65
Product Dimensions (mm)	1263 x 154 x 74	1543 x 154 x 74	1938 x 154 x 74
Unit Weight (Kg)	5.0Kg	6.8Kg	8.0Kg
Mounts Supplied	Ceiling & Wall	Ceiling & Wall	Ceiling & Wall
Heat Settings	3 (Low/Med/High)	3 (Low/Med/High)	3 (Low/Med/High)
Remote Control	Yes	Yes	Yes
Timer Cut Off	Up to 9 hrs	Up to 9 hrs	Up to 9 hrs

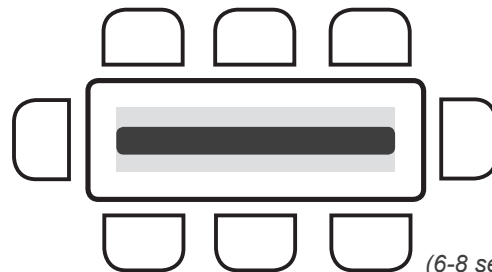
HEATING COVERAGE

For the majority of outdoor heating applications the most effective method to heat a particular area is displayed below. The diagrams provide an easy selection guide for the approximate coverage capacity in common settings & area sizes.

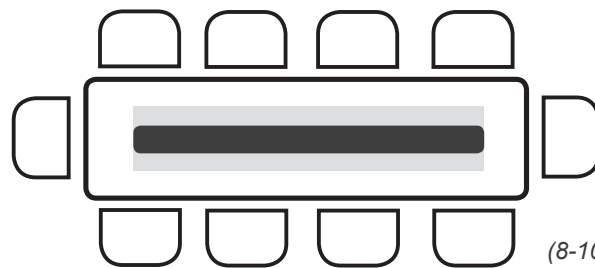
Table settings



CAST18R
(4-6 seat capacity)

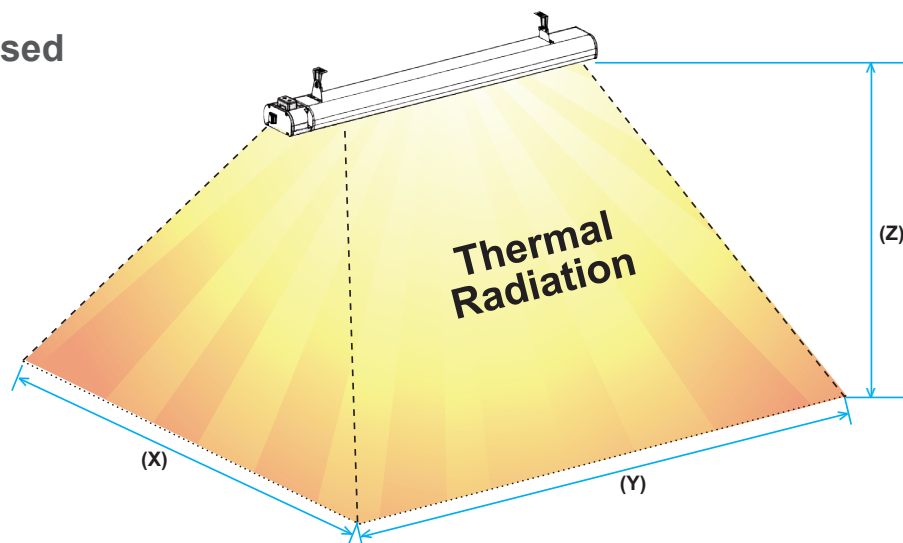


CAST24R
(6-8 seat capacity)



CAST32R
(8-10 seat capacity)

Outdoor enclosed



Model	(X)m	(Y)m	(Z)m	Heating Area m2
CAST18R	2.5	4	1.8	10
CAST24R	3	4.5	1.8	13.5
CAST32R	3.5	5	1.8	17.5

INSTALLATION

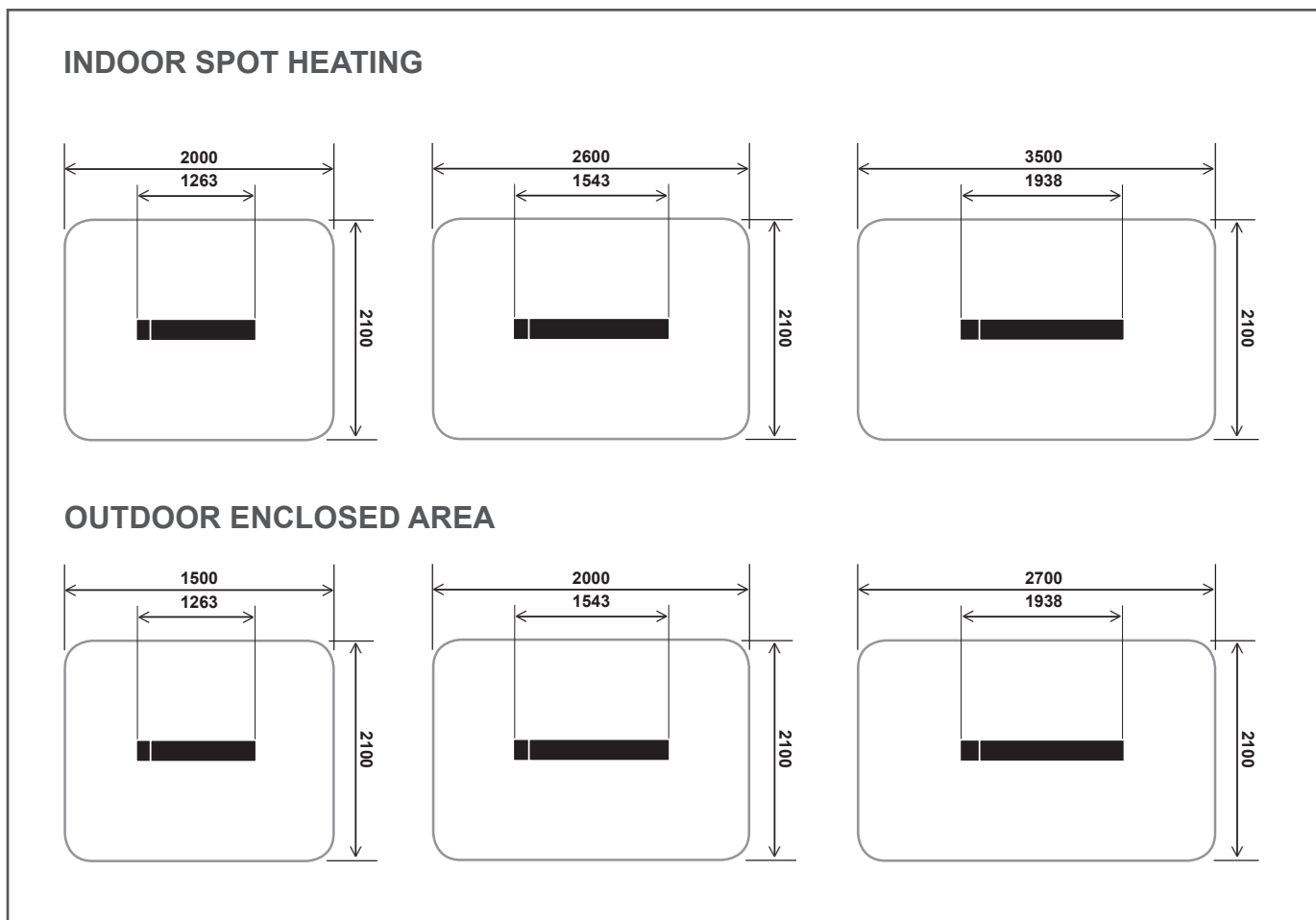
The Cannon Horizon strip heaters use Horizon Heat which use infrared radiant heat, that heats objects and people rather than air, for a more efficient and comfortable heat. Having the optimal placement, where people are within the heated footprint area, will ensure an ideal result.

Application

Recommended for use in outdoor uncovered areas with a ceiling height between 2.1 - 2.7m. Areas such as patios, verandas, balcony ceilings & spot heating indoors for open areas including drying rooms, bathrooms, studios or exercise spaces.

Heated Area

The below drawings provide an approximate heating area for each model, based on an enclosed indoor & outdoor environment, with an overhead mounted unit.



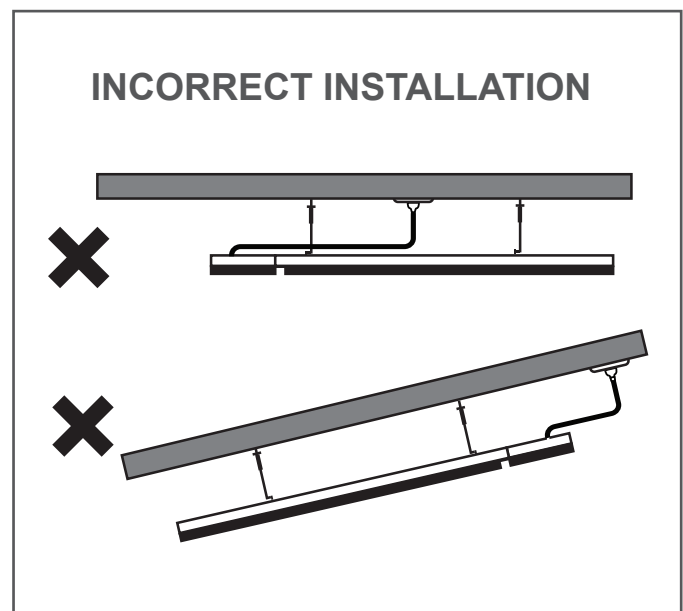
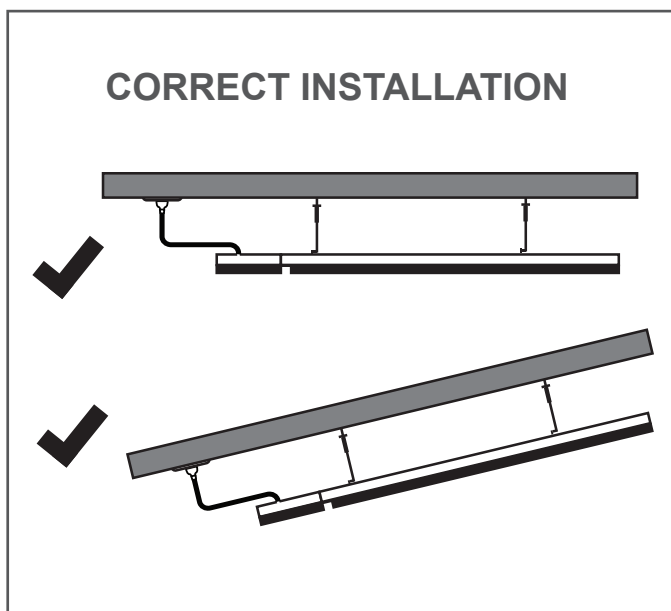
INSTALLATION

Installation Requirements

Please ensure that you inspect the unit prior to installation for any damage. If damage is present DO NOT INSTALL or OPERATE and contact the supplier for advice.

For optimal positioning we recommend a horizontal ceiling mounted unit, directly above the area that requires heating, facing downward. If this position is not possible, then the Cannon Horizon models are supplied with mounting brackets that allow for downward angled wall and ceiling positions. For this position, please ensure that the mounting height is within 2.1M to 2.7M.

Heating effectiveness will be reduced if appliance is mounted at greater heights.



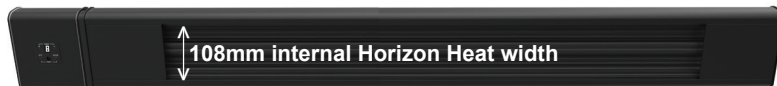
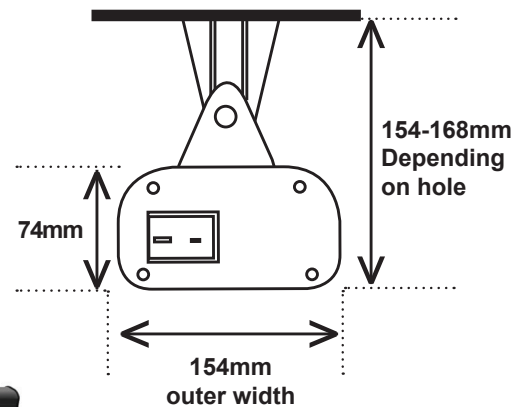
The electrical connection or socket outlets should not be located at the back of the heater. They must be located outside the installation footprint of the unit, to reduce the heat build-up behind the unit. If the strip heater is mounted on an incline (gabled ceiling), ensure that the electrical connection is located at the lowest point of the heater.

DO NOT use power boards or double adaptors for this appliance.

INSTALLATION

Installing the unit

1. Remove heater and accessories from packaging and inspect for damage.
2. Review area and determine the ideal mounting position taking into account the required clearances.
3. Set the adjustable mounting brackets to the desired angle, based on the clearances and area where it is to fixed.
4. Mark the location for mounting brackets, referring to the below recommended spacing, as determined by the model.
5. Affix the brackets to the selected surface with appropriate fixing hardware (screws, anchors etc)



<p>CAST18R 1800W</p> <p>Distance (MM) L 1263mm</p>	<p>215mm 140mm 858mm centre line once brackets are fixed 1263mm</p>
<p>CAST24R 2400W</p> <p>Distance (MM) L 1543mm</p>	<p>215mm 140mm 1140mm centre line once brackets are fixed 1543mm</p>
<p>CAST32R 3200W</p> <p>Distance (MM) L 1938mm</p>	<p>234mm 140mm 1515mm centre line once brackets are fixed 1938mm</p>

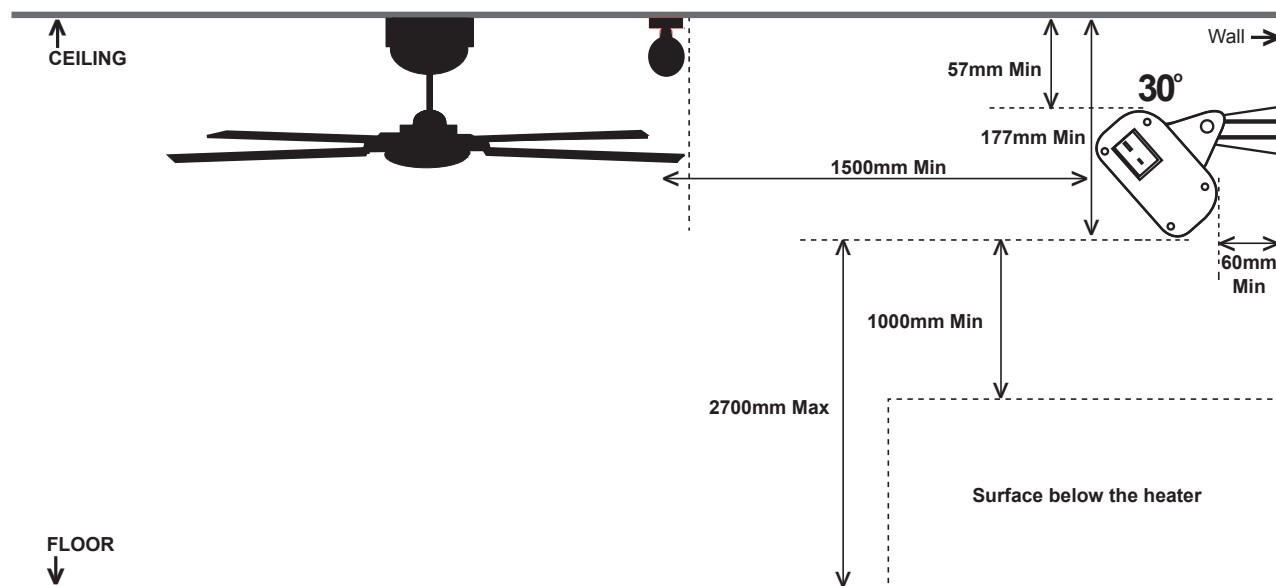
INSTALLATION

Clearances

See below the minimum recommended clearances

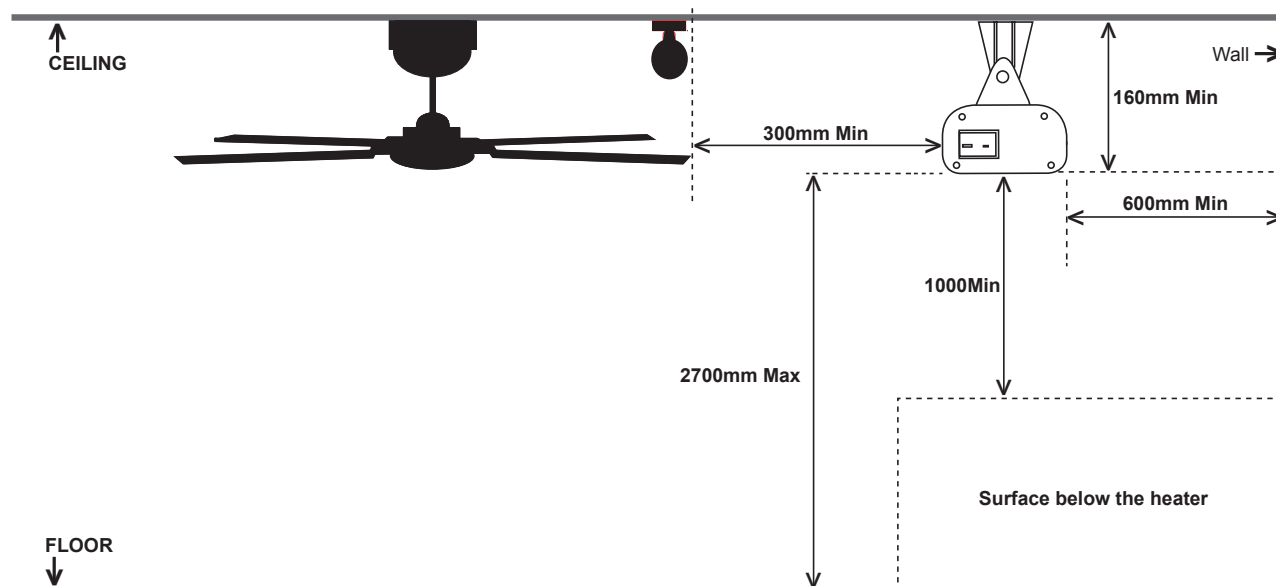
Angled Wall Installation

LIGHT, FAN OR SPRINKLER MUST NOT BE BELOW THE HEATER



Ceiling Installation

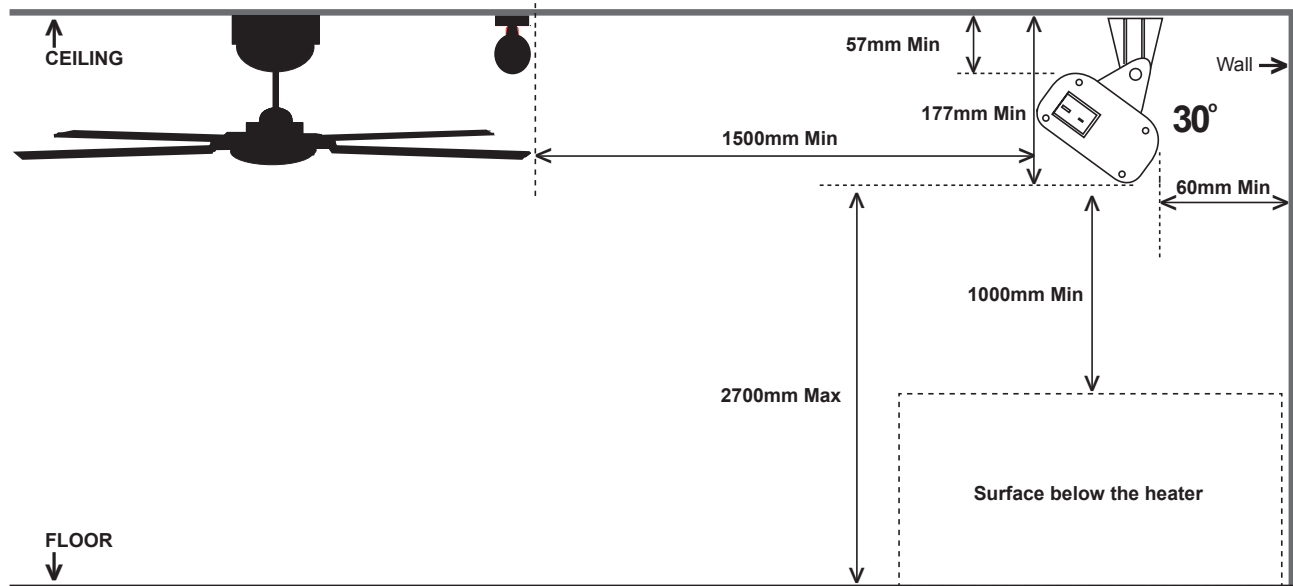
LIGHT, FAN OR SPRINKLER MUST NOT BE BELOW THE HEATER



INSTALLATION

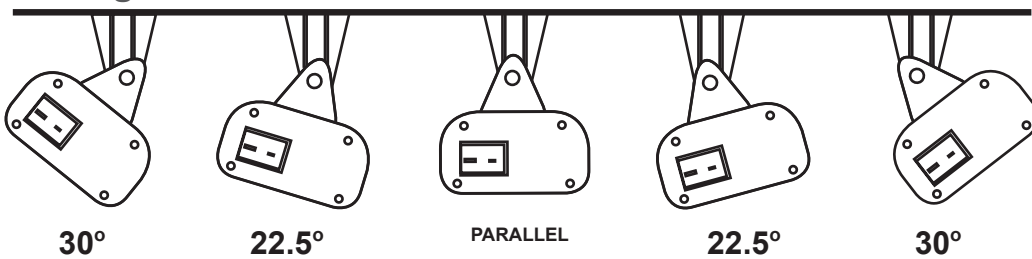
Angled Ceiling Installation

LIGHT, FAN OR SPRINKLER MUST NOT BE BELOW THE HEATER

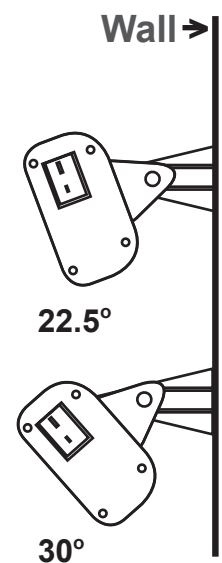


The Cannon Horizon Models come supplied with two mounting brackets, allowing you to adjust the angle, for angled ceiling & wall installation

Ceiling



WARNING: This appliance must never be installed in the upwards or inwards facing position, the heating surface must always be positioned to direct heat in a downward or outward direction. Refer to above diagram.



OPERATION

1. Plug in the unit to a socket outlet. Make sure the power supply corresponds to the ratings on the data plate of the appliance.
2. Press Main Switch on left side of the heater. The mark "-" in the digital display starts flashing showing the heater is on standby.

Press MODE button on control panel or remote control to switch the heater on or to higher power. Power setting level 1 (low), level 2 (medium), level 3 (high) will show on the digital display.

Press TIMER "+/-" button on control panel or remote control to choose the timer between 0-9 hours. "0" means the timer is off.

The digits of the power settings and timer will be displayed on the unit, as selected:

- The heat power settings (1, 2 or 3) show displayed for ten seconds,
- Timer selection (0 to 9) stays flashing for five seconds.



3. To shift the heater to standby mode, press OFF button on control panel or remote control. The mark "-" in the digital display starts flashing again.
4. To switch off the heater, press Main Switch on the left side of the heater accordingly.



WARRANTY

Two Year Warranty


This Warranty against defects for your newly purchased Cannon outdoor heating product is proudly prepared by IXL Home Pty Ltd of 1/391 Boundary Rd, Truganina, VIC 3029, phone 1300 727 421.

1.  Cannon outdoor heating products come with guarantees that do not exclude the following consumer entitlements under the Australian Consumer Law & New Zealand Consumer Law.
 - a. replacement or refund for a major failure and compensation for any other reasonably foreseeable loss or damage; and
 - b. to have the goods replaced if goods fail to be of acceptable quality and the failure does not amount to a major failure.
2. IXL Home warrants that your product and related supply will be free from defects in materials and workmanship during the warranty term. **Your warranty term is two years commencing from the date of purchase.** 

IXL Home acknowledges this product requires professional installation and product removal is hazardous to consumers. Accordingly any necessary inspections and services will be carried out on site. You should not attempt de-installation.
3. Subject to Point 1, IXL Home will during the warranty term provide a repair or replacement of an equivalent current model where the balance of the warranty period from the original date of purchase will take effect.
4. To the fullest extent permitted by law and subject always to Point 1, IXL Home will not be liable for:
 - a. any loss or damage arising from loss of use, loss of profits or revenue; or
 - b. for any indirect or consequential loss or damage resulting from any breach of this warranty against defects.
5. Defective Cannon outdoor heating products may be repaired using refurbished parts or if required, completely replaced by a refurbished product of the same type.

WARRANTY

Limitations to Your IXL Home Warranty

6. Subject to Point 1, this Warranty:
- a. will only be provided to the original purchaser where the original purchase was made from a IXL Home Authorised Dealer or Reseller and proof of such purchase can be presented at the time of service;
 - b. only applies to Cannon outdoor heating products purchased in Australia or New Zealand from a IXL Home Authorised Dealer or Reseller;
 - c. will not apply where the defect in or failure of the product is attributable to misuse, abuse, accident or non-observation of the manufacturer's instructions. This product must be used in accordance with the manufacturer's instructions;
 - d. will not cover faults due to normal wear and tear with reasonable use nor consumable components such as globes, filters, glass items, etc;
 - e. will not cover any damages or problems caused to this product by natural forces eg. storm, fire, flood, and earthquake; or by intrusion or accumulation (or both) of foreign matters eg. dust, soil, and moisture. IXL Home recommends that you take out appropriate insurances to protect your product to this end;
 - f. will not apply if this product is installed in a mobile dwelling eg. caravan or boat;
 - g. will not apply if this product is removed from the location where it was first installed;
 - h. covers use of this product for domestic use only; 
 - i. will not be restarted or extended upon replacement of the product or a part.

How to make a Claim under Your IXL Home Warranty

7. To make a claim under this Warranty you will need to:
- a. contact IXL Home service department on 1300 727 421 or 0800 727 421 alternatively email at service@ixl.com.au or service@ixlappliances.co.nz to provide details and register your claim enabling a IXL Home assessment;
 - b. submit proof of purchase with your claim eg. tax invoice or purchase receipt;

WARRANTY

8. IXL Home will contact you to make arrangements for a replacement product, if applicable.
9. Subject to Point 1, you will be responsible for any costs relating to the provision of your product to a IXL Home Authorised Service Dealer.
10. Subject to Point 1, in the event you live more than 50Km from a IXL Home Authorised Service Dealer you may be subject to travel or transport costs to facilitate the repairing or replacement of your IXL product.
11. IXL Home and its Authorised Service Dealers reserve the right to seek reimbursement of any costs incurred by them should your product be found to be in good working order.

Privacy

The privacy of your personal information has always been important to us. To learn more about how we collect, keep and use your personal information, please obtain a copy of our privacy statement by visiting our website or contact us via email or telephone.

AUSTRALIA

T 1300 727 421
E contact@ixlhome.com.au
W cannonappliances.com.au

NEW ZEALAND

T 0800 727 421
E contact@ixlhome.co.nz
W cannonappliances.co.nz

Models: CAST18R, CAST24R, CAST32R

CAST18R



CAST24R



CAST32R



Whilst every effort is made to provide current information at the time this brochure was produced, continuing product improvements mean the enclosed specifications, images and literature may differ from what is actually available.

Distributed by



The Home of Premium Brands

AUSTRALIA

1/391 Boundary Road Truganina VIC 3029

T 1300 727 421

F 1300 727 425

E contact@ixlhome.com.au

W cannonappliances.com.au

NEW ZEALAND

T 0800 727 421

E contact@ixlhome.co.nz

W cannonappliances.co.nz