

CODE PURE FLOOR STANDING IN-WALL-CISTERN PAN

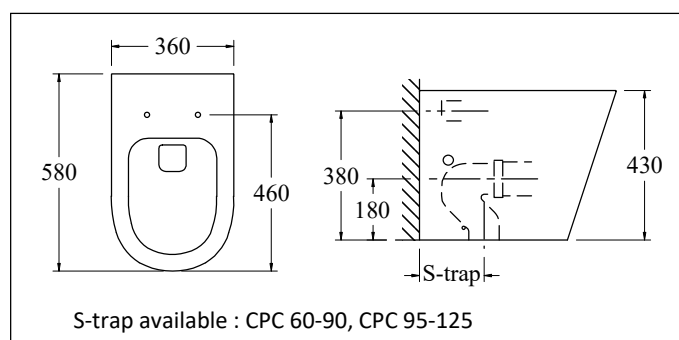
Installation Instructions

IMPORTANT

- Inspect your new toilet pan before installation to ensure no damage has occurred during transit. If damage has occurred, or visible defects exist, do not proceed with installation and advise the retailer immediately. No claims will be accepted after installation commenced.
- It is recommended that toilet seat and cover be installed after all trades has completed.
- All measurements for roughing-in should be taken from finished wall/floor.
- All installation works must be done by qualified trade persons.
- Elite bathroomware will not be liable for the cost of installation or removal of the toilet pan and the warranty will be voided if damage occurs during or after installation.

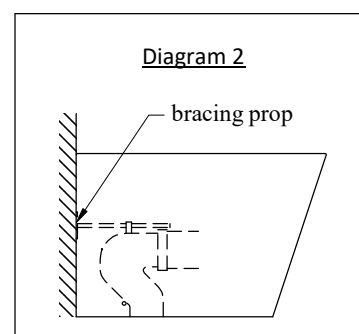
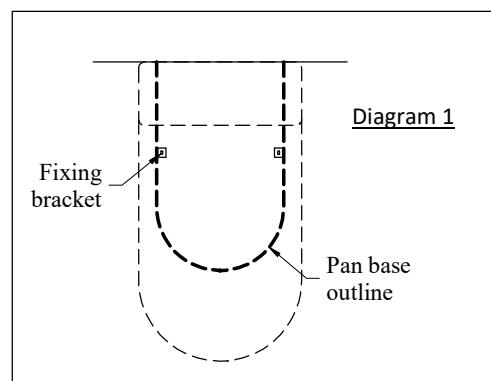
DESCRIPTION

- This toilet pan is a fully concealed, back to wall that has a variable set out of pan.
- This pan can be connected in a P-trap configuration (fittings not supplied). It can also be connected in a S-trap configuration with an adjustable S-trap convertor fitting (not supplied).
- The suite has a soft close seat that is attached via top-fixed bolts. The seat is removable for cleaning & replaceable without removing the pan.



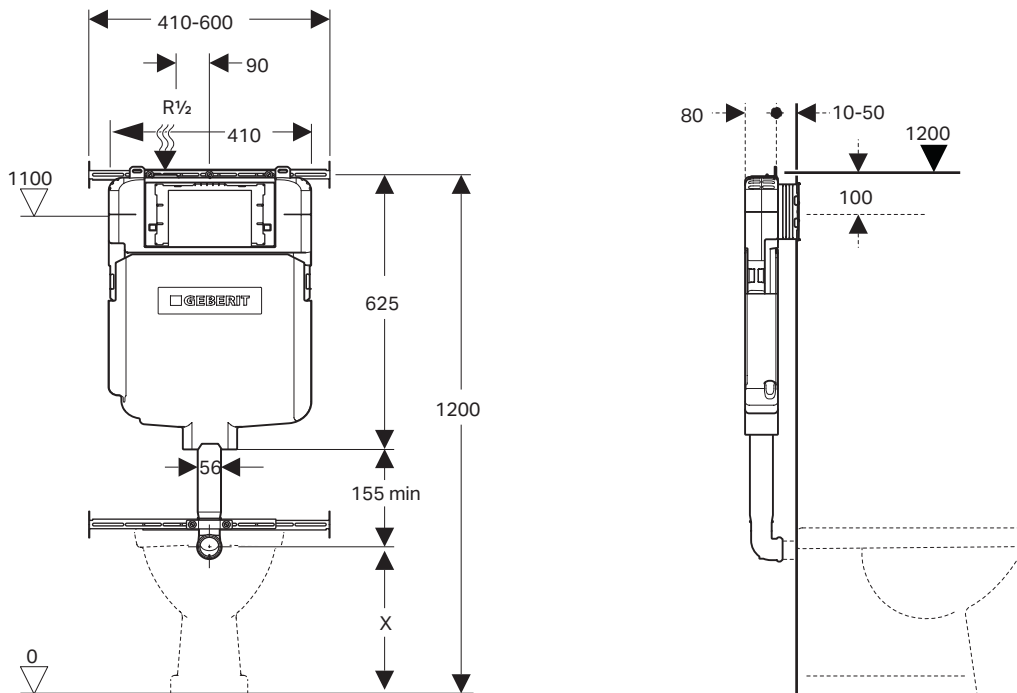
INSTALLATION

- Check site roughing-in, cistern tap position and assembly dimensions before start installation.
- The toilet pan must be installed on a level surface.
- Place the pan in position ensuring it is aligned with the centerline of the sewer connection.
- Mark on the floor - the location of pan fixing bolt holes.
- Remove pan and locate the position of floor brackets. Fix floor fixing brackets to the floor (Diagram 1).
- For P-trap installation
A pan connector (not supplied) and extension (not supplied) will be required. Place the pan into position ensuring it seals firmly to the pan connector.
- For S-trap installation
Adjust the bracing prop and pan convertor to correct length which to suit the set out.
Install the convertor and screw the bracing prop to the back wall.
Align and push the toilet pan back to the wall.
Check the outlet connection fits with the pan and is fully back against the wall (Diagram 2).
- Insert floor bracket screws through the fixing holes and hold the pan in position.
- Attach decorative caps.
- Waterproof sealant finishing may be used around the base of toilet pan.
- Fit seat and cover.



Sigma8 Concealed Cistern

BTW Cistern 4 Star 109.795.00.1



Article No.	109.794.00.1 (6/3L) 109.795.00.1 (4.5/3L)
Installation type	In-wall, stud or brick 90mm
WELS rating	3 Star (6/3L) or 4 Star (4.5/3L)
Pan type	BTW S or P Trap – suits all major brands
Standards	Watermark
Operating Pressure	10-1000Kpa
Operation	Mechanical Front Flush
Warranty	15 years on cistern tanks and frames, 3 years on valve products

Sigma plates compatible with Sigma cisterns.

Sigma60: Requires minimum 30mm wall thickness

* Separate service access required with pneumatic buttons