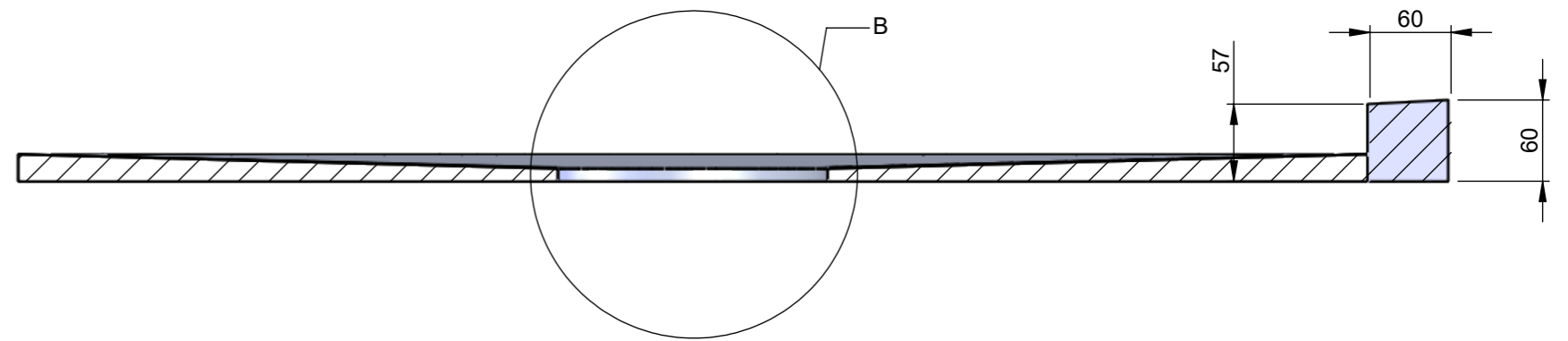
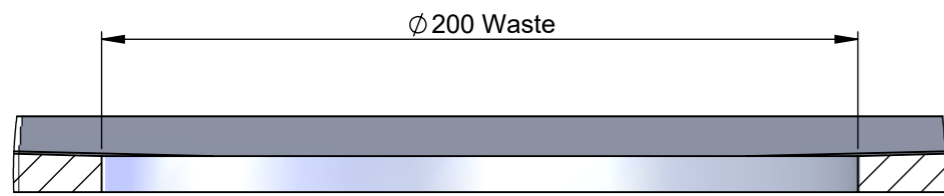
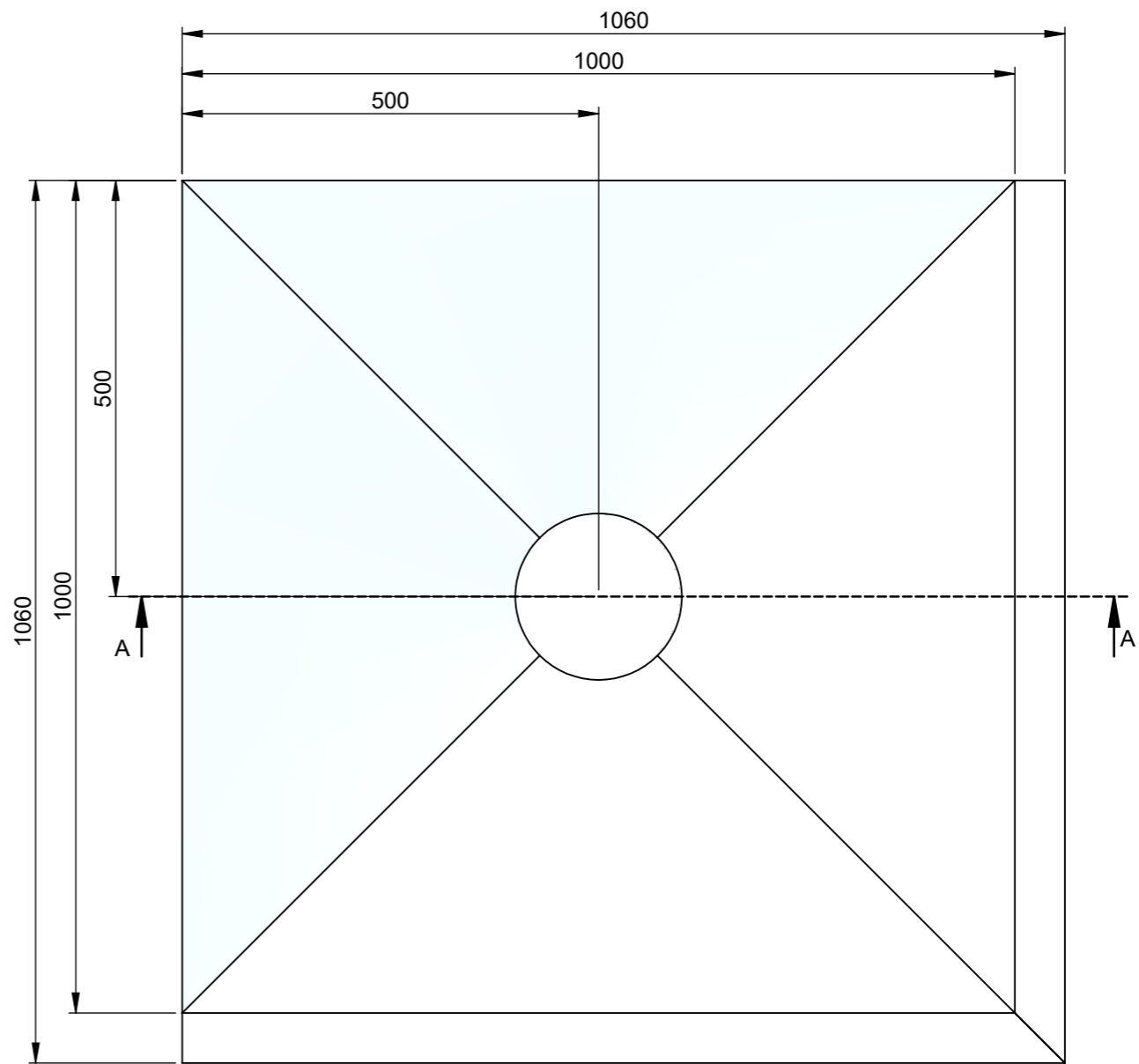
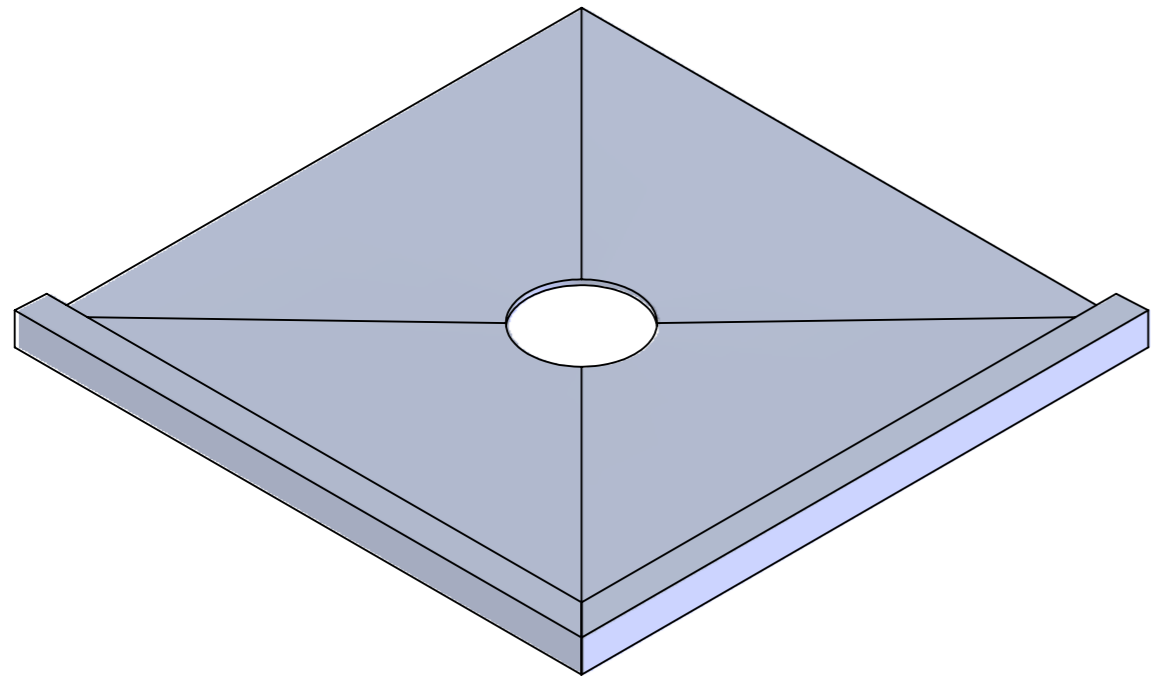


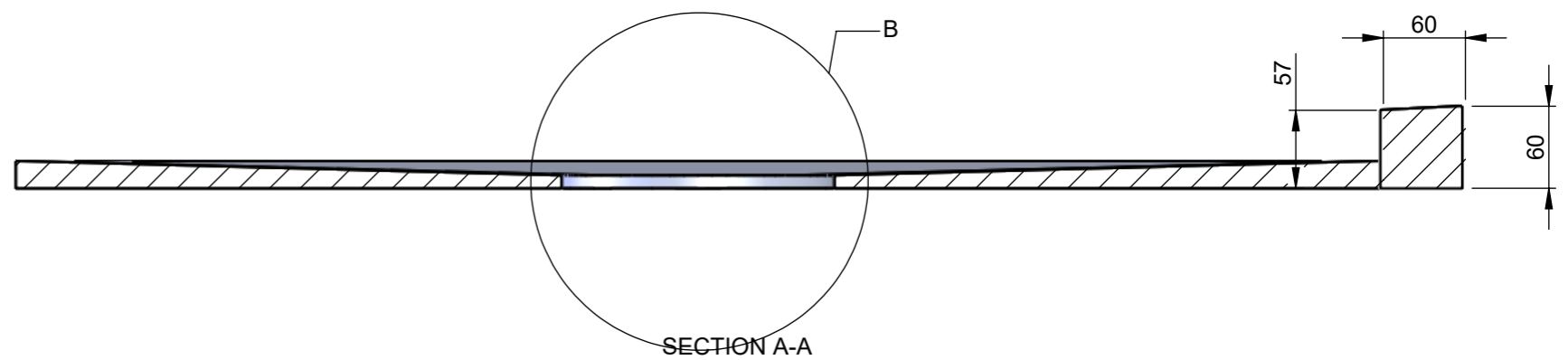
DETAIL B



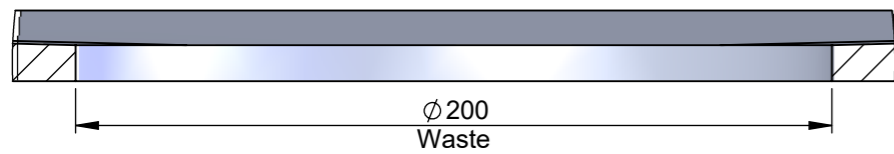
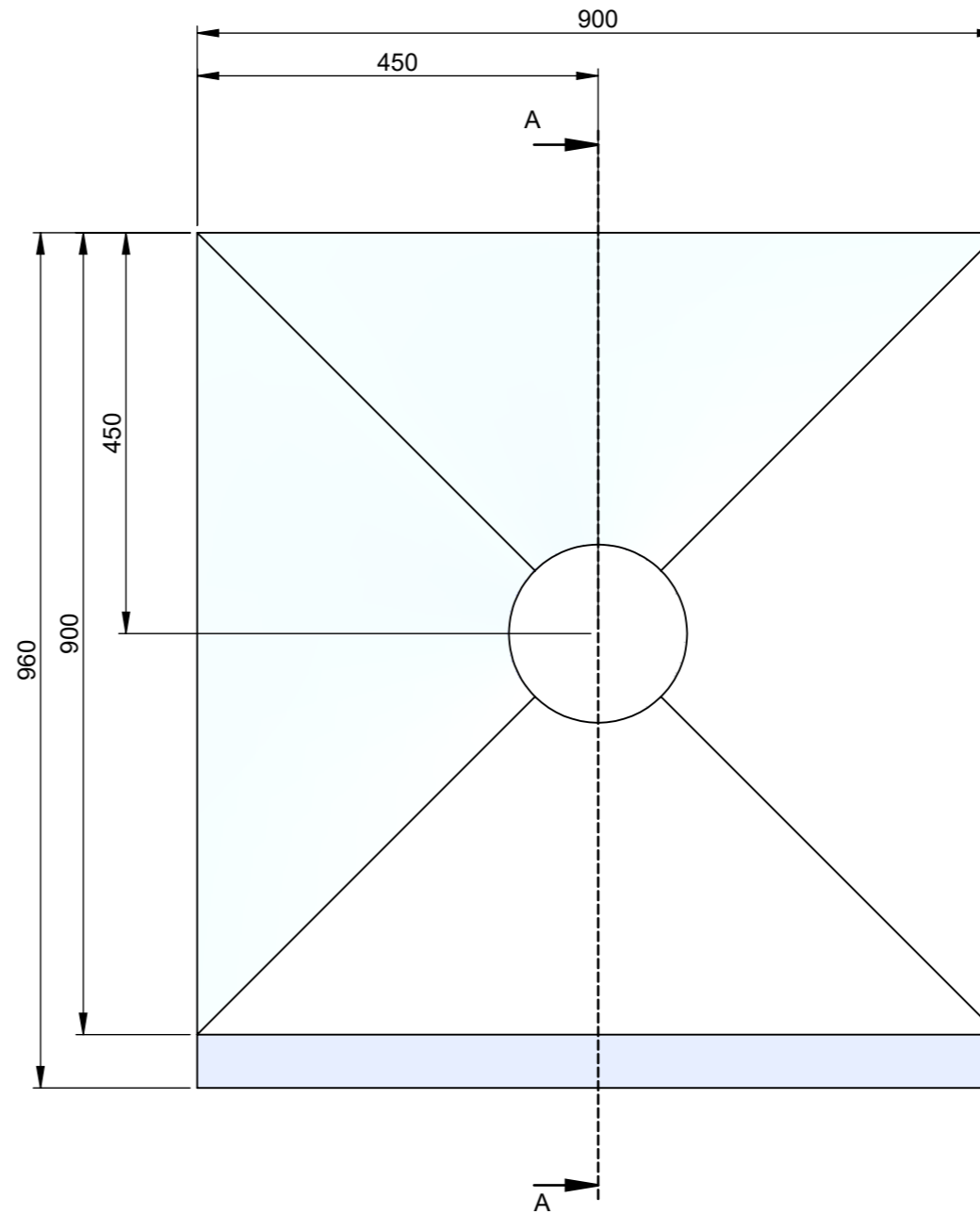
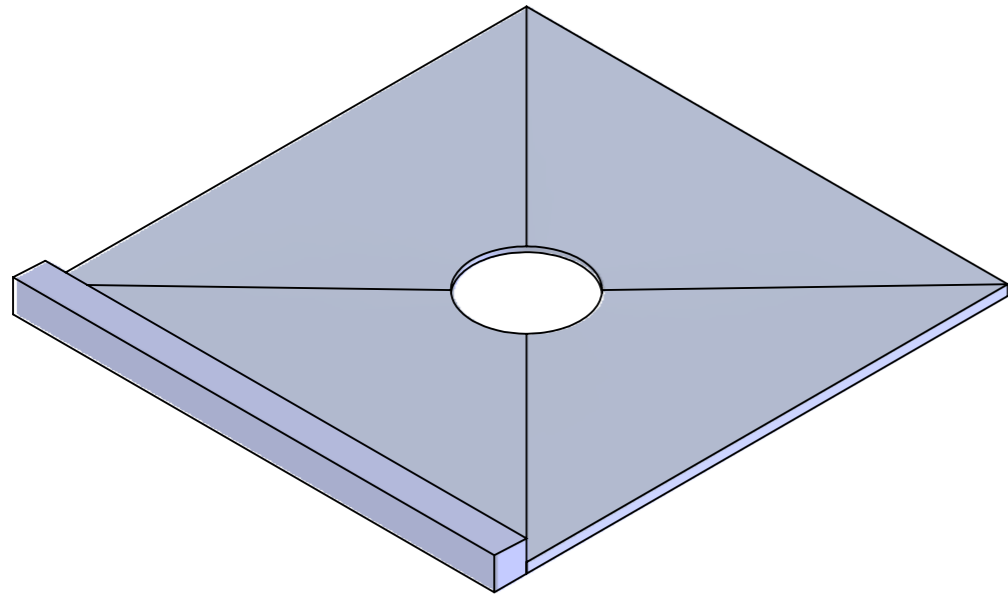
SECTION A-A



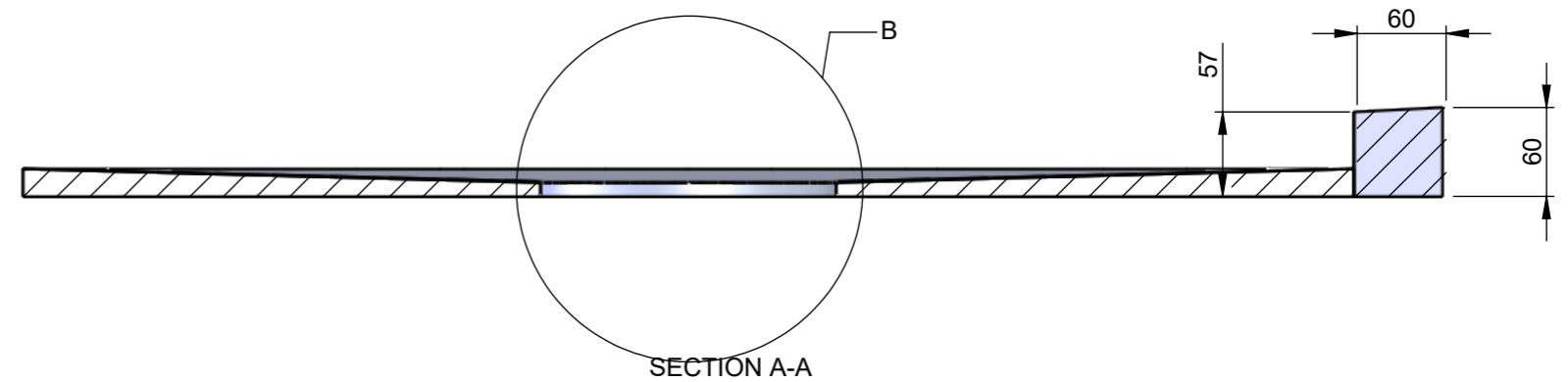
DETAIL B

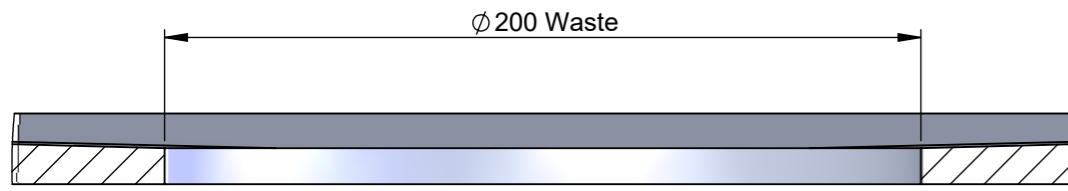
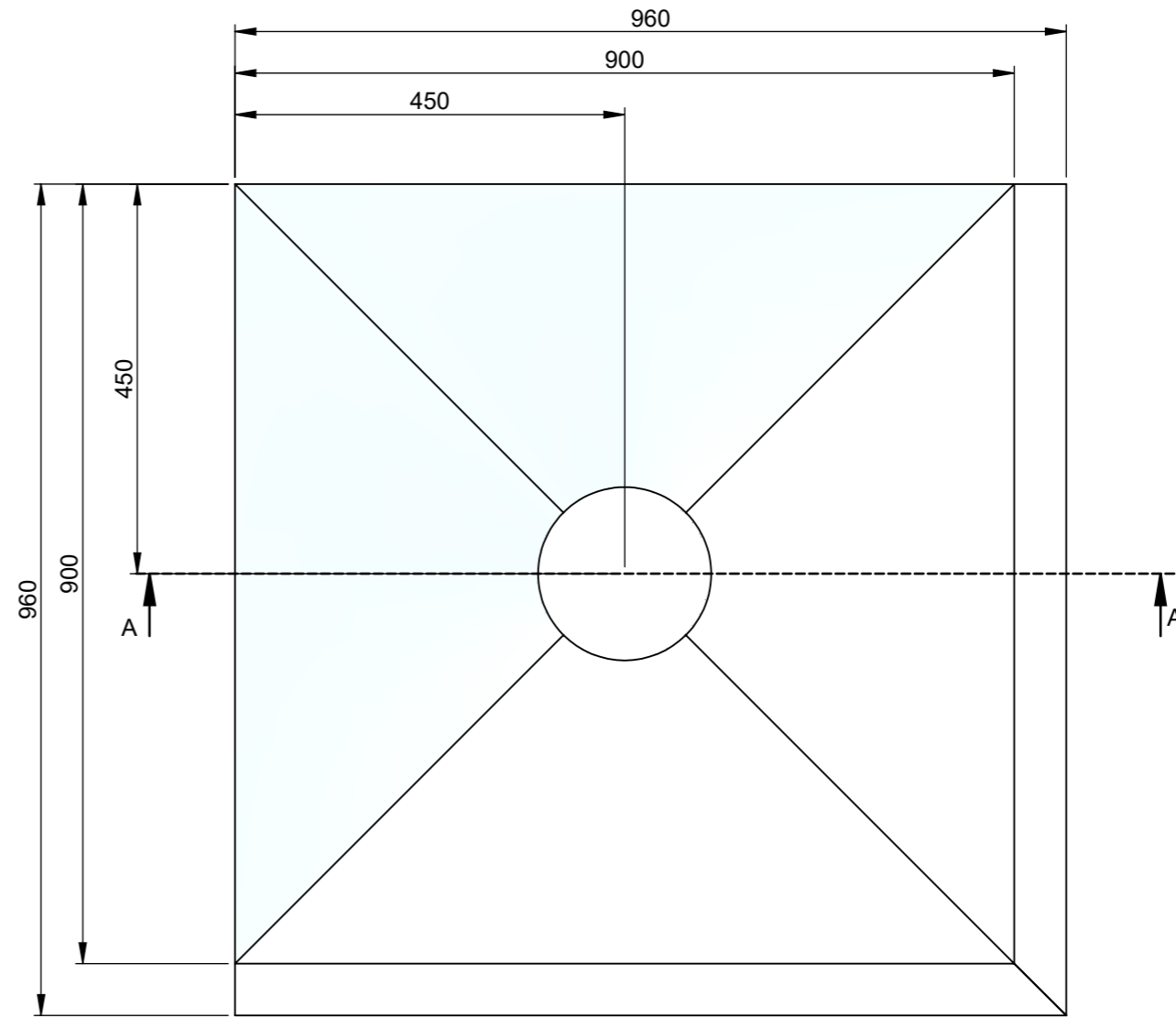
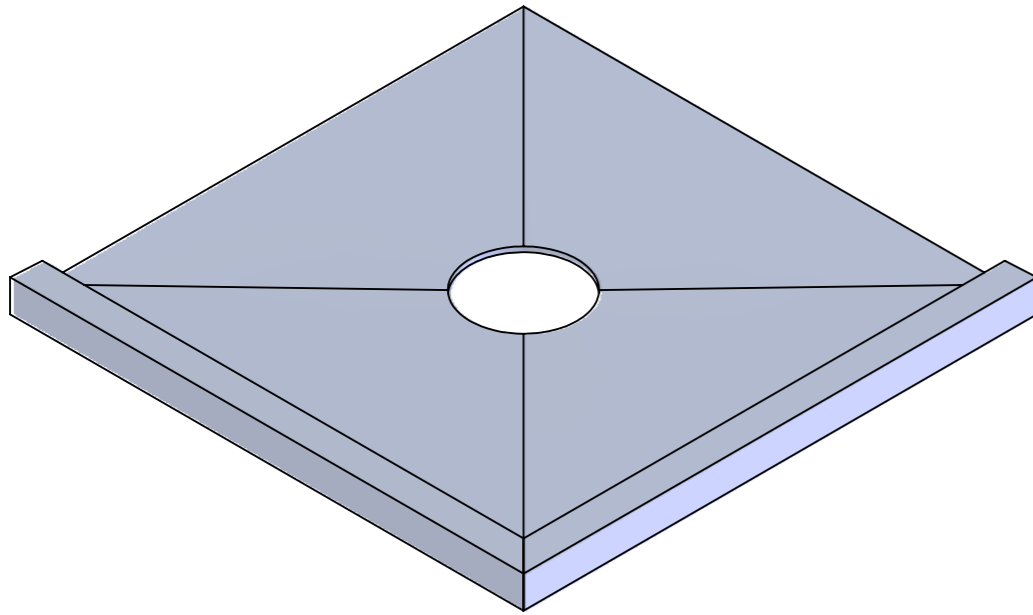


SECTION A-A

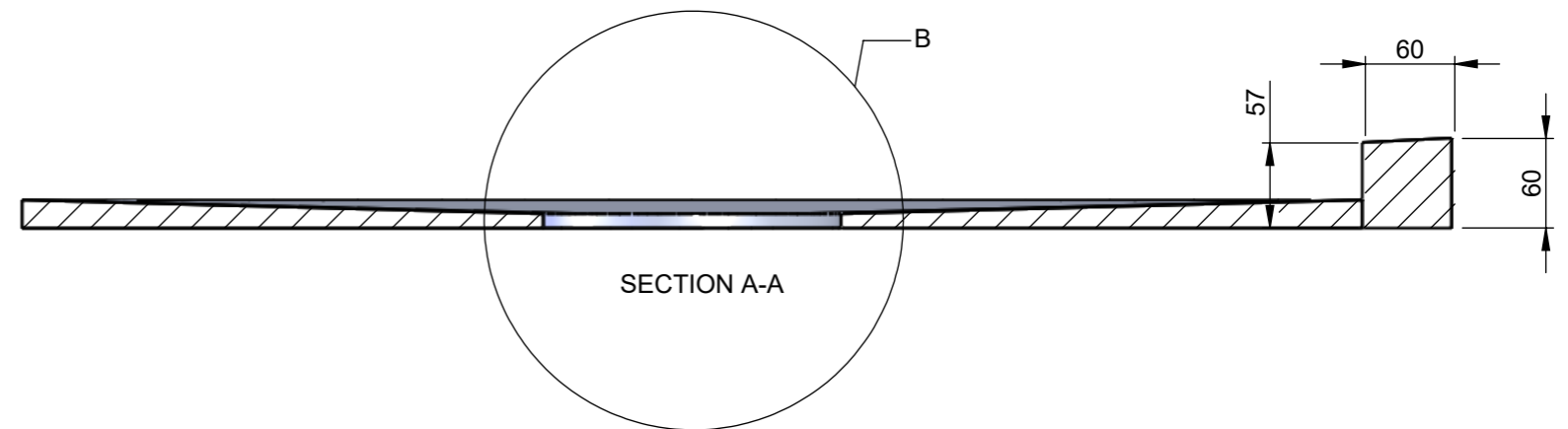


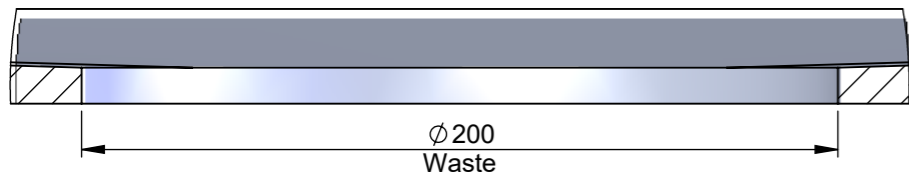
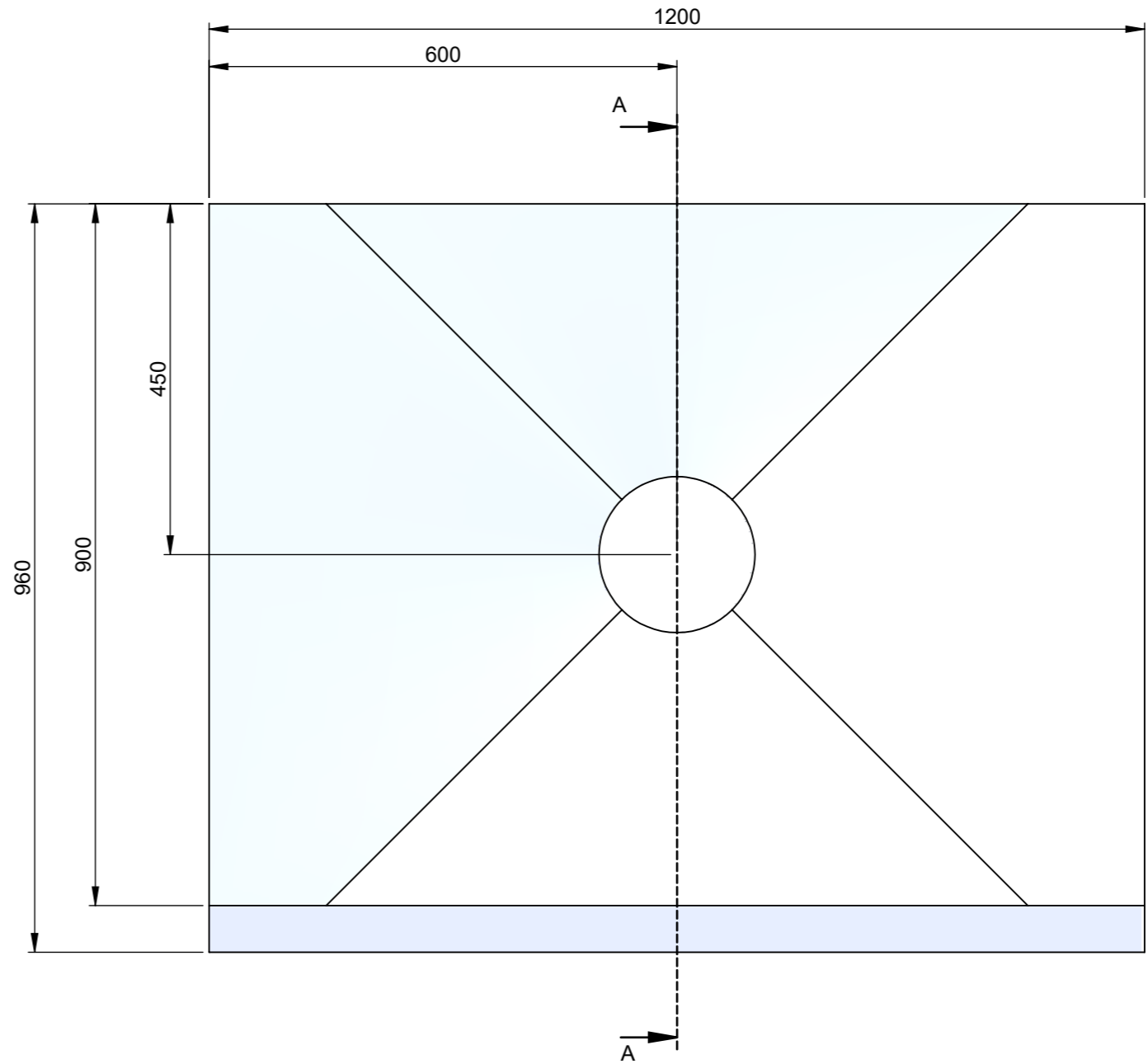
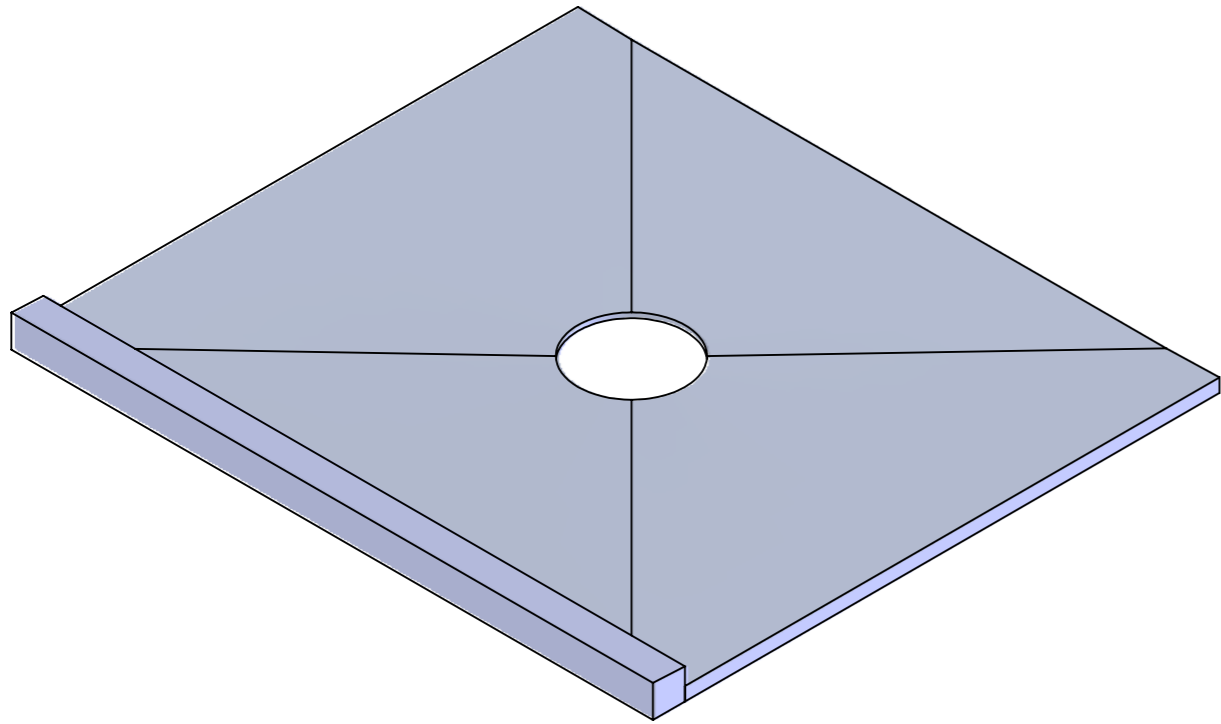
DETAIL B



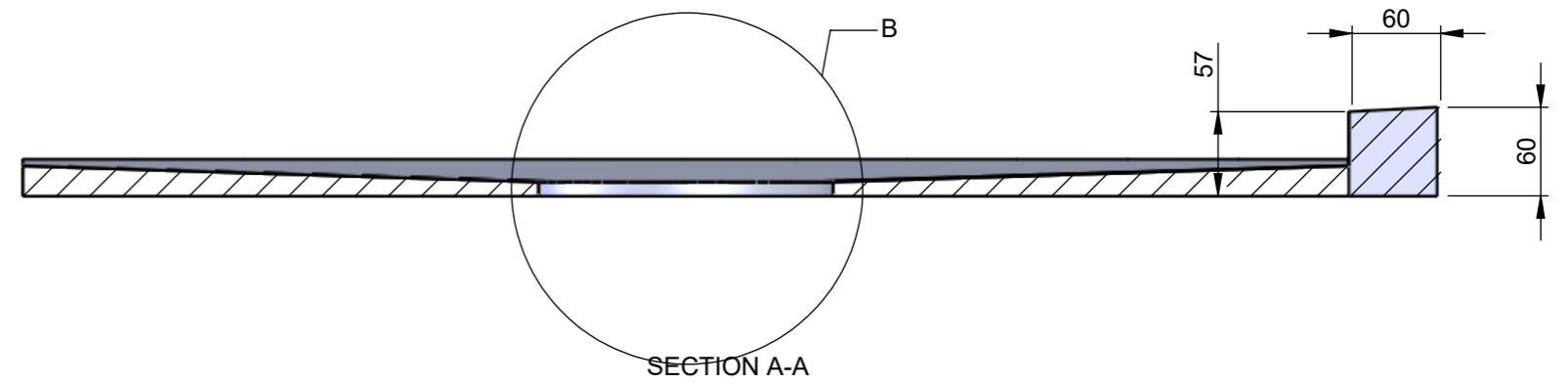


DETAIL B

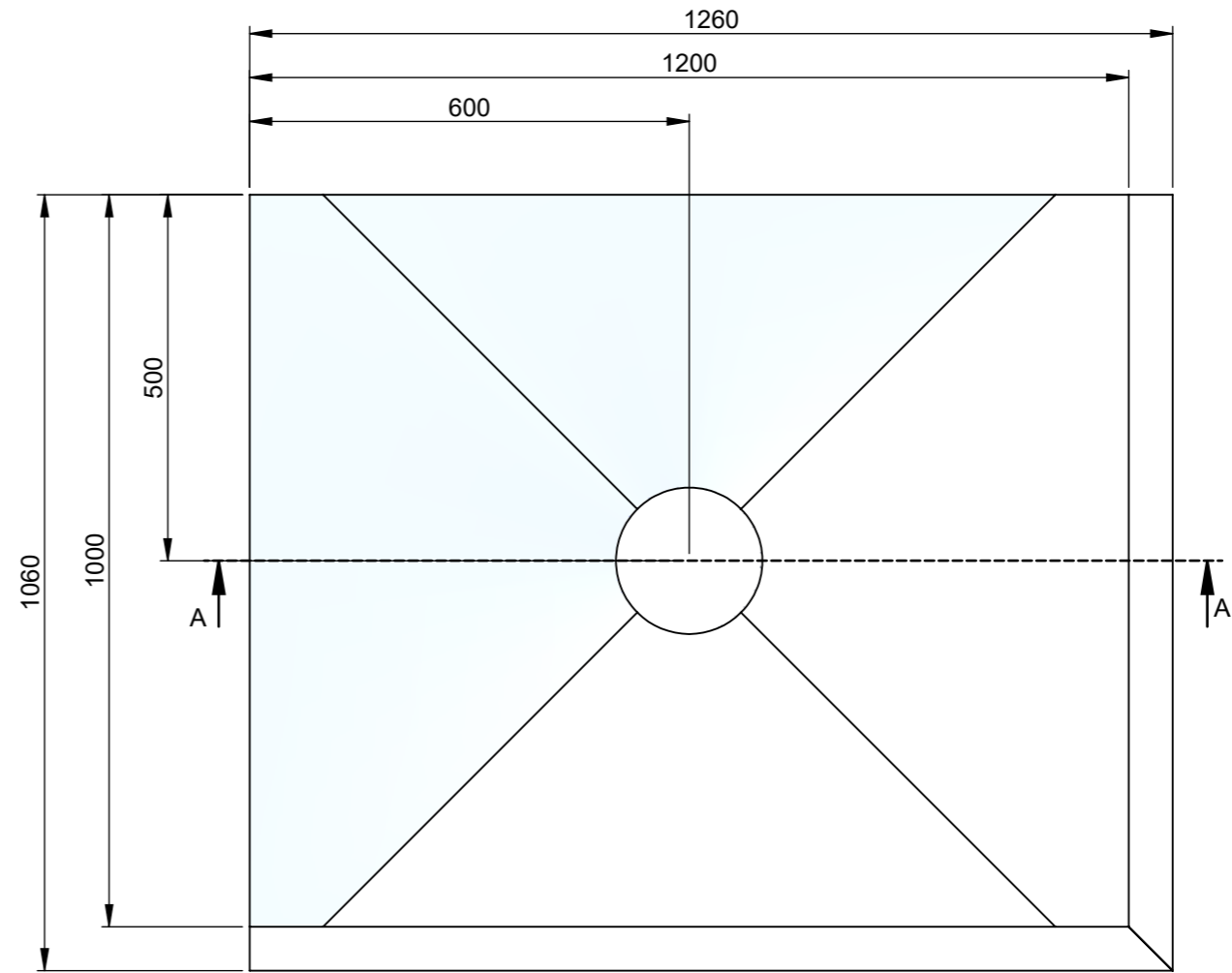
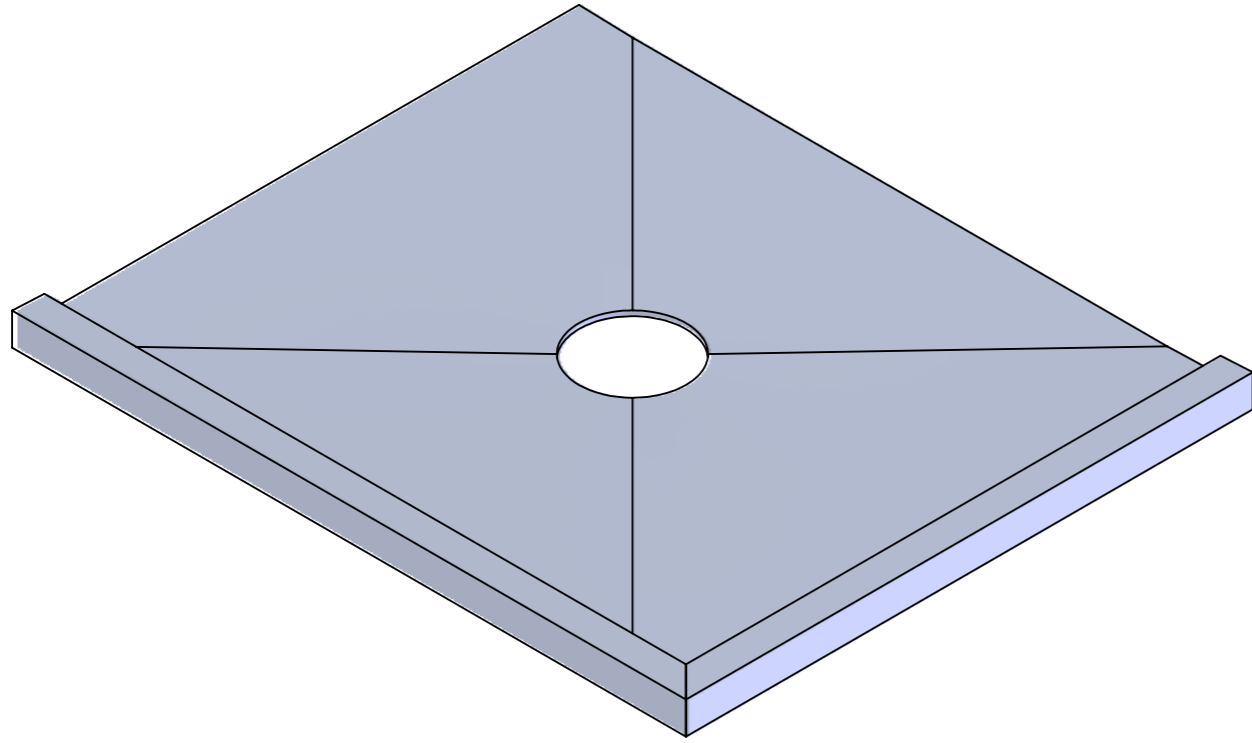




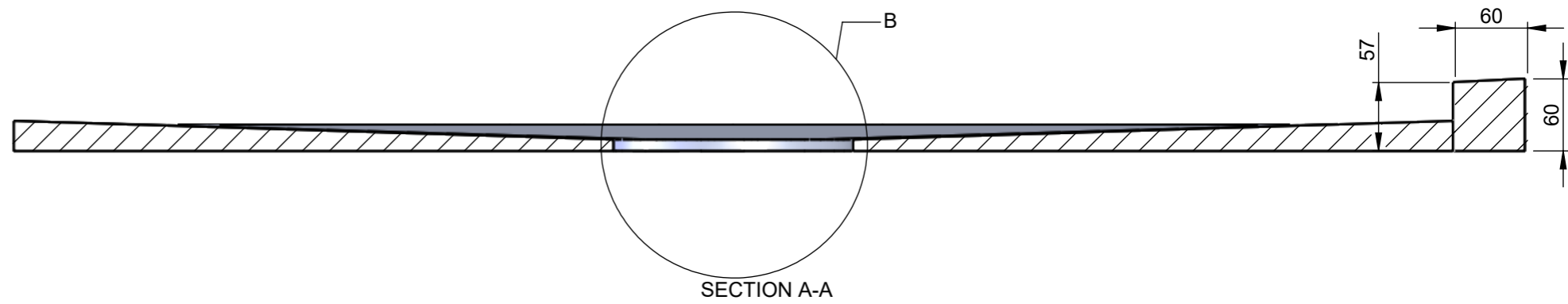
DETAIL B



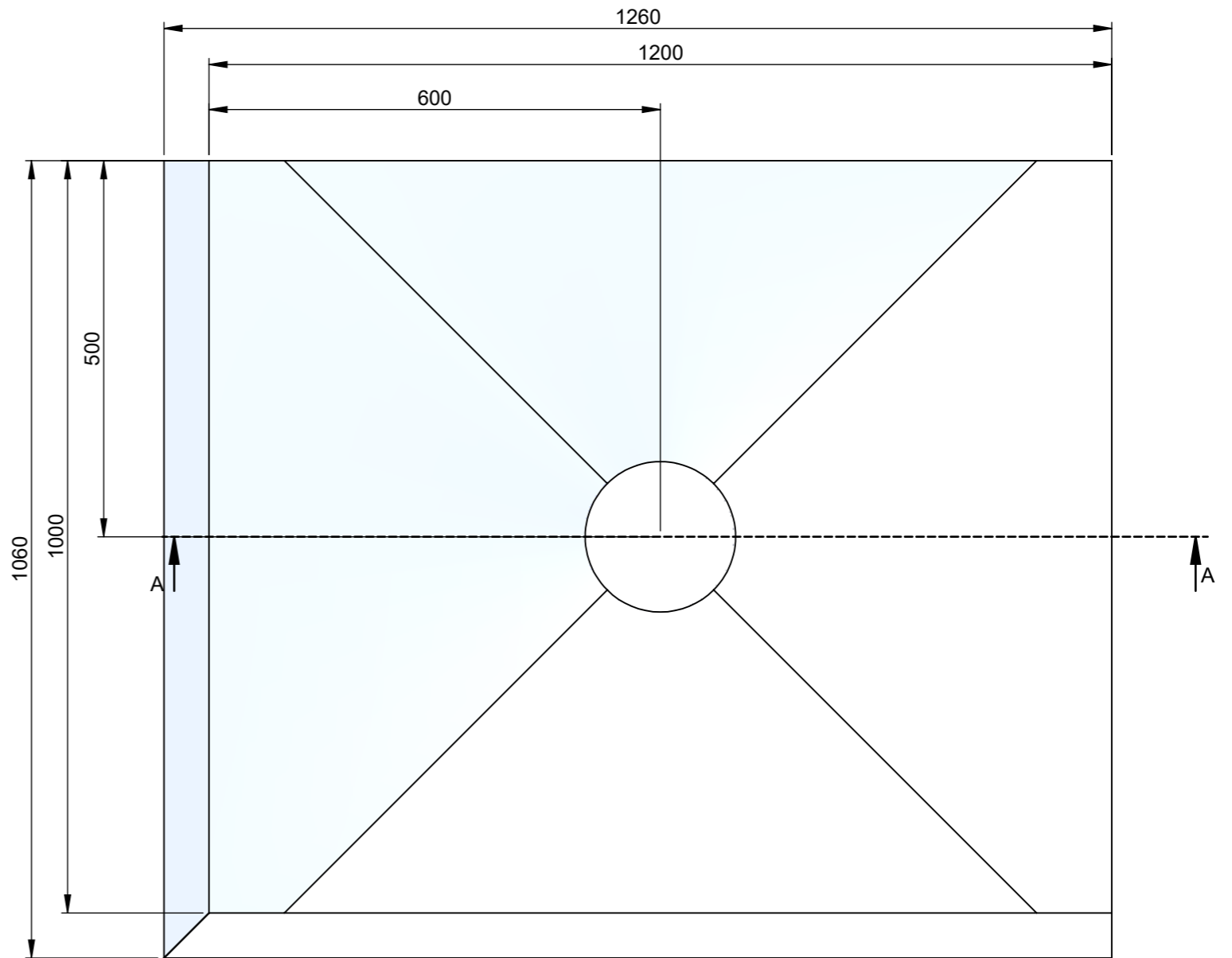
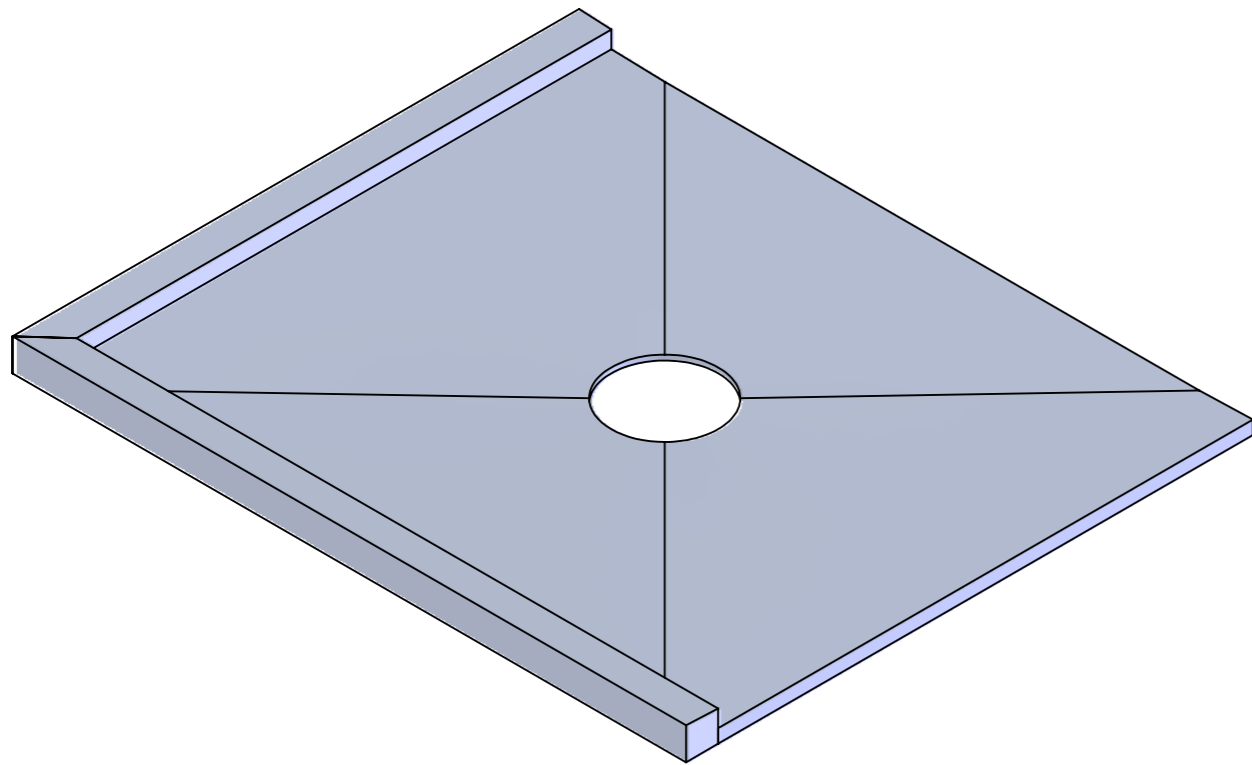
SECTION A-A



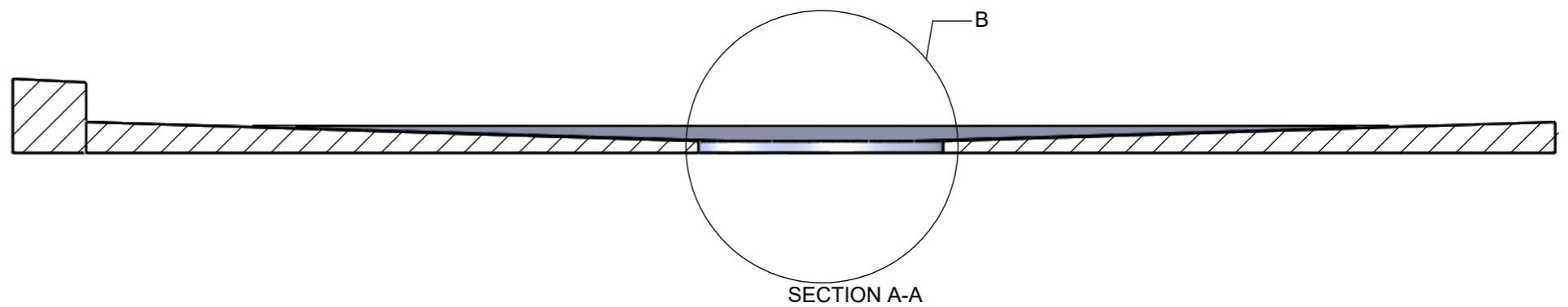
DETAIL B

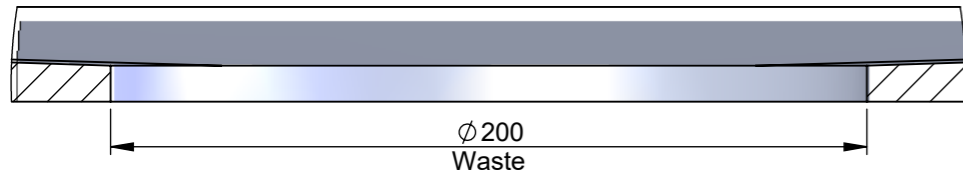
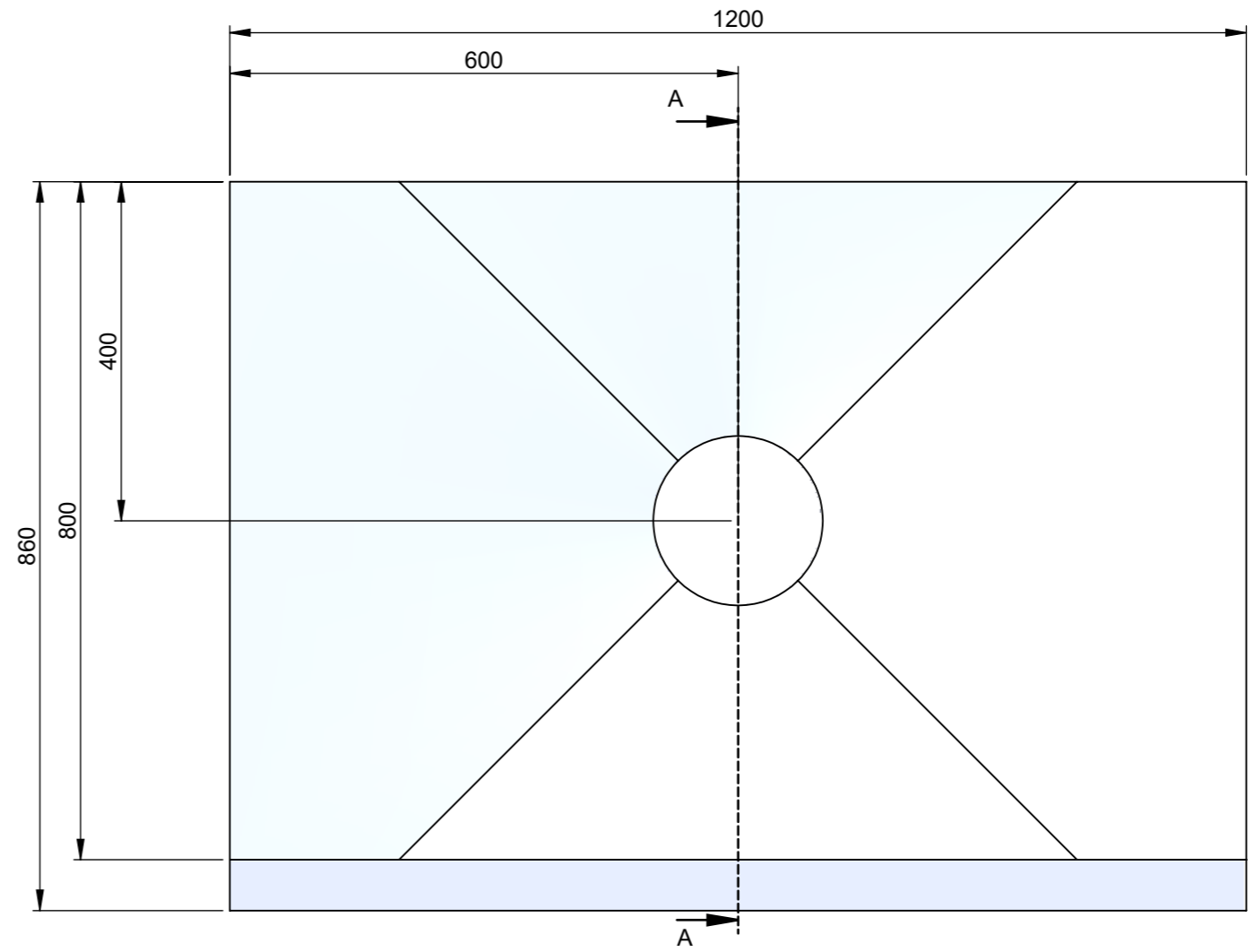
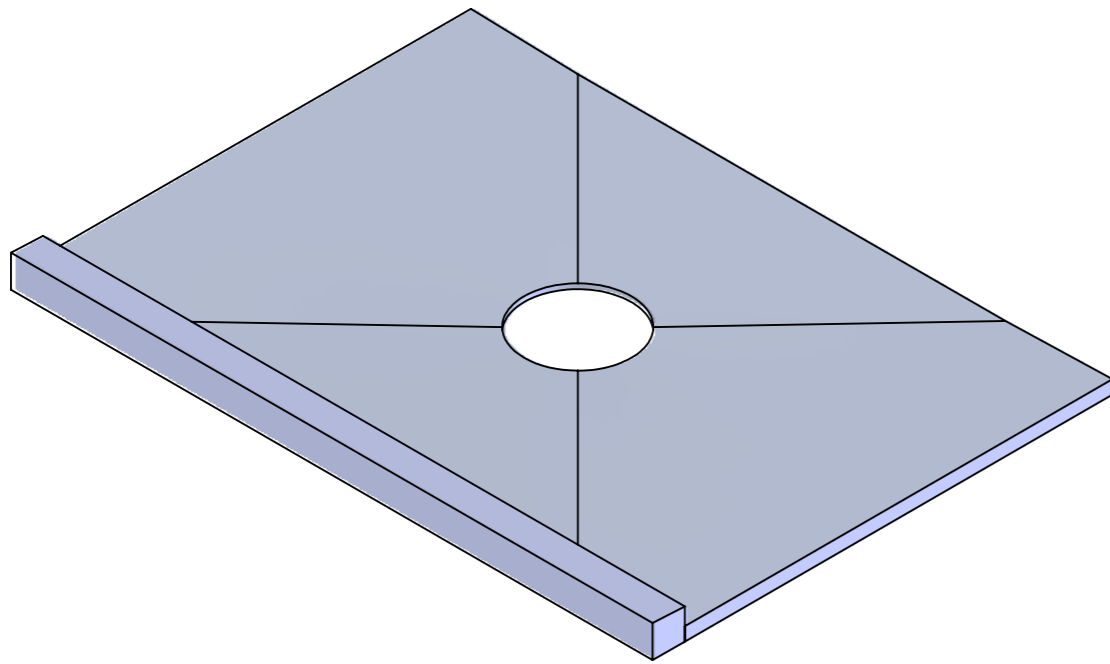


SECTION A-A

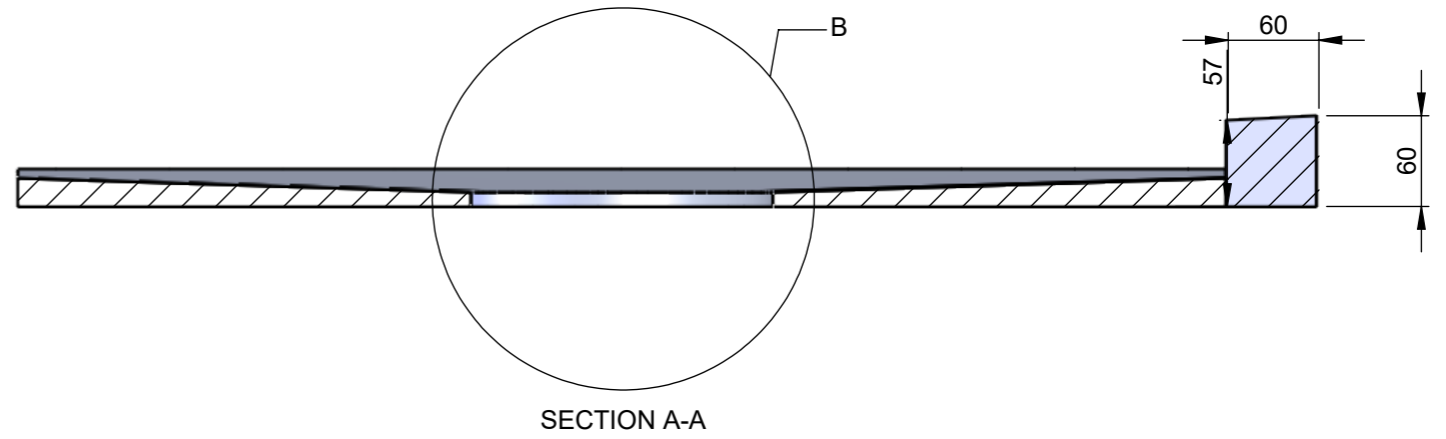


DETAIL B

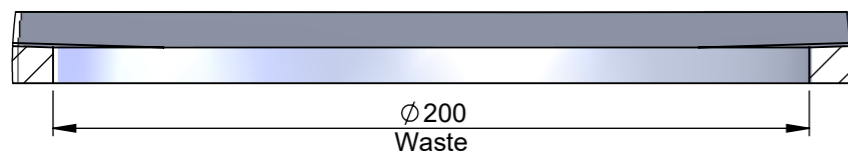
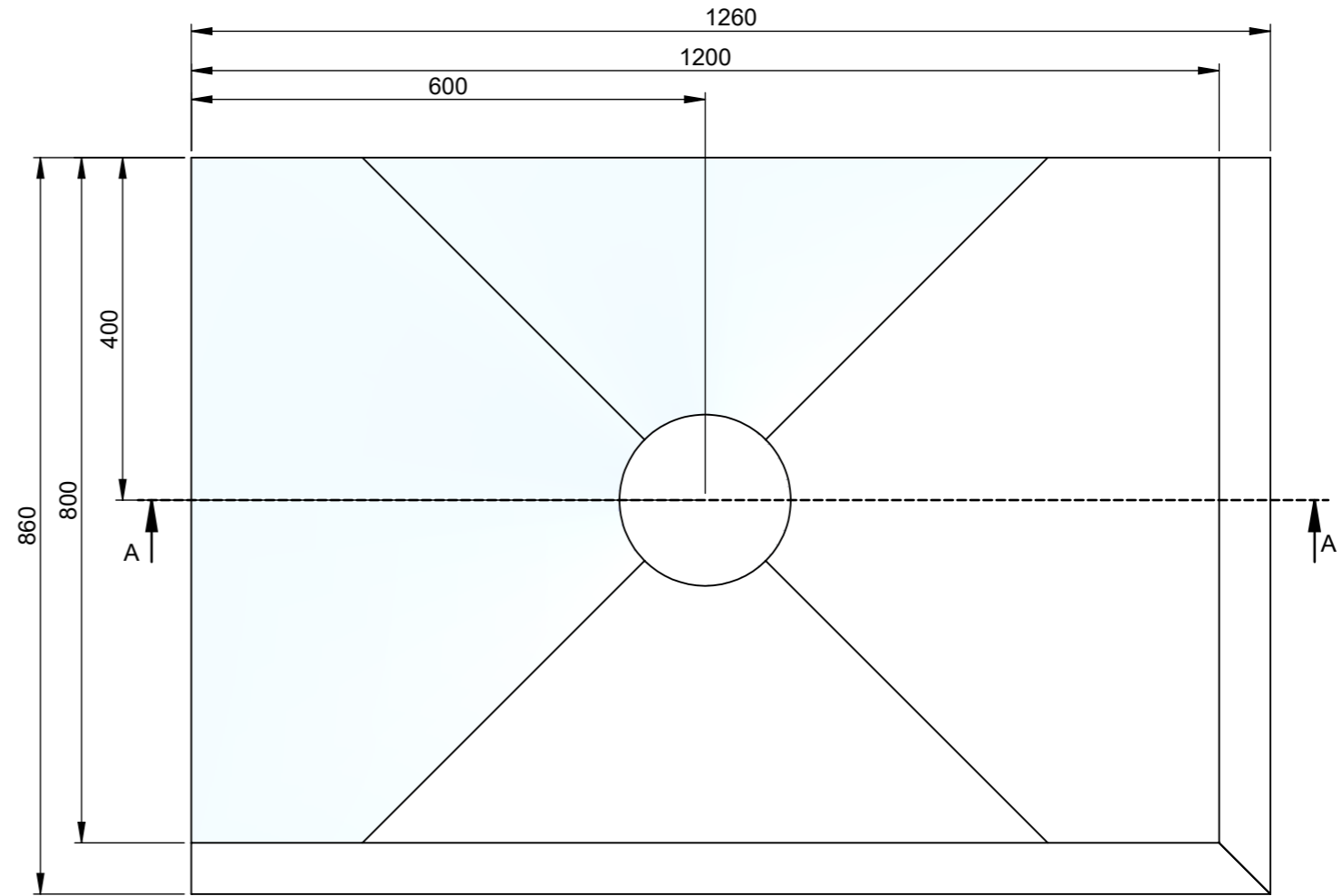
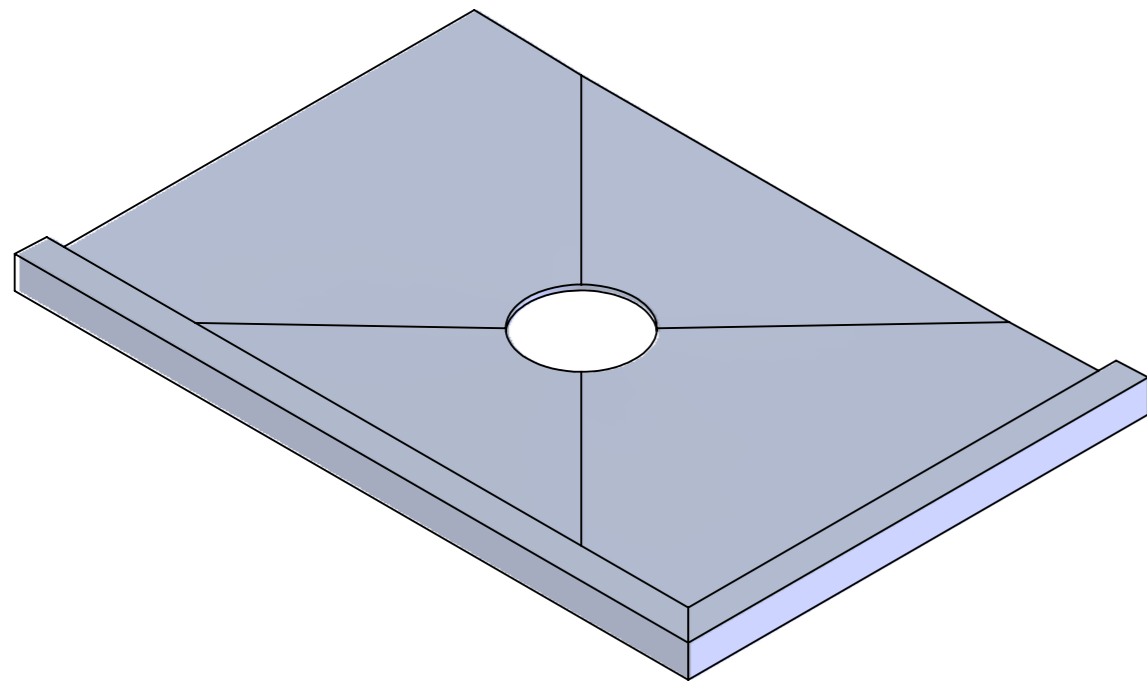




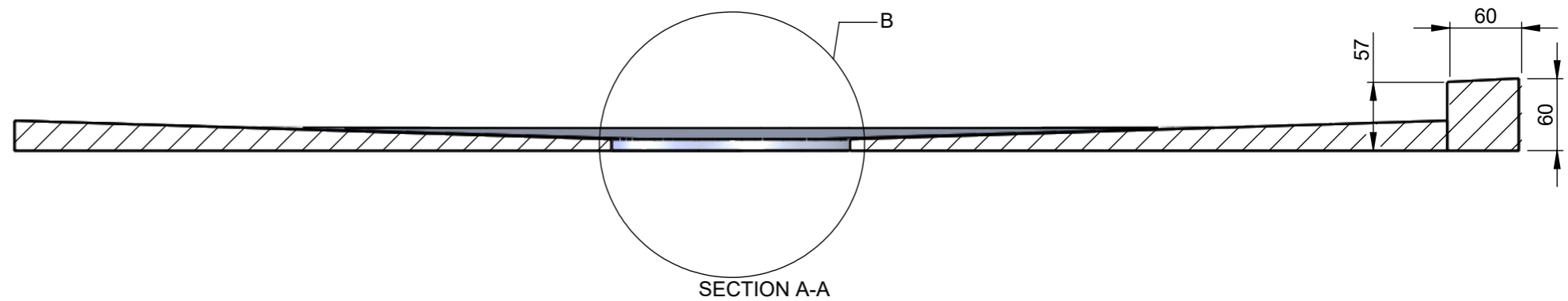
DETAIL B

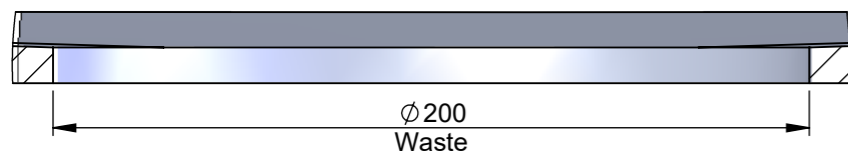
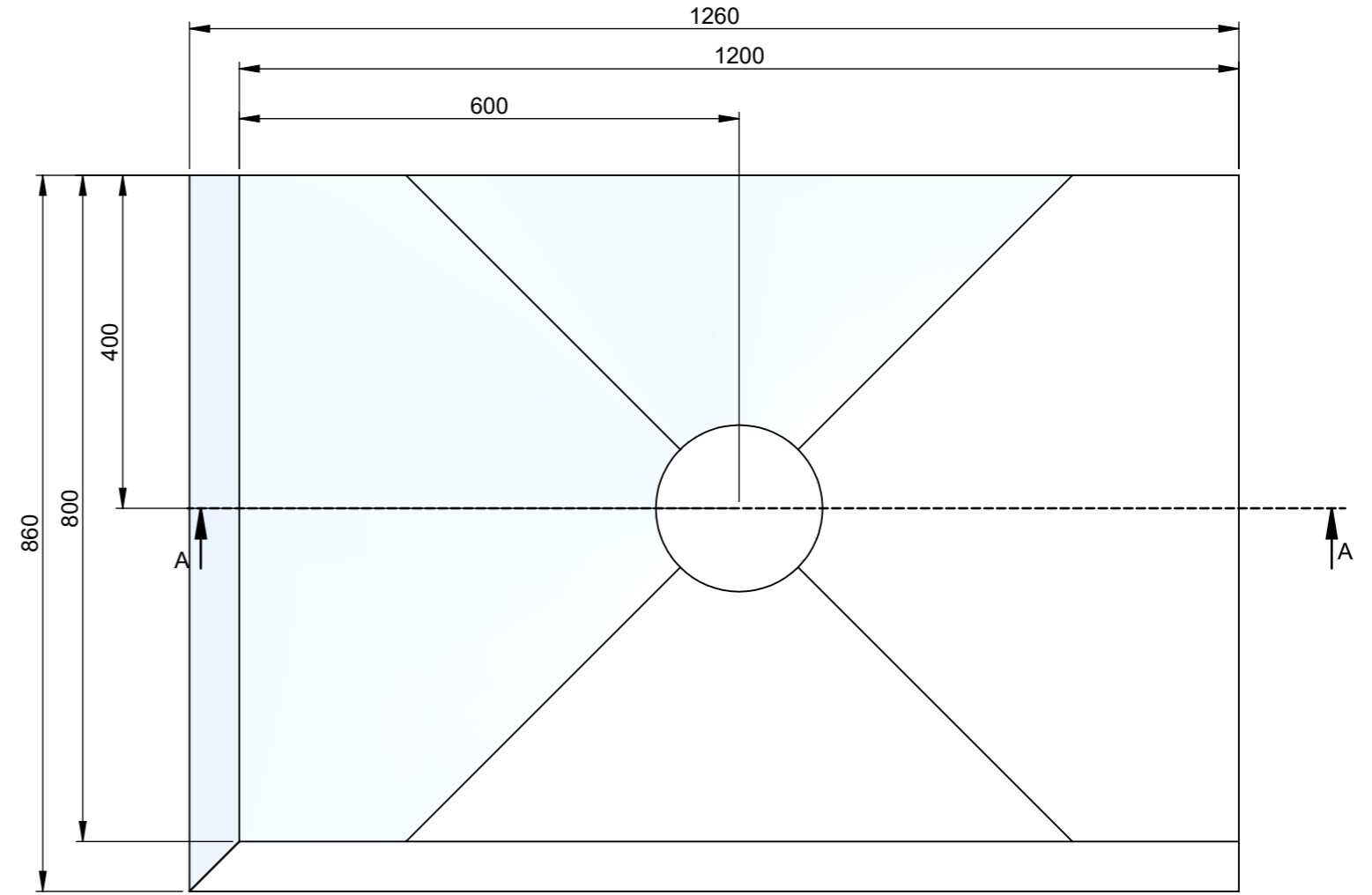
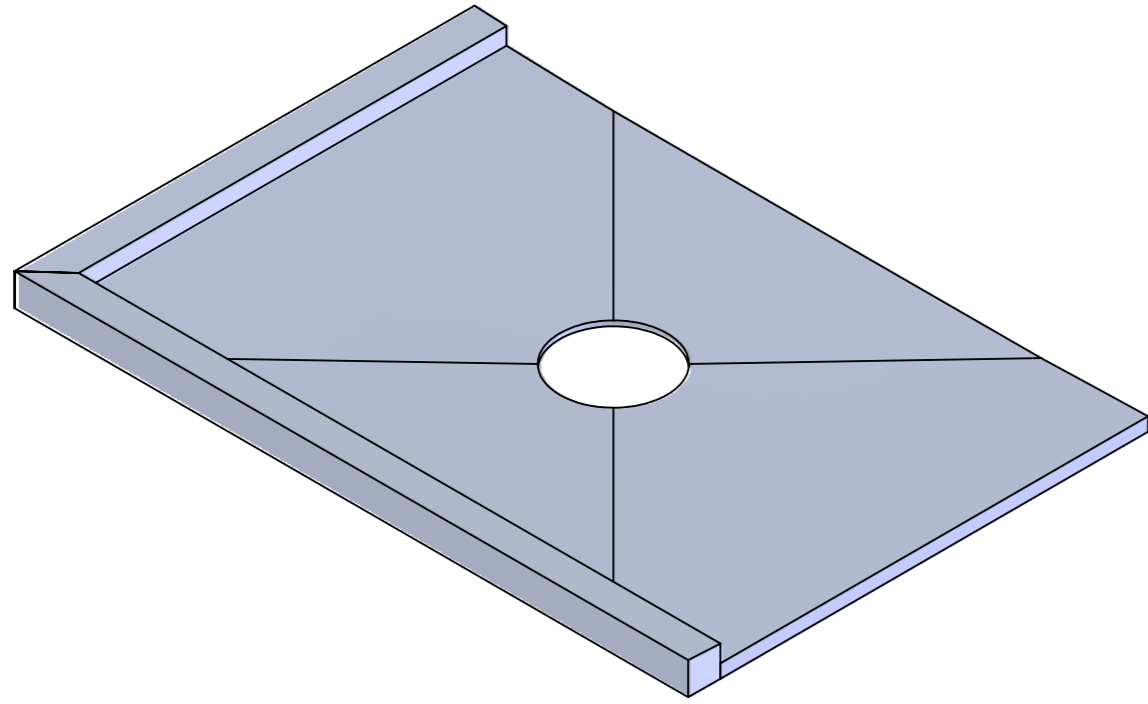


SECTION A-A

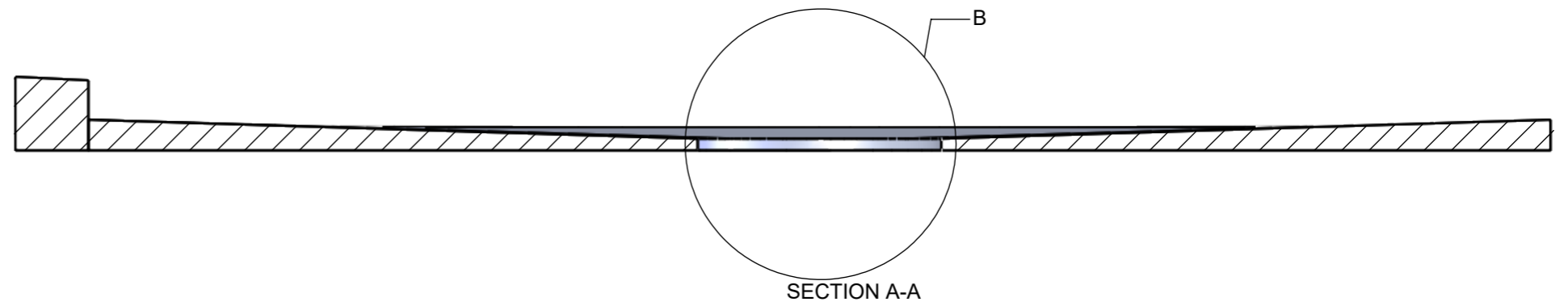


DETAIL B

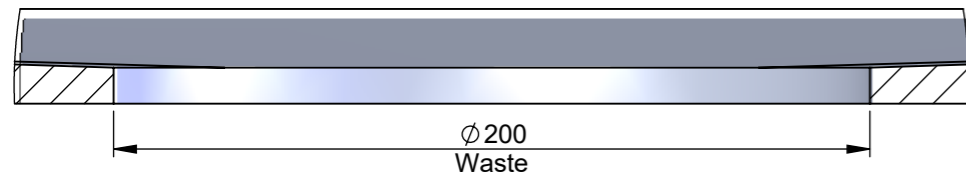
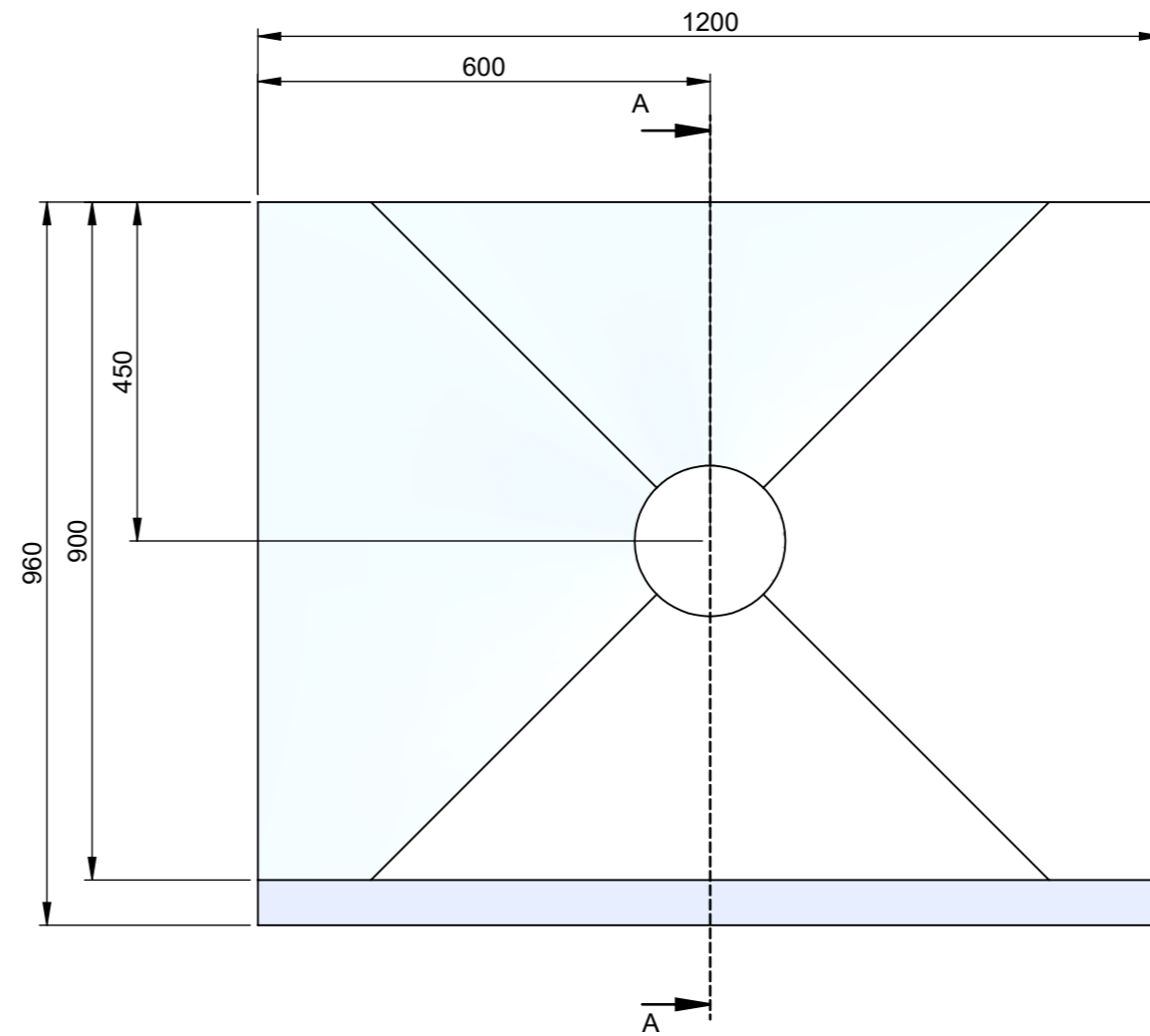
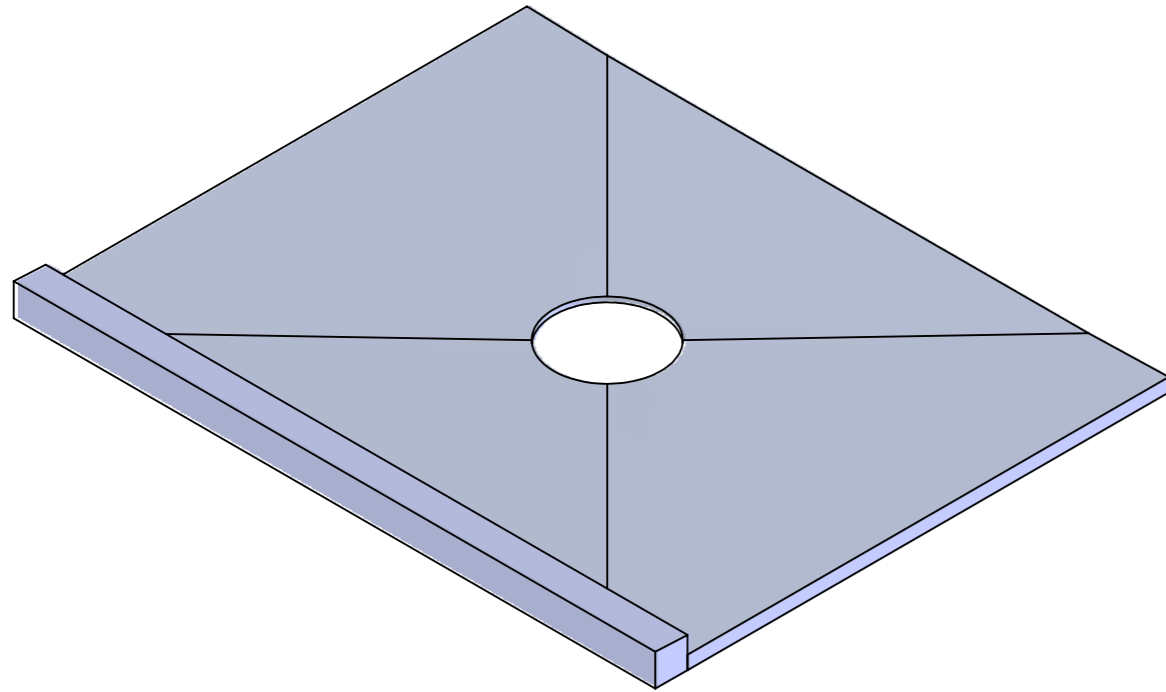




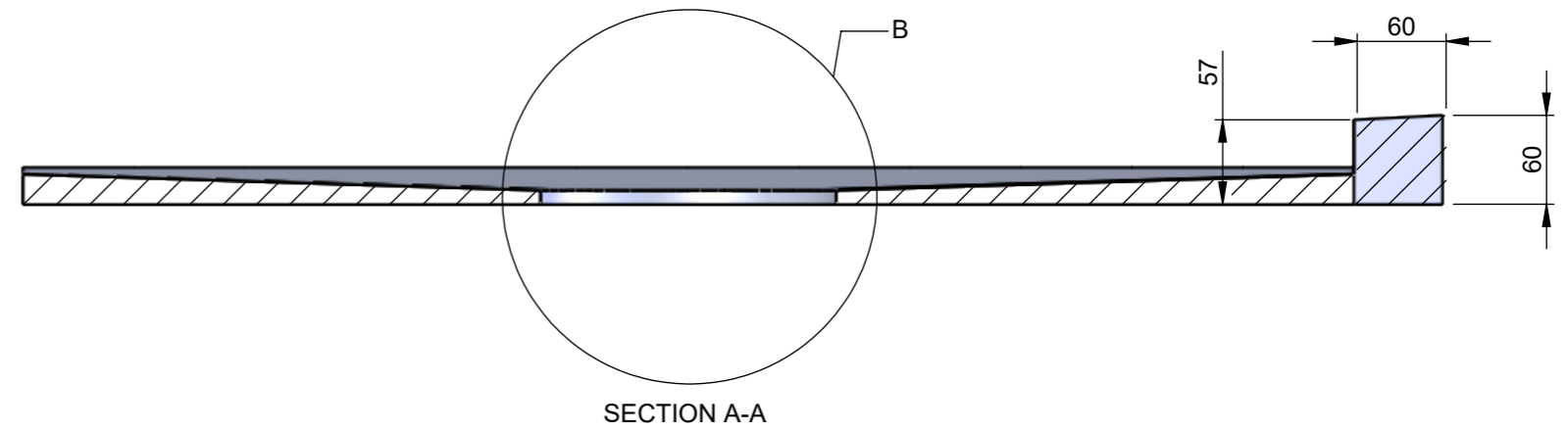
DETAIL B



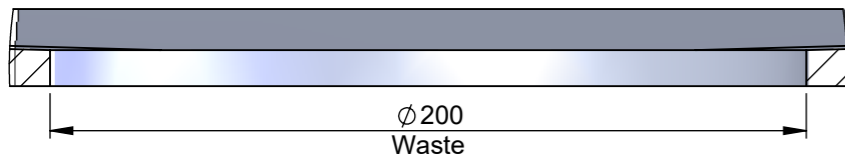
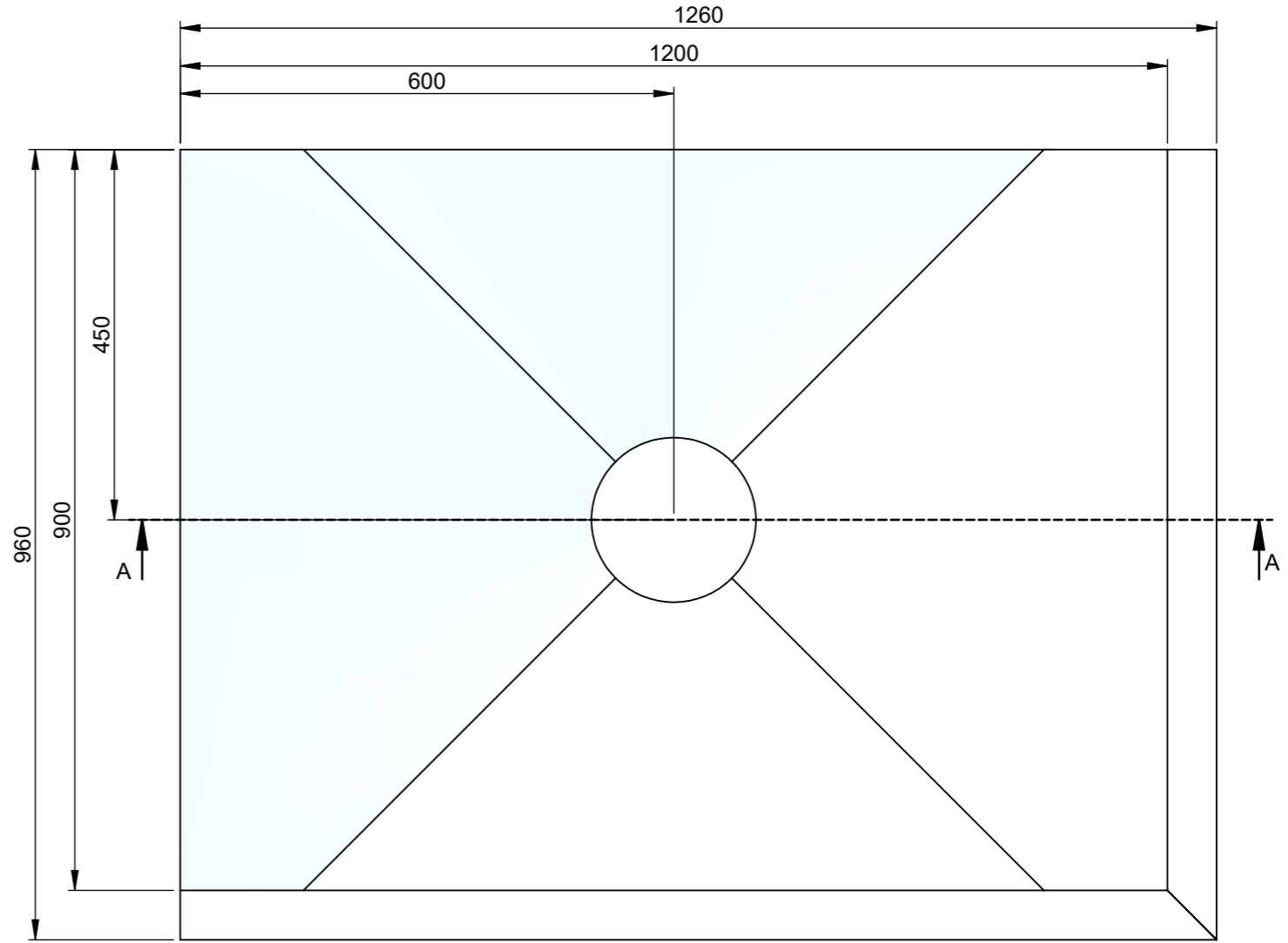
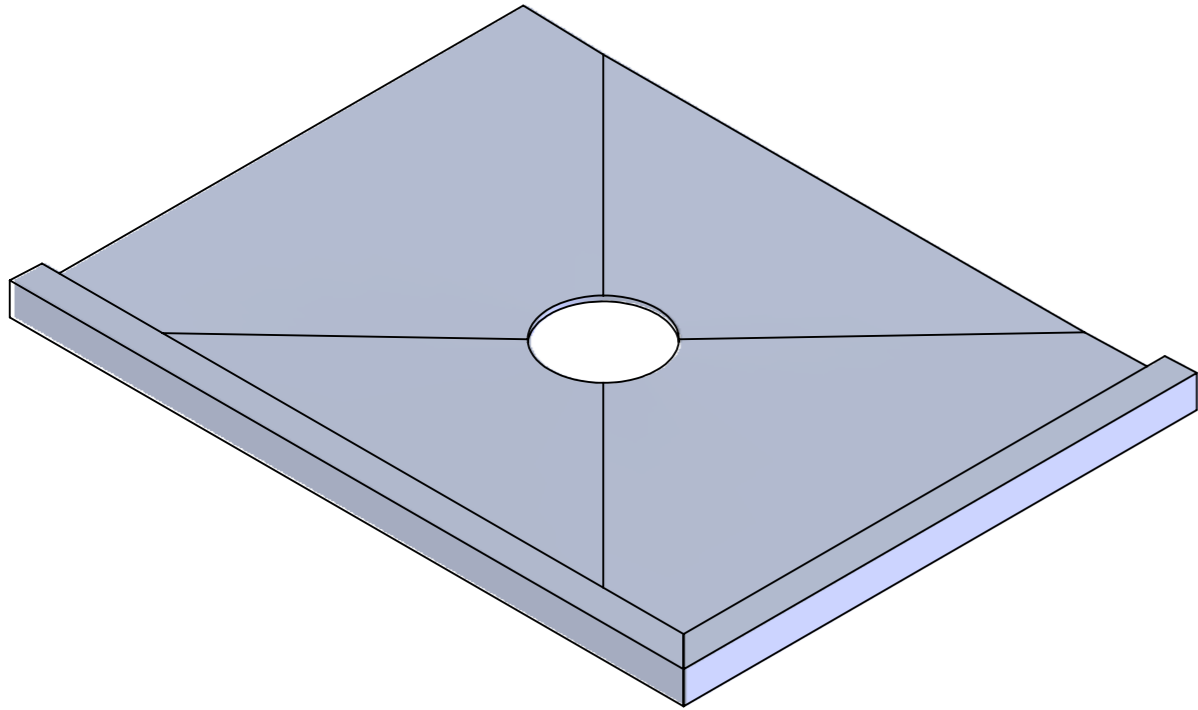
SECTION A-A



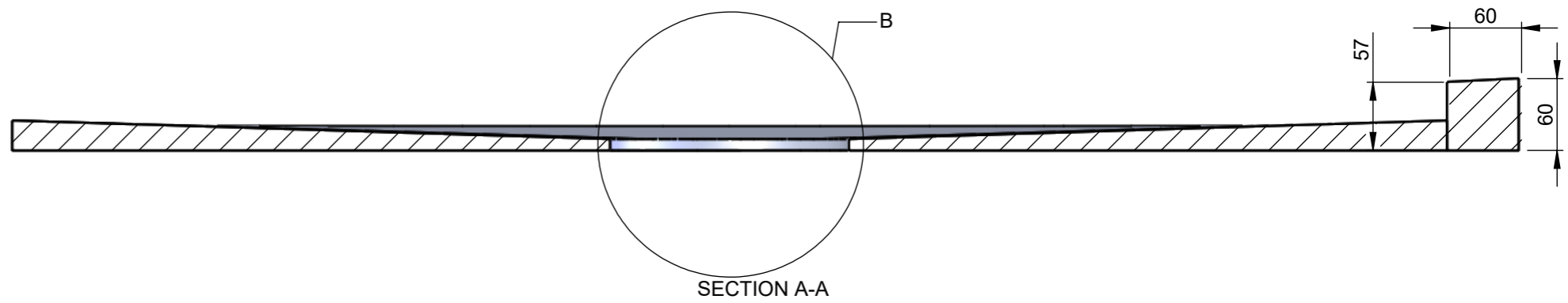
DETAIL B



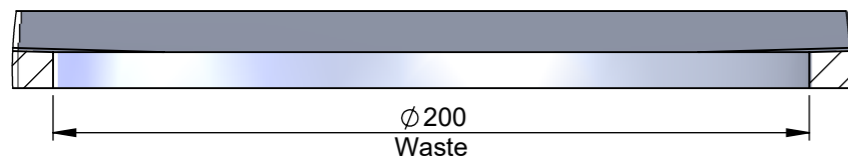
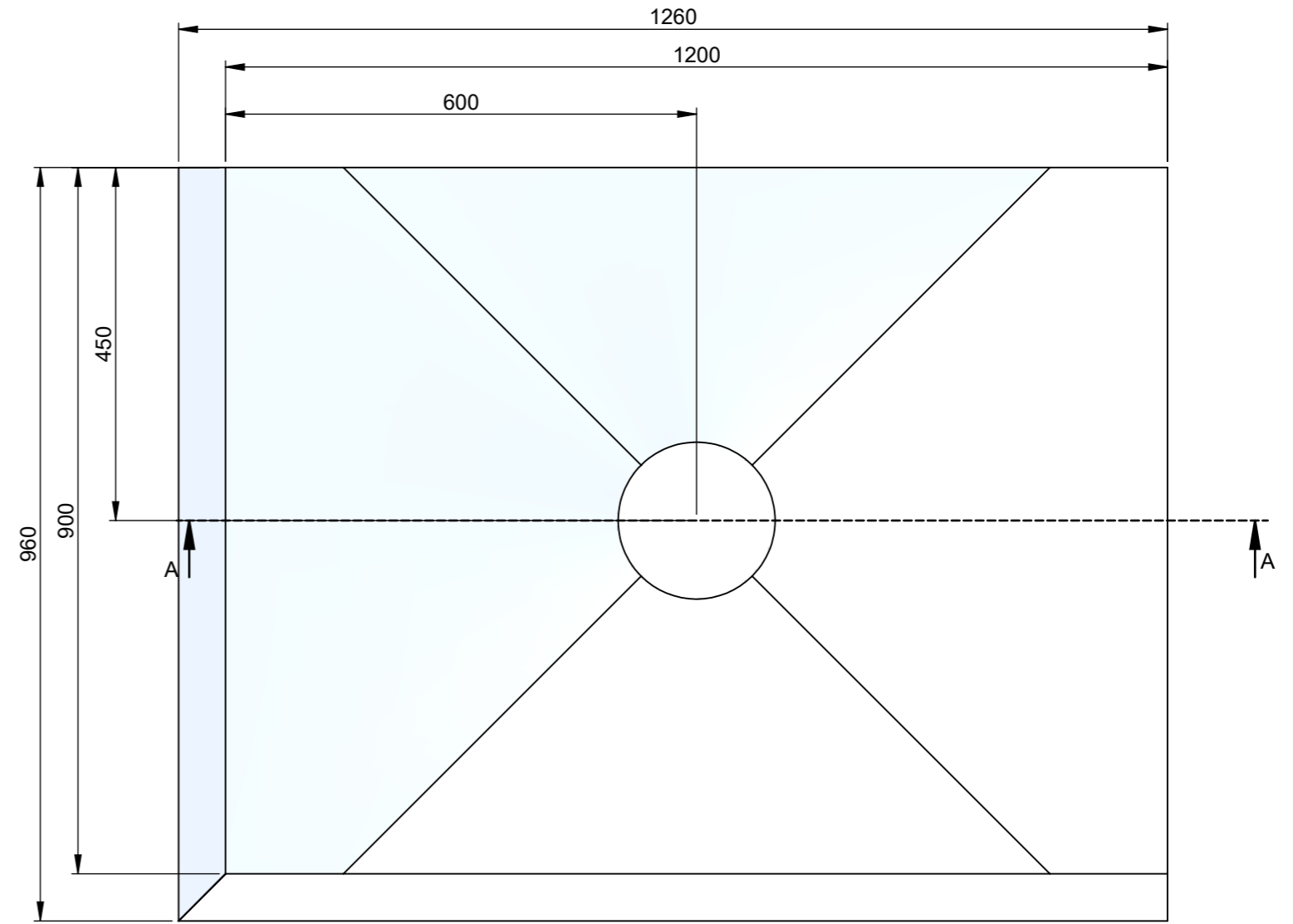
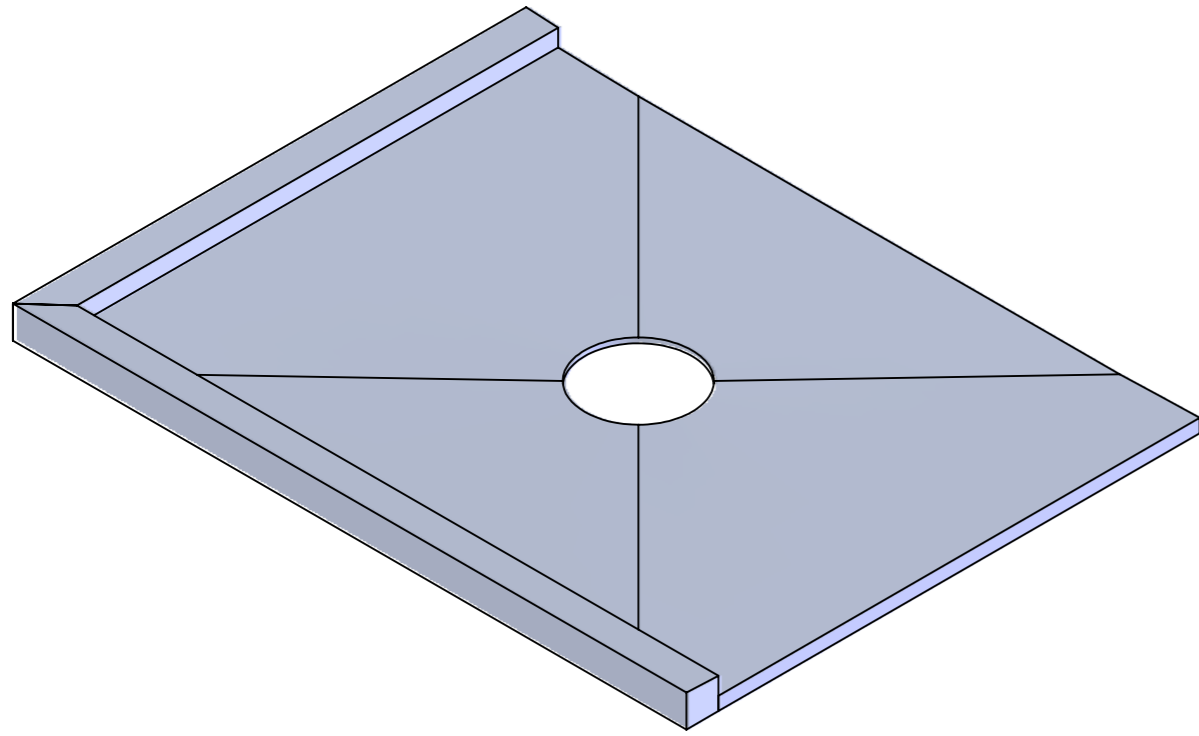
SECTION A-A



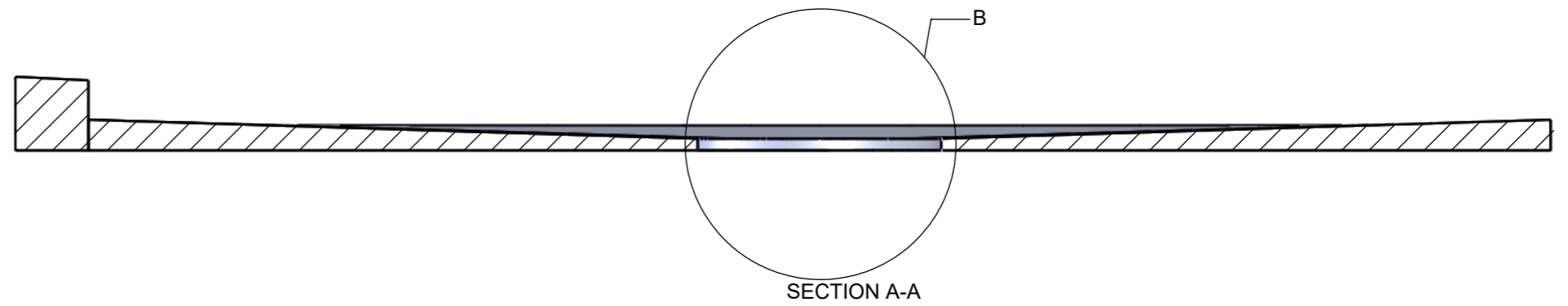
DETAIL B

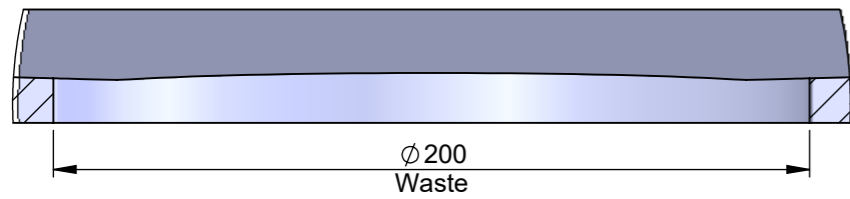
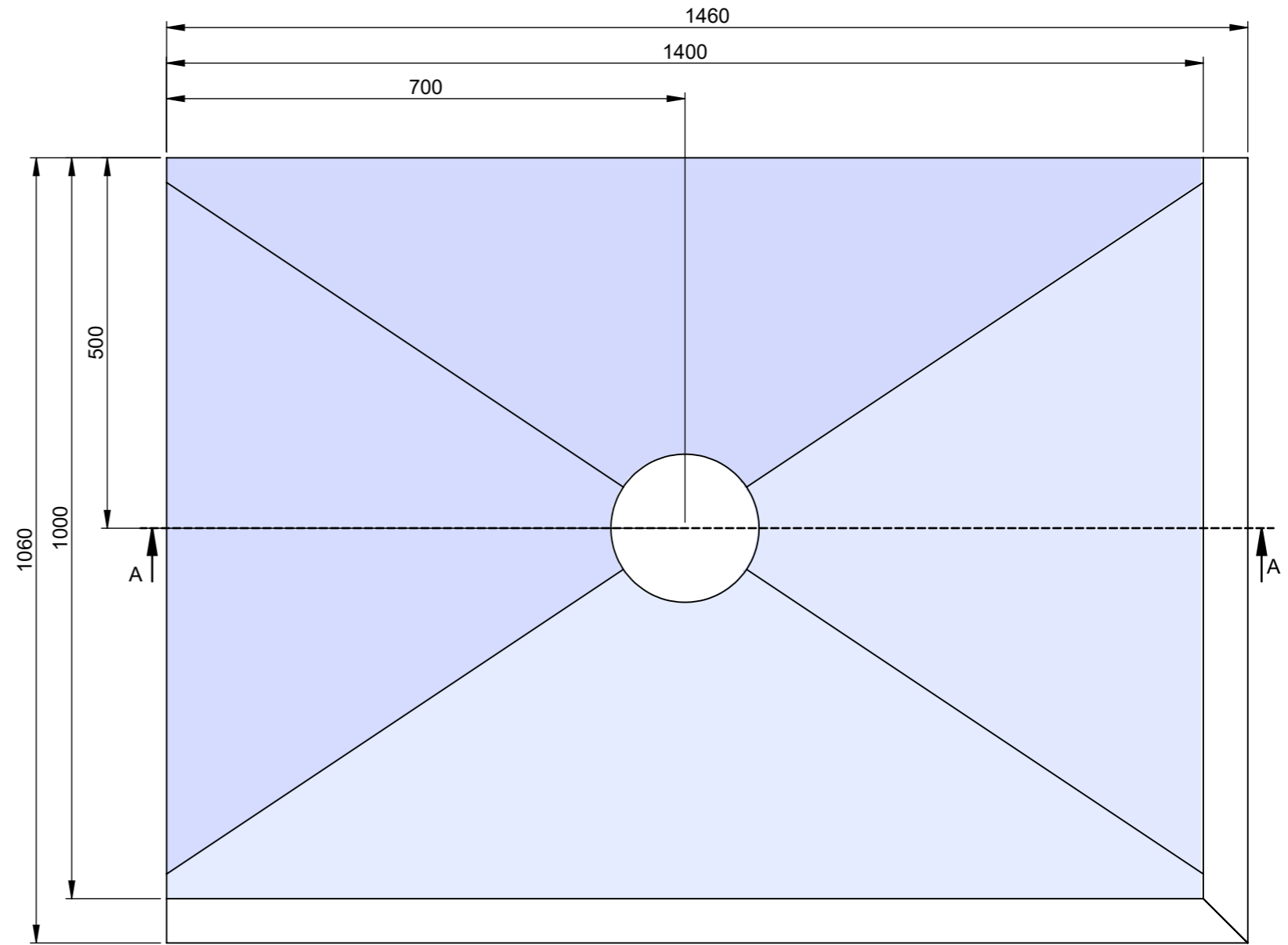
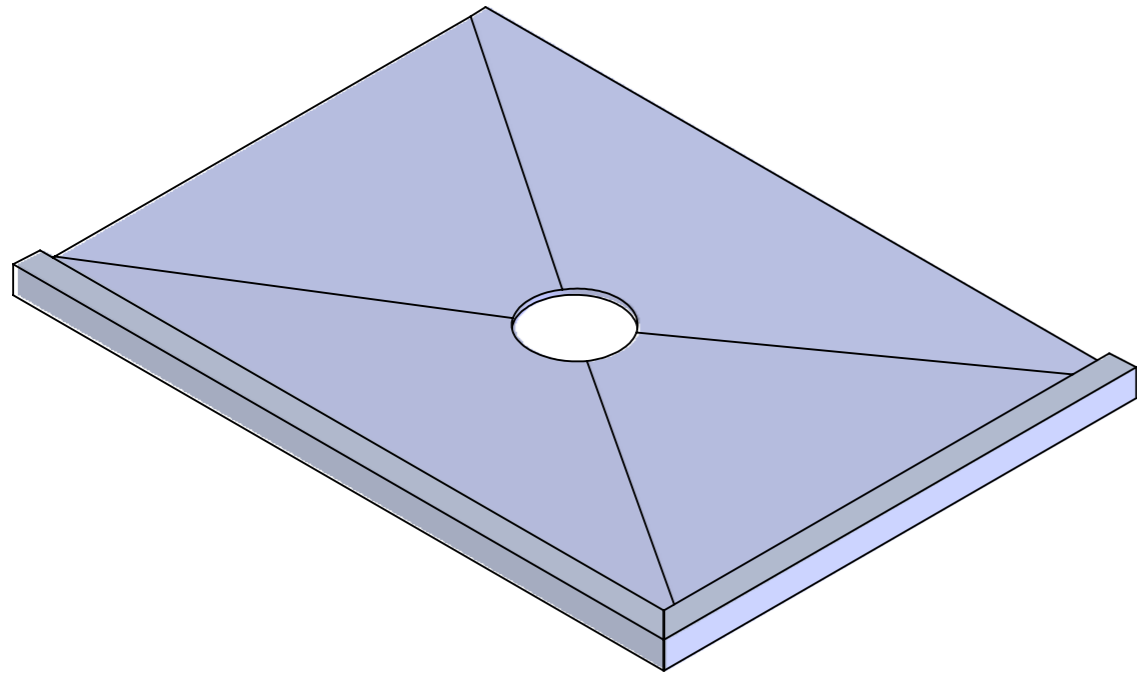


SECTION A-A

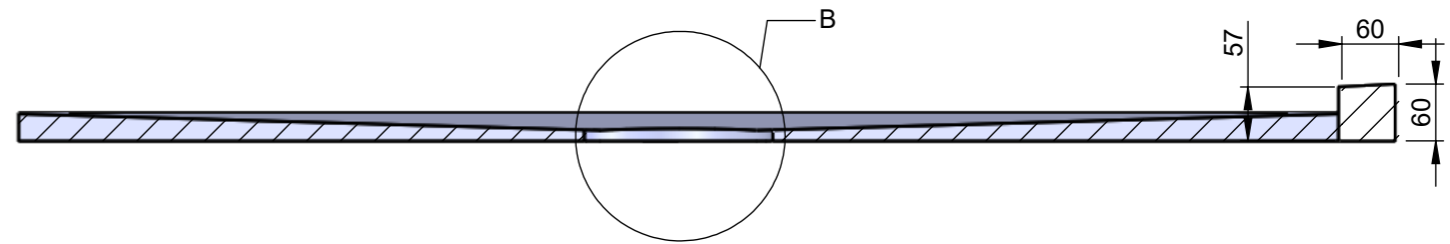


DETAIL B

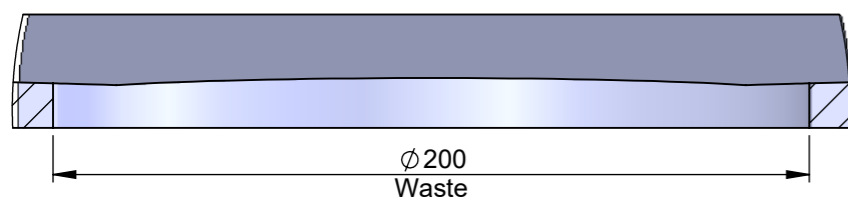
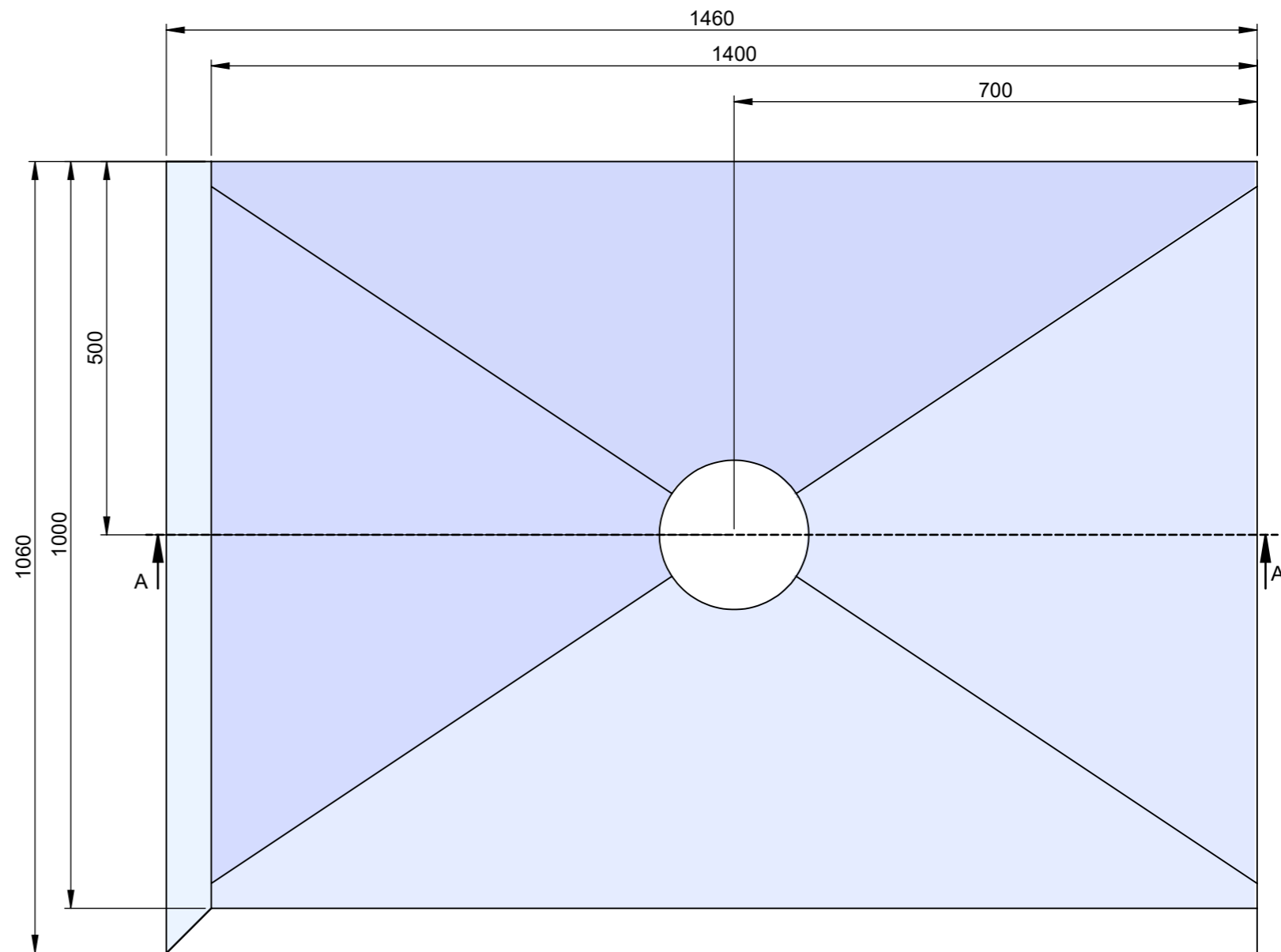
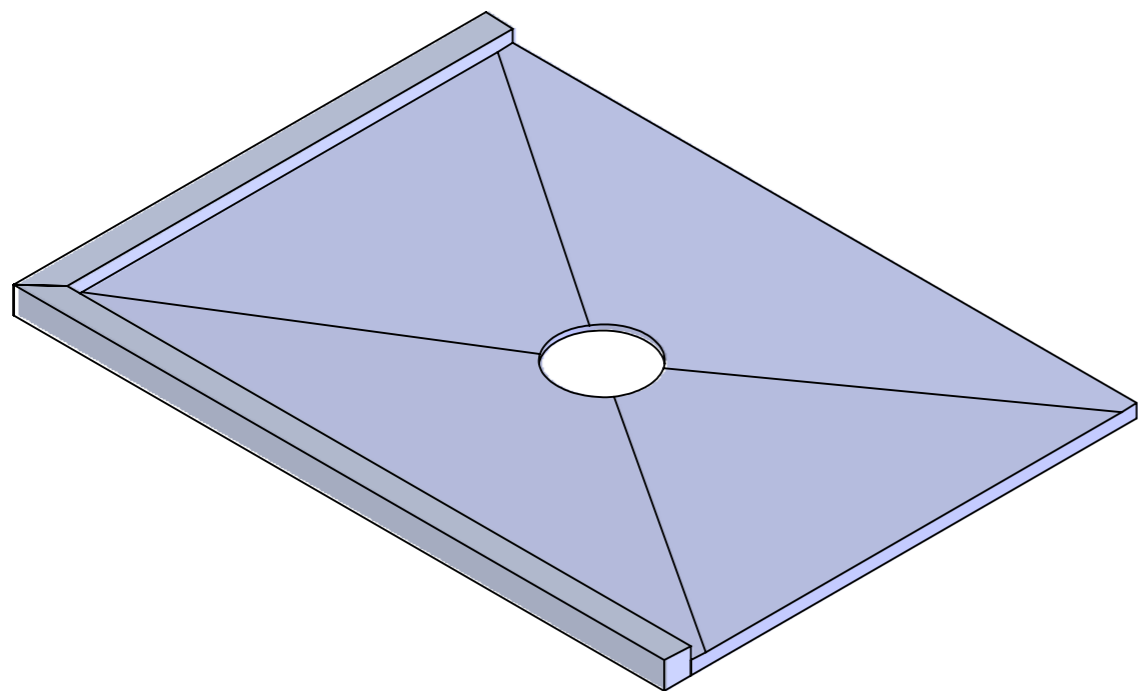




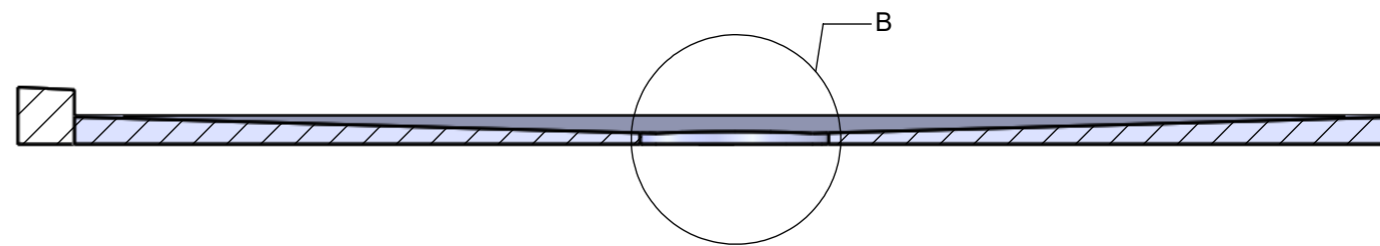
DETAIL B



SECTION A-A
SCALE 1 : 8



DETAIL B



SECTION A-A
SCALE 1 : 8