

Rainfinity
Overhead shower 250 1jet with wall connector
 Finish: **Chrome** Article Number: **26226000**



Description

product features

- consists of: overhead shower, wall connector
- shower head size: 250 mm
- spray type: PowderRain
- projection 273 mm
- middle spray disc: 151 mm
- frame: metal
- material spray disc: aluminium
- spray disc surface: graphite
- shower head vertically inclinable by 10-30°
- maximum flow rate at 3 bar: 19 l/min
- flow rate PowderRain spray (at 3 bar): 19 l/min
- function from: 11,5 l/min
- minimum flow pressure: 1,4 bar
- overhead shower removable for cleaning
- installation: wall
- connection thread G 1/2
- connection dimension: DN15
- not suitable for continuous flow water heaters

Technology



Design awards

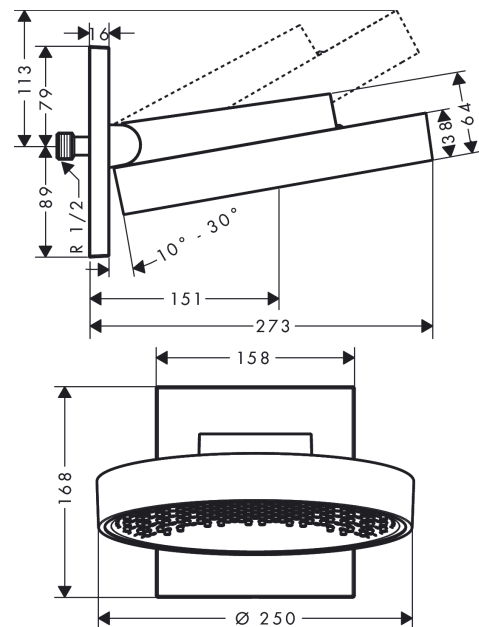


reddot award 2019
best of the best

Product image



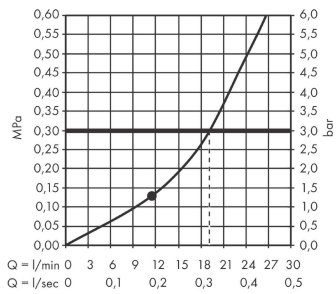
Scale drawing



Rainfinity
Overhead shower 250 1jet with wall connector
 Finish: **Chrome** Article Number: **26226000**



Flowchart

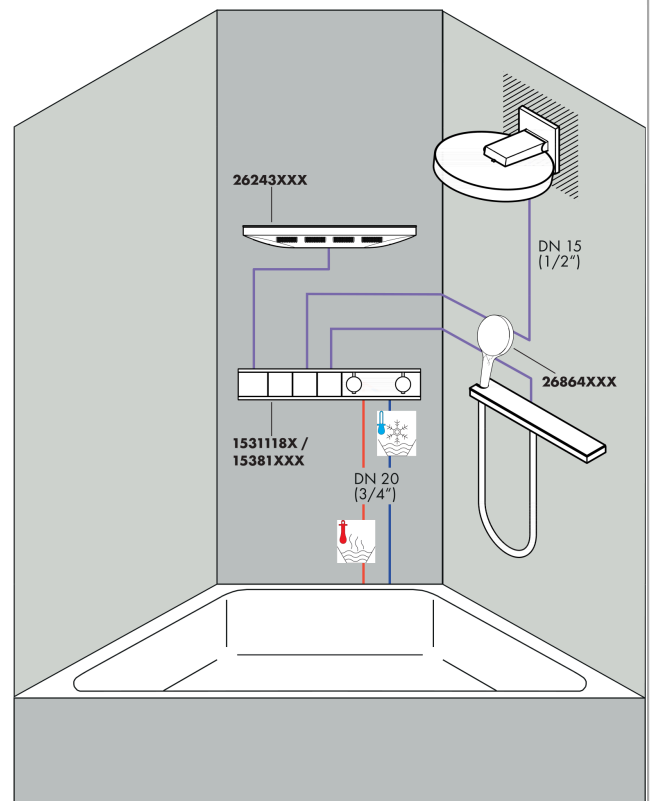
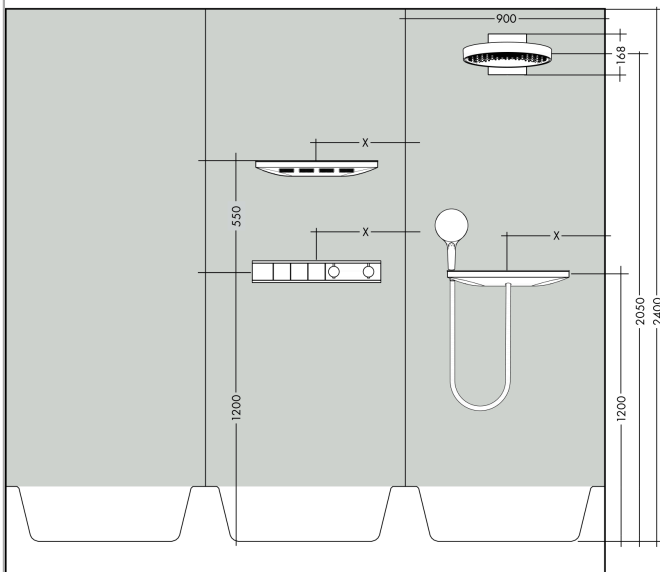


The consumption was measured in combination with the appropriate fittings (thermostat/mixer/in-wall valve) to reflect actual application in practice.

Rainfinity
Overhead shower 250 1jet with wall connector
Finish: **Chrome** Article Number: **26226000**



Installation examples

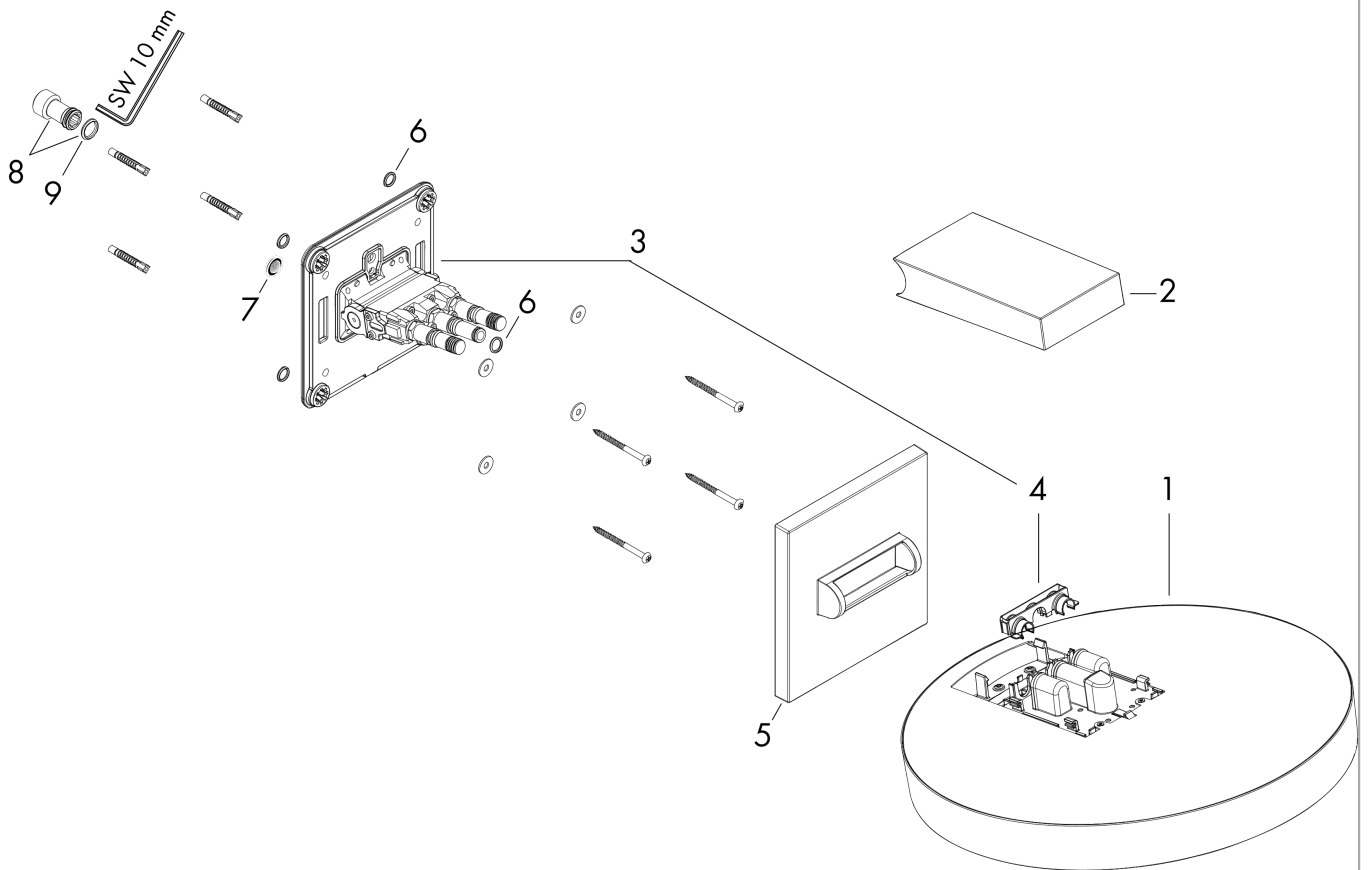


Rainfinity
Overhead shower 250 1jet with wall connector
 Finish: **Chrome** Article Number: **26226000**



Exploded Drawing

Year of production: >07/19



Rainfinity
Overhead shower 250 1jet with wall connector
 Finish: **Chrome** Article Number: **26226000**



Spare part list

Year of production: >07/19

Pos.	Description	Article Number	PC	PU
1	head shower	93664000	19	1
2	cover	93524000	9	1
3	installation unit cpl.	94677000	21	1
4	cramp	93525000	4	1
5	escutcheon	93523000	10	1
6	O-ring 9x2	98119000	1	1
7	filter packing	93774000	3	1
8	connecting thread	94673000	10	1
9	O-ring 13x2,5	98428000	1	1