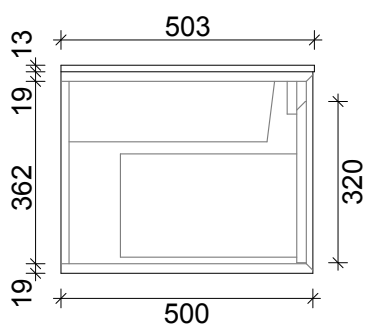
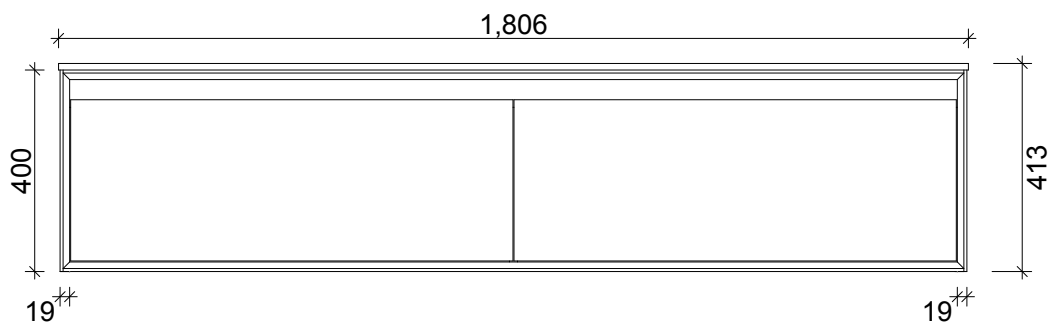
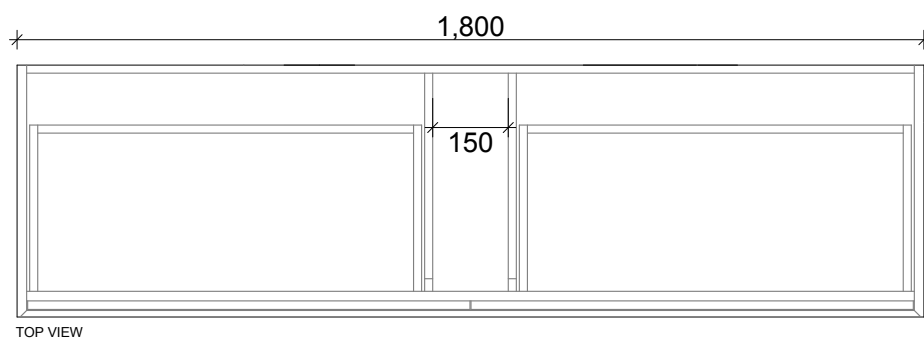


SPECIFICATION SHEET

EDGE 1800 2 DRAW SINGLE BASIN SIDE BY SIDE
WALL HUNG SOLID SURFACE TOP



PRIMO BATHROOMWARE

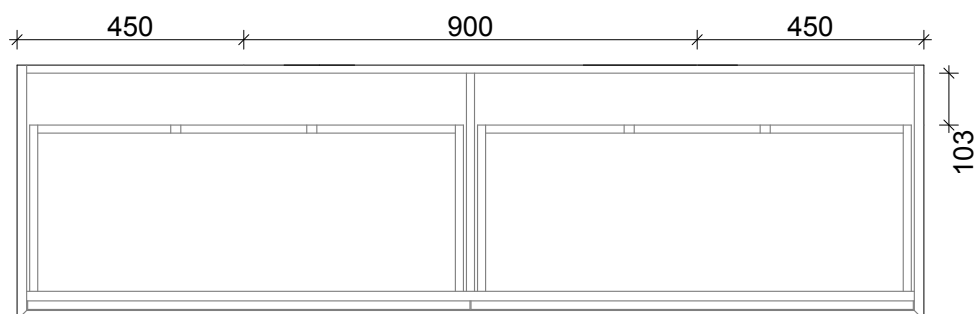
3 EDISON PLACE

(03) 384-2471

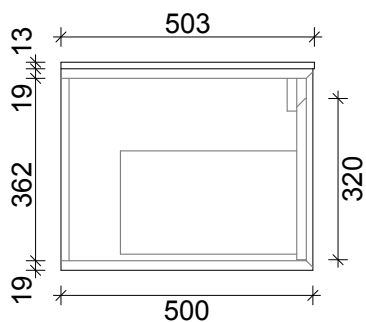
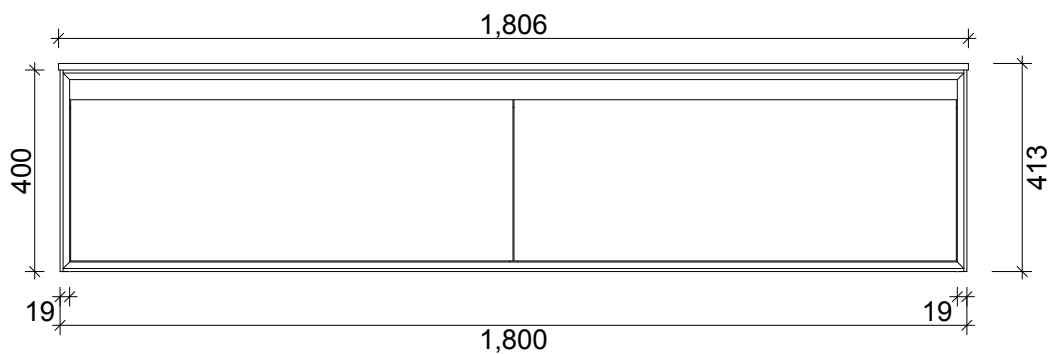
EMAIL: enquiries@primobathroomware.co.nz

SPECIFICATION SHEET

EDGE 1800 2 DRAW DOUBLE BASIN SIDE BY SIDE
WALL HUNG SOLID SURFACE TOP



TOP VIEW



PRIMO BATHROOMWARE

3 EDISON PLACE

(03) 384-2471

EMAIL: enquiries@primobathroomware.co.nz