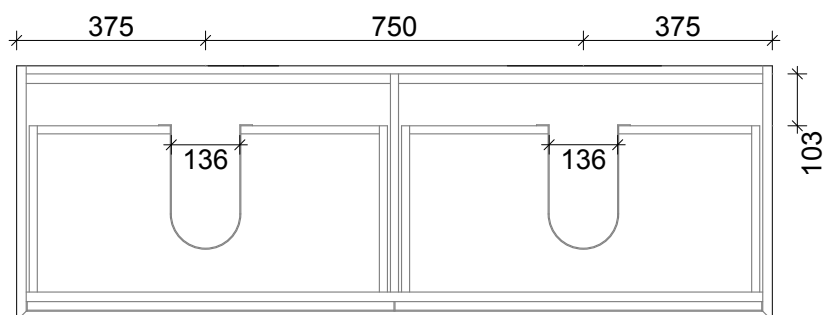
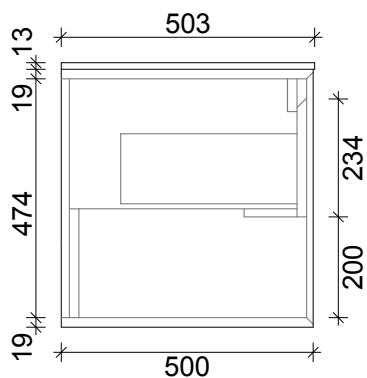
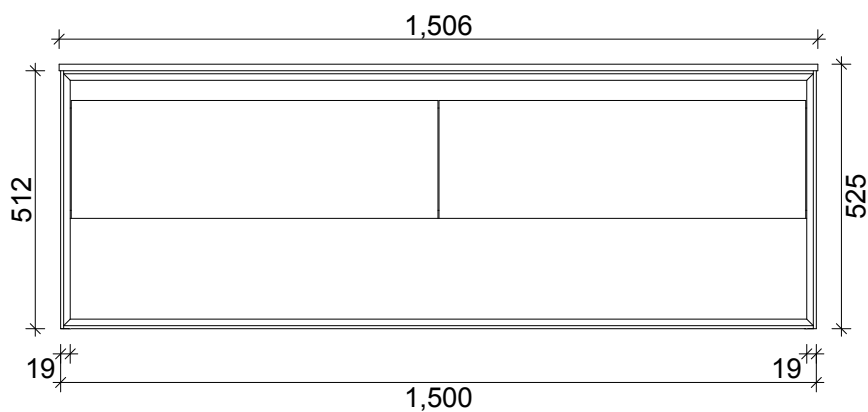


# SPECIFICATION SHEET

EDGE 1500 2 DRAW DOUBLE BASIN OPEN SHELF  
WALL HUNG SOLID SURFACE TOP



TOP VIEW



**PRIMO BATHROOMWARE**

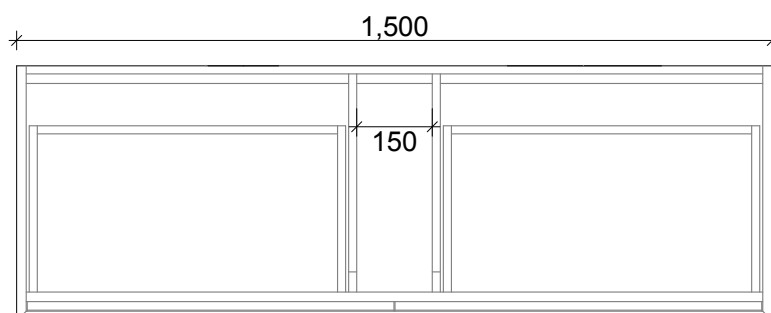
3 EDISON PLACE

(03) 384-2471

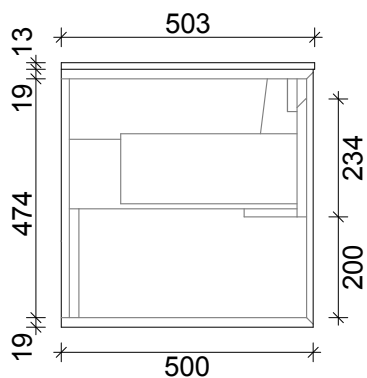
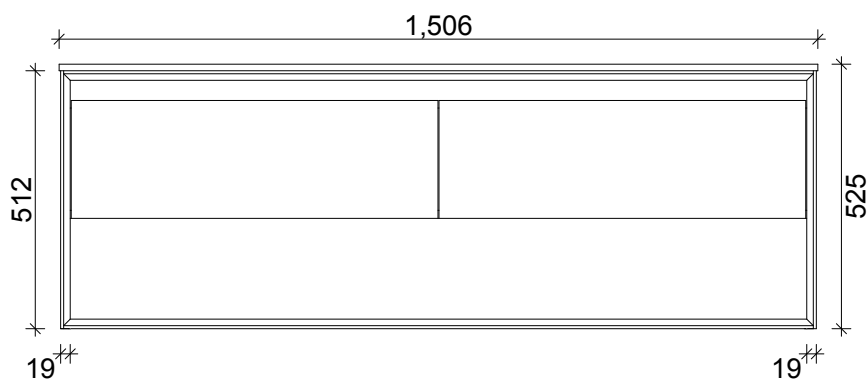
EMAIL: [enquiries@primobathroomware.co.nz](mailto:enquiries@primobathroomware.co.nz)

# SPECIFICATION SHEET

EDGE 1500 2 DRAW SINGLE BASIN OPEN SHELF  
WALL HUNG SOLID SURFACE TOP



TOP VIEW



**PRIMO BATHROOMWARE**

3 EDISON PLACE

(03) 384-2471

EMAIL: [enquiries@primobathroomware.co.nz](mailto:enquiries@primobathroomware.co.nz)