

# SD4

Pure Resonance Audio SD4 SuperDispersion Ceiling Speaker Array Built-In 8 Ohm/70V

## DESCRIPTION:

The SD4 takes ceiling speaker performance to a whole new level. For more than two decades, audio professionals worldwide have chosen the SuperDispersion® (SD) ceiling drop tile speakers for their powerful sound, high performance, and distinctive styling. The SD4 is an innovative speaker concept that meets the demanding needs of audio and system contractors worldwide. The speaker's pyramid design fits into standard 2'x2' or 2'x4' in-ceiling tile grids, providing an amazing 360 degrees of hemispherical sound. SD4 speakers are an economically priced solution that are quick and easy to install, making them an excellent overall value. SD4 ceiling speaker array systems are ideal for classroom, conference rooms, training rooms, teleconferencing, churches, retail spaces, restaurants, and much more.

## FEATURES:

- SuperDispersion® 360° x 180° omnidirectional coverage
- Engineered for voice, paging and music applications
- Infinite-baffle in-ceiling speaker drops into standard 2x2 ceiling tile openings
- Powerful – 160 Watts at 8 Ohms, 64 Watts at 70 Volts
- 4 - 6.5" High compliance aluminum woofers with ported bass response and high-frequency dome tweeters
- Uniquely designed fire retardant ABS housing may be painted to match any décor
- Impedance: 8 ohms nominal with built-in 70 Volts (4, 8, 16, 32, 64 watt taps), easily adjustable by rotating switch
- Metal Backbox that is acoustically engineered and sealed for maximum sonic performance
- Safety cable kit included



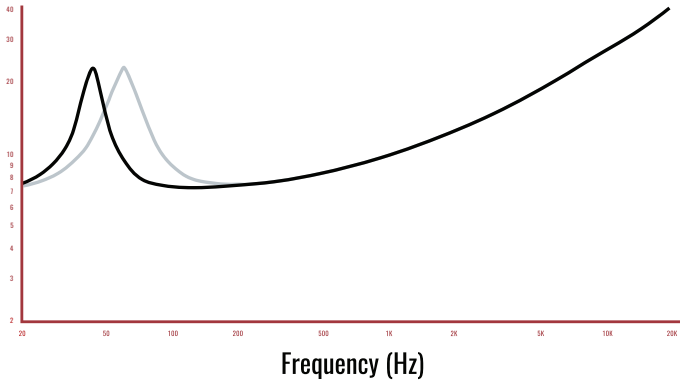
## PRODUCT SPECIFICATIONS:

<b>Power Handling</b>	160 Watts
<b>Frequency Response</b>	35 Hz - 20 kHz
<b>Sensitivity</b>	92dB (half space)
<b>Impedance (Built-in)</b>	8 Ohms with 70 Volt transformer
<b>70 Volt Transformer Taps</b>	4, 8, 16, 32, 64 Watts; 8 Ohm Bypass
<b>Dispersion</b>	180 x 360 degrees (hemispherical)
<b>Woofers</b>	Aluminum
<b>Driver Complement</b>	Array of four full-range 6.5 inch drivers
<b>Dimensions (H x W x D)</b>	23.75 x 23.75 x 5.75" (603 x 603 x 146 mm)
<b>Shipping Dimensions (H x W x D)</b>	28 x 28 x 9.25" (711 x 711 x 235 mm)
<b>Net Weight</b>	25 lbs (11.34 kg)
<b>Shipping Weight</b>	32 lbs (14.5 kg)

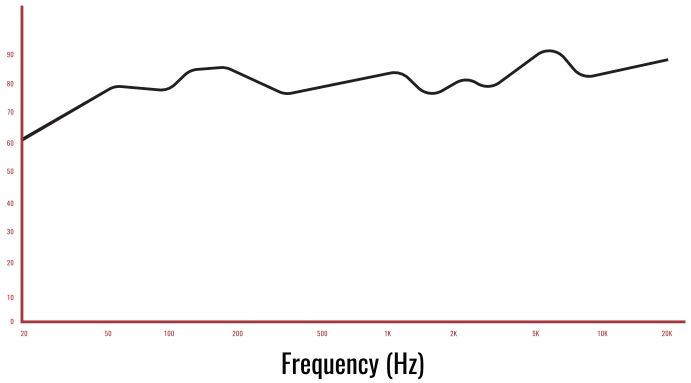


## FREQUENCY:

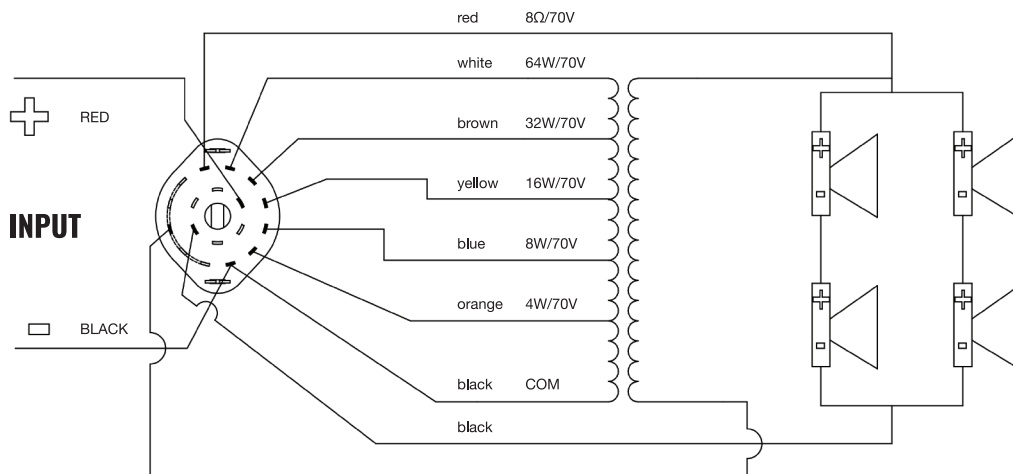
Impedance vs. Frequency



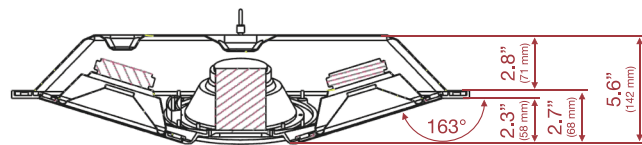
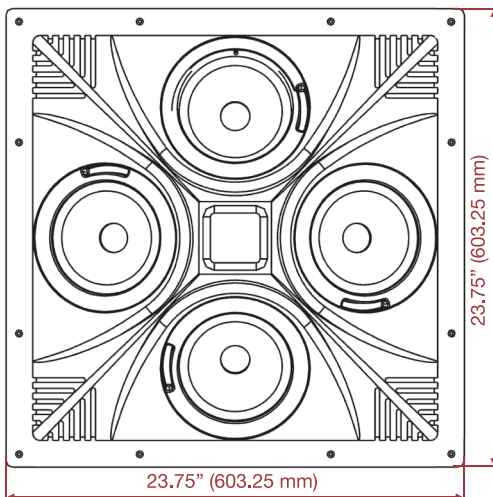
SPL vs. Frequency



## WIRING:



## DIMENSIONS:



Specifications may change without notice.