



PURERESONANCEAUDIO®

S3 3" MICRO SURFACE MOUNT LOUDSPEAKER

INSTALLATION AND OPERATION MANUAL



Caution: Please read this manual carefully before operating.
Damage caused by misuse is not covered by the warranty.

INTRODUCTION

DESCRIPTION

The Pure Resonance Audio S3 3" micro surface mount loudspeaker is perfect for commercial audio applications where quality sound and compact size matter. Built to last, the S3 surface mount loudspeaker features a strong ABS enclosure and infinitely adjustable ball-joint mount. This compact wall mount speaker provides impressive audio performance, making it ideal for use as a surface mount satellite speaker for everything from small restaurants to large scale distributed commercial audio applications.

FEATURES

- Paper cone woofer provides more natural sound reproduction and expansive soundstage
- Phoenix-style connector ensures a perfect connection
- Integrated ball-joint for screen tilt, pan, and rotation adjustment
- Rugged ABS enclosure delivers long-lasting performance and durability
- Seamlessly fits into any space

SPECIFICATIONS


Woofer	2.75" Paper Cone
Frequency Response (± 3 dB)	150Hz - 20kHz
RMS Power	5W
Sensitivity	85+/-3dB
70V Transformer	0.6W, 1.25W, 2.5W, 5W (Do not use the N/C setting)
Attachment	Bracket/Screw
Dimensions (H x W x D)	3.7" (94 mm) x 3.26" (83 mm) x 4.64" (118 mm)
Housing Material	ABS


SAFETY PRECAUTIONS

- Be sure to read the instructions in this section carefully before use. The included conventions of safety symbols and messages are regarded as very important precautions.
- We recommend you keep this instruction manual handy for future reference.

SAFETY SYMBOL AND MESSAGE CONVENTIONS

Safety symbols and messages described below are used in this manual to prevent bodily injury and property damage which could result from mishandling. Before operating this product, read this manual first and understand the safety symbols and messages so you are thoroughly aware of the potential safety risks.

 **WARNING!** Indicates a potentially hazardous situation which, if mishandled, could result in death or serious personal injury.

 **CAUTION!** Indicates a potentially hazardous situation which, if mishandled, could result in moderate or minor personal injury, and/or property damage.

 **WARNING!**

IMPORTANT SAFETY INSTRUCTIONS

*****THIS PRODUCT MUST BE INSTALLED BY A QUALIFIED TECHNICIAN.
THE PROVIDED INSTALLATION HARDWARE MUST BE USED TO INSTALL THIS PRODUCT.*****

Pro Acoustics is not responsible for the structural integrity of the installation. Please make sure a qualified technician installs this product and the building's engineer or architect has approved the equipment and installation.

1. When the speakers are installed on the walls, ensure the wall structure is reliable and that the speakers are firmly attached.
2. Install the speaker in a location that can structurally support the weight of the speaker and its mounting hardware. Otherwise it may result in the unit falling down and causing personal injury.
3. DO NOT use nails, adhesives or other unauthorized devices. Long-term use and vibrations may cause it to fall easily.
4. DO NOT listen to sound at a very high level when you are changing the input source (for example, to tune FM / CD). Installation or removal of cables requires that the power amp / amplifier device radio is turned off.

*No user-serviceable parts inside. Refer all servicing to qualified service personnel.

*WARNING: To prevent injury, this apparatus must be securely attached in accordance with the installation instructions. No naked flame sources – such as candles – should be placed close to the product.

*CAUTION: Changes or modifications not expressly approved by the manufacturer could void the user's warranty.

INSTALLATION & OPERATION GUIDE

SPEAKER PLACEMENT

- If you desire music over a wide area, it is best to have a larger number of speakers playing at low volume, rather than a few speakers playing at high volume. Keep this in mind when designing your system.
- Ideally, you should place the speakers as close to the primary listening area as possible. The perceived volume of the speaker decreases rapidly as it is moved further from the listener.

CONNECTING THE SPEAKER TO YOUR SYSTEM

1. The 4-pin Euroblock plug allows for speaker wire input as well as speaker wire output to easily daisy chain speakers in 70V applications.
2. Determine the locations for the speakers and estimate the length of the additional wire you will need for each speaker.
3. Connect the speaker wires from your amplifier to the surface mount speakers.

IMPORTANT: Be sure not to let any stray “+” and “-” strands touch each other. Touching strands can cause a short circuit that could damage the amplifier.

PLEASE NOTE:

Confirm that you have connected the speaker “+” to the amplifier “+” and the speaker “-” to the amplifier “-”.

4. Turn your amplifier on and test the system with your favorite music.

CARE AND MAINTENANCE

1. MAKE SURE to turn all equipment off before cleaning.
2. The cabinet only needs occasional dusting. Please DO NOT touch the drive units.
3. DO NOT attempt to clean the speakers with chemical solvents as this may damage the paint surface.
4. Clean with a dry cloth.

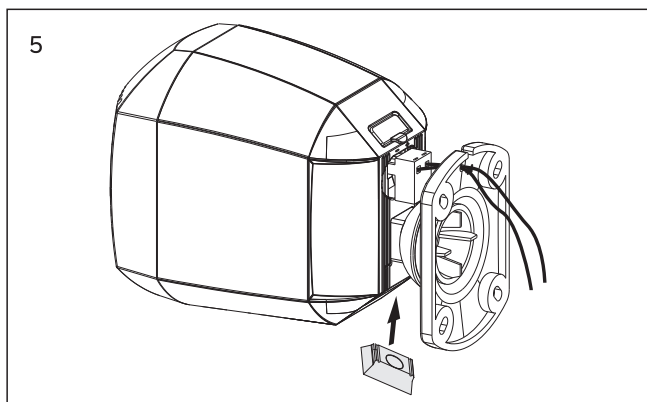
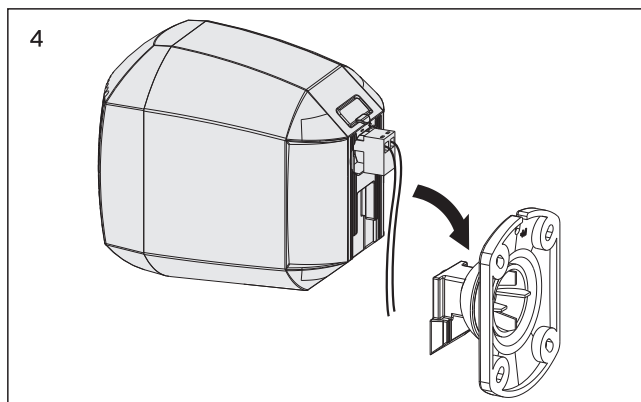
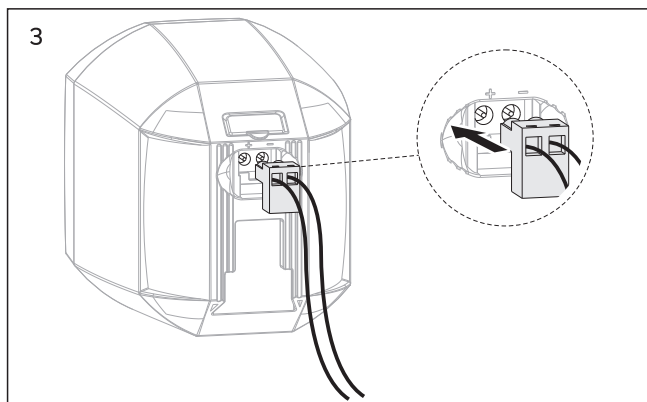
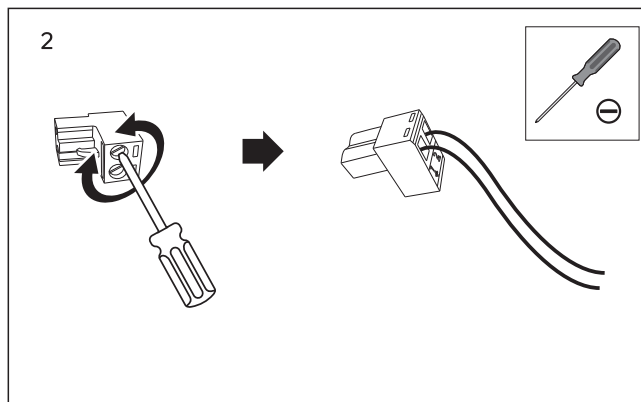
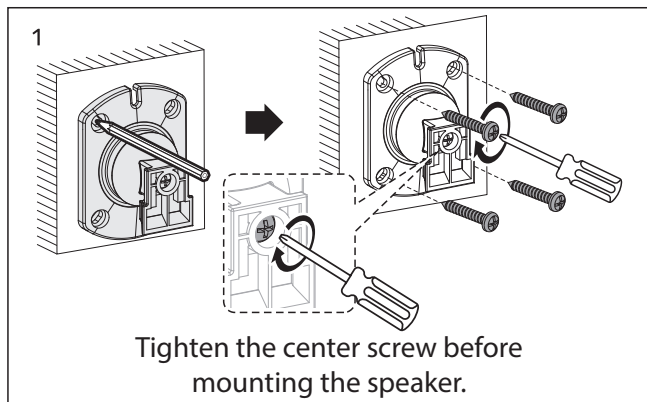
WALL SPEAKER MOUNTING

1. Fix the bracket to the wall using the included mounting hardware.
2. Run the speaker wire.
3. Connect the speaker wire to (+) and (-) inputs. Use the extra (+) and (-) for daisy-chaining.
4. Select the desired tap setting.
5. Attach phoenix connector to the speaker.
6. Attach the speaker to the bracket.
7. Attach the rubber stopper.
8. Your speaker should now be securely installed.

UNDERPOWER VS OVERPOWER

1. Most speaker damage is caused by amplifiers with too little power (wattage).
2. An overdriven amplifier clips the waveforms and leads to speaker distortion.
3. Clipping is usually audible and it may vary from a harsh sound to a fuzzy or unclear sound.
4. If you hear the clipping at high volume levels, turn down the volume until the distortion is gone.
5. Damage caused by operating the speakers at distorted volume levels is not covered by the warranty.

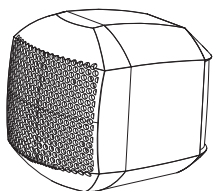
SPEAKER INSTALLATION



PLEASE NOTE:

Check and re-tighten the center screw periodically to ensure it does not loosen due to temperature fluctuations and use.

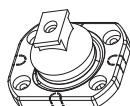
IN THE BOX



Speaker X2



Rubber Stopper X2



Ball-Joint Bracket X2



Phoenix Connector X2



Screws X8



Screws X8



User Manual X1

BASIC SPEAKER INSTALLATION - 70 VOLT SYSTEMS AND APPLICATIONS

Figure 1.

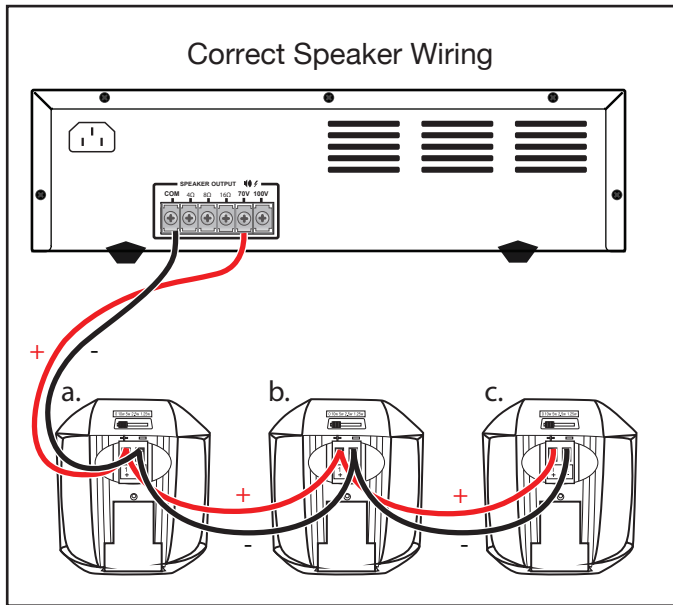
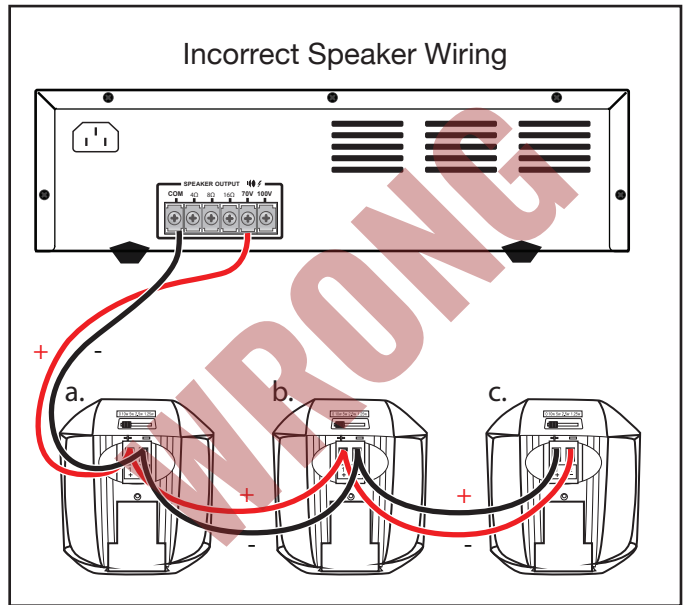


Figure 2.



Be careful not to cross wires when installing your speakers. Wiring should always be negative to negative and positive to positive.
(Figure 2. shows speaker c. incorrectly wired)

BASIC ATTENUATOR/VOLUME CONTROL INSTALLATION

Figure 3.

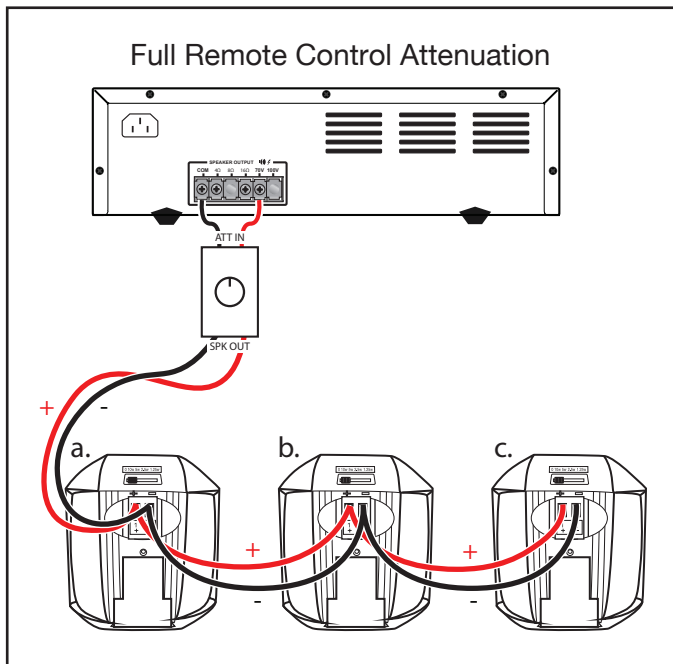
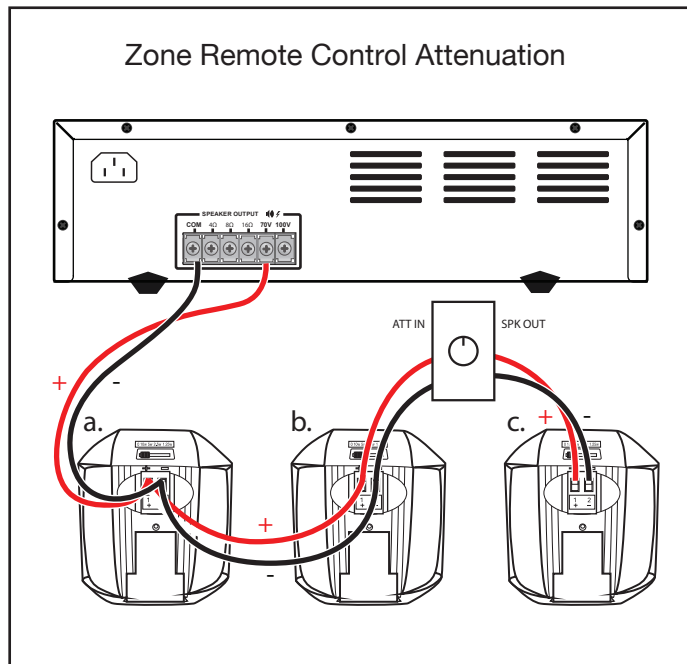


Figure 4.



SERVICE

Ensure the problem is not related to operator error, or system devices that are external to this unit. Information provided in the troubleshooting portion of this manual may help with this process. Once it is certain that the problem is related to the product contact your warranty provider as described in the warranty section of this manual.

LIMITED WARRANTY

PRO ACOUSTICS, LLC. ("PRO ACOUSTICS") warrants this product to the original purchaser to be free from defects in materials and workmanship (subject to the terms set forth below), for the following periods from the date of purchase.

THIS WARRANTY COVERS THE LISTED PRODUCTS AGAINST DEFECTS IN MATERIALS OR WORKMANSHIP FOR THE FOLLOWING PERIOD

Warranty Terms	
Speakers	2 Years
Amplifiers & Electronics	1 Year
Microphones	1 Year
Accessories	1 Year

PRO ACOUSTICS will repair or replace (at PRO ACOUSTICS's option) this product or any defective parts (excluding electronics and amplifiers) in this product.

Your authorized PRO ACOUSTICS dealer will inspect the product and, if your dealer is not equipped to perform the repair of your PRO ACOUSTICS product, they will replace your product or return it to PRO ACOUSTICS for repair, at their discretion. Proof of purchase in the form of a bill of sale or receipted invoice, which is evidence that this product is within the warranty period, must be presented to obtain warranty service.

This warranty is invalid if the factory applied serial number has been altered or removed from this product. This warranty is invalid if this product was not purchased from a PRO ACOUSTICS authorized dealer. Cosmetic damage or damage due to the accident, acts of God, misuse, abuse, negligence, commercial use, or modification of, or to any part of, the product are not covered in this warranty. This warranty does not cover damage due to improper operation, maintenance or installation, or attempted repair by anyone other than PRO ACOUSTICS or a PRO ACOUSTICS dealer which is authorized to do PRO ACOUSTICS warranty work. Any unauthorized repairs will void this warranty.

This warranty does not cover products sold as is.

REPAIRS OR REPLACEMENTS AS PROVIDED UNDER THIS WARRANTY ARE THE EXCLUSIVE REMEDY OF THE CONSUMER/PURCHASER. PRO ACOUSTICS U.S.A. SHALL NOT BE LIABLE FOR ANY INCIDENTAL OR CONSEQUENTIAL DAMAGES FOR BREACH OF ANY EXPRESS OR IMPLIED WARRANTY ON THIS PRODUCT. EXCEPT TO THE EXTENT PROHIBITED BY LAW, THIS WARRANTY IS EXCLUSIVE AND IN LIEU OF ALL OTHER EXPRESS AND IMPLIED WARRANTIES WHATSOEVER, INCLUDING BUT NOT LIMITED TO, THE WARRANTY OF MERCHANTABILITY AND FITNESS FOR A PRACTICAL PURPOSE.

This warranty gives you specific legal rights. You may have other rights which vary from state to state.

Specifications may change without notice.

PURE RESONANCE AUDIO®
(866) 676-7804
sales@pureresonanceaudio.com
www.PureResonanceAudio.com