



PURERESONANCEAUDIO[®]
S12 12" ALL-WEATHER STADIUM SPEAKER

INSTALLATION AND OPERATION MANUAL



Caution: Please read this manual carefully before operating.
Damage caused by misuse is not covered by the warranty.

SAFETY PRECAUTIONS

- Be sure to read the instructions in this section carefully before use. The included conventions of safety symbols and messages are regarded as essential precautions.
- We recommend that you keep this instruction manual handy for future reference.

SAFETY SYMBOL AND MESSAGE CONVENTIONS

Safety symbols and messages described below are used in this manual to prevent bodily injury and property damage that could result from mishandling. Before operating this product, read this manual first and understand the safety symbols and messages so you are thoroughly aware of the potential safety risks.



WARNING!

Indicates a potentially hazardous situation which, if mishandled, could result in death or serious personal injury.



CAUTION!

Indicates a potentially hazardous situation which, if mishandled, could result in moderate or minor personal injury, and/or property damage.



WARNING!

IMPORTANT SAFETY INSTRUCTIONS

*****THIS PRODUCT MUST BE INSTALLED BY A QUALIFIED TECHNICIAN.
THE PROVIDED INSTALLATION HARDWARE MUST BE USED TO INSTALL THIS PRODUCT.*****

Pro Acoustics is not responsible for the structural integrity of the installation. Please ensure that a qualified technician installs this product and that the building's engineer or architect has approved the equipment and installation.

- To prevent injury, this apparatus must be securely attached as per the installation instructions.
- DO NOT install near electricity, smoke, steam, or any heat source such as stoves, radiators, heat registers, amplifiers, or other apparatuses producing heat.
- DO NOT place any naked flame sources, such as candles, close to the product.
- DO ensure that the speaker wire is not damaged when installing. Frayed or unterminated wires can lead to electrical or fire danger.
- DO NOT connect the speaker while your hands are wet, as this may lead to electric shock.
- USE hardware and accessories as indicated by the manufacturer.
- REFER all servicing to qualified service personnel. Servicing is required when the speaker is damaged in any way, does not operate normally, or has been dropped.

*No user-serviceable parts inside. Refer all servicing to qualified service personnel.

*Changes or modifications not expressly approved by the manufacturer could void the user's warranty.



CAUTION!

Although these speakers are designed to withstand the elements, you should take precautions to optimize their long-term performance.

- Keep soil and wood chips from covering the speaker grill. If soil or dust accumulates on the grill, it can be rinsed away with low water pressure.
- Chemicals commonly used outdoors can damage the speaker's rubber elements. Avoid spraying such chemicals onto or near the speaker.
- When the speaker is installed on a wall, ensure the structure can structurally support the weight of the speaker and its mounting hardware and that the speaker is firmly attached.

DESCRIPTION

The Pure Resonance Audio S12 stadium loudspeaker is a 12" 300W full-range speaker that offers better audio quality, more powerful sound, precise speech reproduction, and a wide coverage angle of 90° x 90° compared to the 10" 200W S10 speaker. The IP66-rated S12 speaker ensures dust-tight protection and resistance against direct high-pressure water. With a stainless steel enclosure, fiber-reinforced plastic cover, and a metal grill, this speaker is engineered to withstand harsh environmental conditions. Equipped with a 12" coaxial LF and a 1.5" HF driver, this 2-way outdoor loudspeaker delivers high-output sound, supported by a built-in 300W 70V/100V multi-tap transformer with an 8-ohm bypass. The S12 is perfect for music, paging, and general public address in stadiums, gymnasiums, fairgrounds, theme parks, warehouses, and other outdoor commercial applications.

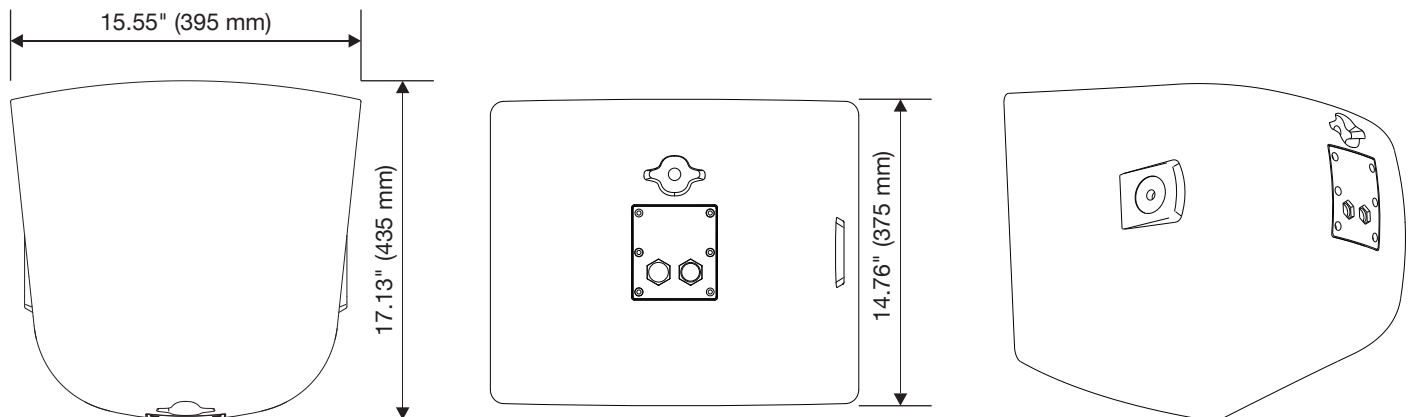
FEATURES

- All-weather construction for long-term reliability in outdoor environments
- Superior sound quality with clear vocal reproduction
- 300 Watt 70 Volt / 100 Volt transformer with 8Ω bypass
- 105 dB Sensitivity provides high-output sound
- 12" Low-frequency driver and 1.5" high-frequency driver
- Highly weatherproof IP66 rated
- Ideal coverage of more than 4,000 square feet
- Direct speech distance of up to 700 feet
- Weather-safe connection with a recessed terminal block and waterproof seal cover
- Fiber-reinforced plastic and stainless steel enclosure with metal grill
- Heavy-duty wall mounting bracket and eyebolt included for secure installation

SPECIFICATIONS

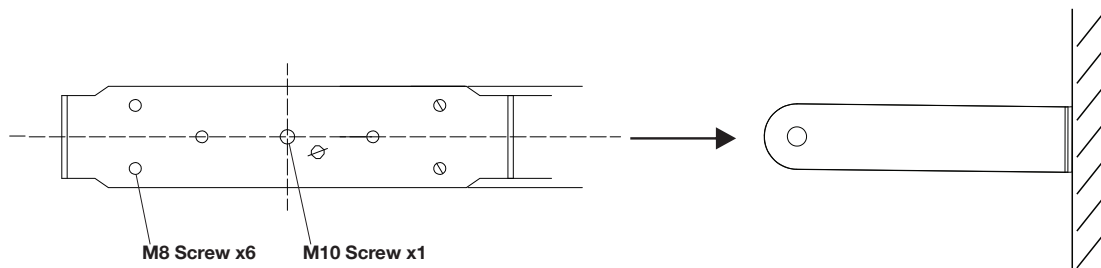
Power Rating	300 Watts RMS; 600 Watts Peak
Frequency Response (± 3 dB)	70Hz - 20kHz
Sensitivity (@ 1w/1m)	105 dB
Max SPL	120 dB
Dispersion	90° x 90°
Impedance	8 Ohms
Transformer Taps	70V: 25W, 37W, 75W, 150W, 300W 100V: 37W, 75W, 150W, 300W 8 Ohm Bypass
Woofers	12" Paper cone with 3" voice coil
Tweeter	1.5" Thermoplastic
Grill	Metal
Material	Fiber-reinforced plastic and stainless steel enclosure
Protection Rating	Weatherproof IP66
Connection	Screw terminal
Mount	Wall mounting bracket and M8 eyebolt supplied
Dimensions (HxWxD)	14.76" (375 mm) x 15.55" (395 mm) x 17.13" (435 mm)
Weight	44.75 lbs (20.3 kg)
Shipping Dimensions (HxWxD)	19.49" (495 mm) x 21.06" (535 mm) x 19.69" (500 mm)
Shipping Weight	47.73 lbs (21.65 kg)

DIMENSIONAL DIAGRAMS



INSTALLATION & OPERATION GUIDE

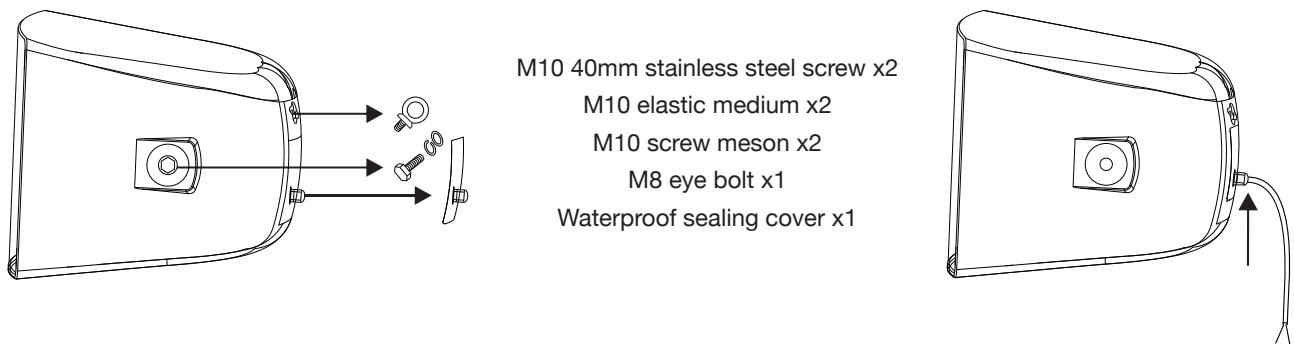
MOUNTING THE BRACKET



CONNECTING THE SPEAKER TO YOUR SYSTEM

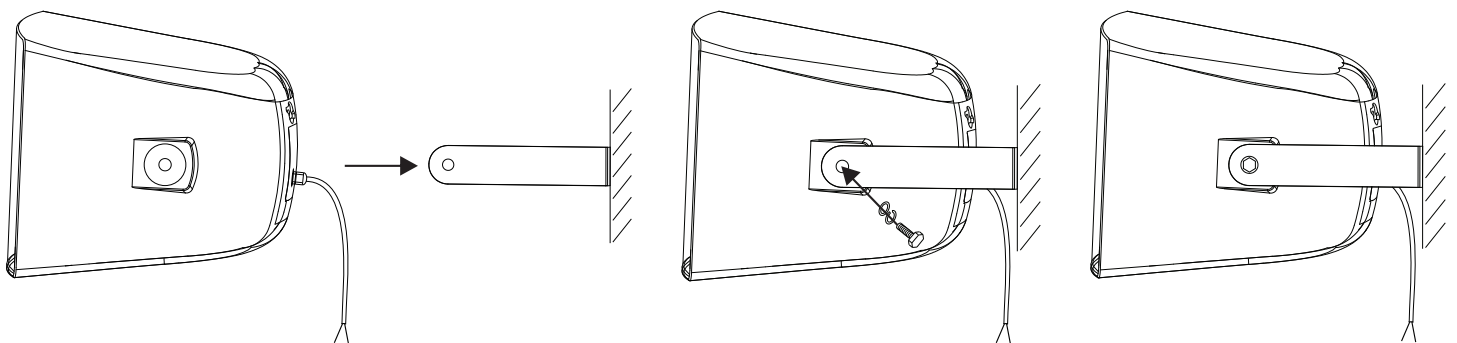
1. Remove the screws on the back of the speaker. Then, remove the waterproof seal and plastic cover from the terminal.
2. The screw terminal connector accommodates speaker wire input and output, thus allowing users to easily daisy-chain speakers in 70V applications.
3. Determine the locations for the speakers and estimate the length of the additional wire you will need for each speaker.
4. Connect the speaker wires to the (+) and (-) inputs based on the desired voltage and wattage.
5. Feed the speaker wire through the hole in the seal cover.
6. Replace the seal cover and tighten it.
7. If sending a wire from the first speaker to an additional speaker is required, remove the plastic knockout from the seal cover and add the provided collet nut.

PLEASE NOTE: The external nut requires a 7/8" wrench, and the internal nut requires a 15/16".



MOUNTING THE SPEAKER

1. Combine the speaker with the wall bracket.
2. Confirm the mounting is secure.



SERVICE

In the event of a malfunction, ensure the problem is not related to operator error or system devices external to this unit. Once it is certain that the problem is related to the product, contact your warranty provider as described in the warranty section of this manual.

LIMITED WARRANTY

PRO ACOUSTICS, LLC. ("PRO ACOUSTICS") warrants this product to the original purchaser to be free from defects in materials and workmanship (subject to the terms set forth below) for the following periods from the date of purchase.

THIS WARRANTY COVERS THE LISTED PRODUCTS AGAINST DEFECTS IN MATERIALS OR WORKMANSHIP FOR THE FOLLOWING PERIOD

Warranty Terms	
Speakers	2 Years
Amplifiers & Electronics	1 Year
Microphones	1 Year
Accessories	1 Year

PRO ACOUSTICS will repair or replace (at PRO ACOUSTICS's option) this product or any defective parts (excluding electronics and amplifiers) in this product.

Your authorized PRO ACOUSTICS dealer will inspect the product, and if your dealer is not equipped to perform the repair of your PRO ACOUSTICS product, they will replace your product or return it to PRO ACOUSTICS for repair at their discretion. Proof of purchase in the form of a bill of sale or receipted invoice, which is evidence that this product is within the warranty period, must be presented to obtain warranty service.

This warranty is invalid if the factory applied serial number has been altered or removed from this product. This warranty is invalid if this product was not purchased from a PRO ACOUSTICS authorized dealer. Cosmetic damage or damage due to the accident, acts of God, misuse, abuse, negligence, commercial use, or modification of, or to any part of, the product are not covered in this warranty. This warranty does not cover damage due to improper operation, maintenance, installation, or attempted repair by anyone other than PRO ACOUSTICS or a PRO ACOUSTICS dealer that is authorized to do PRO ACOUSTICS warranty work. Any unauthorized repairs will void this warranty.

This warranty does not cover products sold as is.

REPAIRS OR REPLACEMENTS AS PROVIDED UNDER THIS WARRANTY ARE THE EXCLUSIVE REMEDY OF THE CONSUMER/PURCHASER. PRO ACOUSTICS U.S.A. SHALL NOT BE LIABLE FOR ANY INCIDENTAL OR CONSEQUENTIAL DAMAGES FOR BREACH OF ANY EXPRESS OR IMPLIED WARRANTY ON THIS PRODUCT. EXCEPT TO THE EXTENT PROHIBITED BY LAW, THIS WARRANTY IS EXCLUSIVE AND IN LIEU OF ALL OTHER EXPRESS AND IMPLIED WARRANTIES WHATSOEVER, INCLUDING BUT NOT LIMITED TO, THE WARRANTY OF MERCHANTABILITY AND FITNESS FOR A PRACTICAL PURPOSE.

This warranty gives you specific legal rights. You may have other rights which vary from state to state.

Specifications may change without notice.

PURE RESONANCE AUDIO®
(866) 676-7804
sales@pureresonanceaudio.com
www.PureResonanceAudio.com