



**PURERESONANCEAUDIO<sup>®</sup>**

**S10 10" ALL-WEATHER STADIUM SPEAKER**

# **INSTALLATION AND OPERATION MANUAL**



Caution: Please read this manual carefully before operating.  
Damage caused by misuse is not covered by the warranty.

# INTRODUCTION

## DESCRIPTION

The Pure Resonance Audio S10 10" compact full-range all-weather stadium loudspeaker offers superior sound quality, clear speech reproduction, and a wide coverage angle of 90° x 90° from a durable construction. IP66 rated for long-lasting reliability in harsh environmental conditions, this weatherproof speaker is dust-tight and protected against direct high-pressure jets. With a fiber-reinforced plastic and metal enclosure and built-in 200W 70V/100V multi-tap transformer with an 8-ohm bypass, the S10 is engineered to perform in outdoor commercial environments. This 70V 2-way outdoor loudspeaker incorporates coaxial 10" LF and 1" HF drivers that deliver high output sound. The S10 is perfect for background and foreground music, paging, and general public address in stadiums, gymnasiums, ball fields, athletic facilities, arenas, fairgrounds, theme parks, warehouses, factories, and a wide variety of other outdoor commercial applications.

## FEATURES

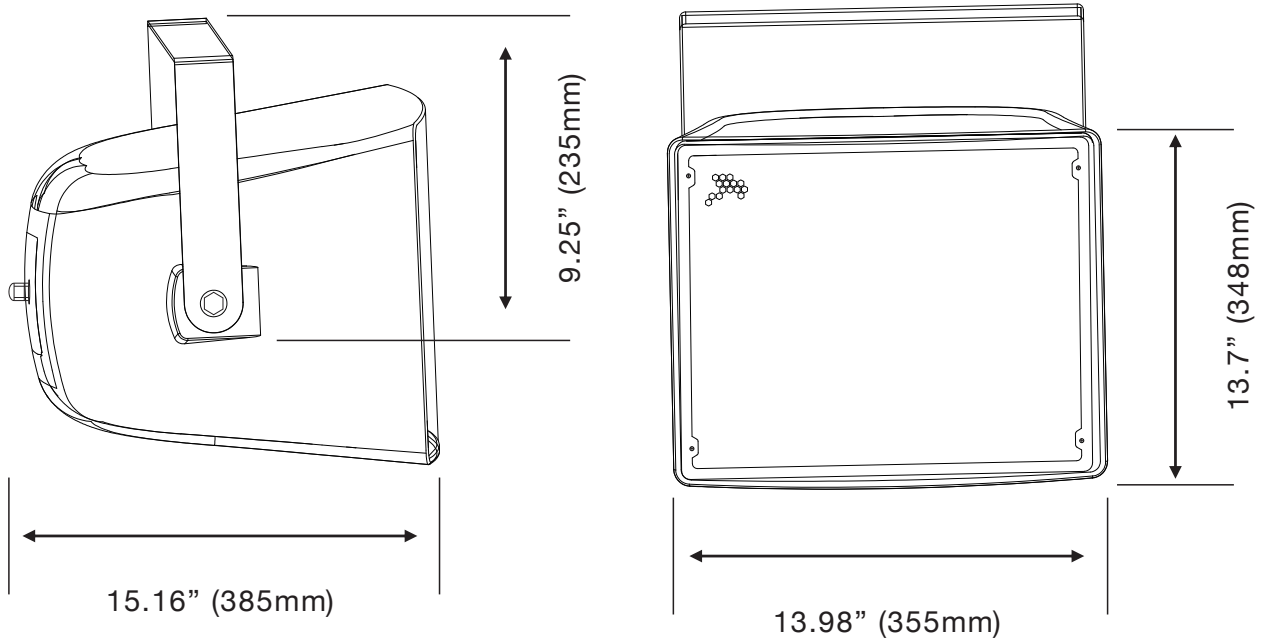
- All-weather construction for long-term reliability in outdoor environments
- Superior sound quality with clear vocal reproduction
- 200 Watt 70 Volt / 100 Volt transformer with 8Ω bypass
- 103dB SPL provides high output sound
- 10" Low-frequency driver and 1" high-frequency driver
- Highly weatherproof IP66 rated
- Ideal coverage of more than 3000 square feet
- Direct speech distance of up to 650 feet
- Weather safe connection with a recessed terminal block and waterproof seal cover
- Fiber-reinforced plastic and metal enclosure with metal grill
- Heavy-duty wall mounting bracket included for quick and secure installation



## SPECIFICATIONS

Rated Power Output	200 Watts
MAX Power	300 Watts
Frequency Response	70Hz - 18kHz
Coverage Pattern	90° x 90°
SPL (@ 1W/1M)	103±3dB
Impedance	8 Ohms
Transformer Taps	12.5W, 25W, 50W, 100W, 200W @ 70V 25W, 50W, 100W, 200W @ 100V
Low-Frequency Driver	10" driver with 3" voice coil
High-Frequency Driver	1" driver
Protection	Weatherproof IP66
Material	Fiber-reinforced plastic and metal enclosure with metal grill
Mount	Wall mounting bracket supplied
Dimensions (H x W x D)	13.7" (348 mm) x 13.98" (355 mm) x 15.16" (385 mm)
Weight	31.45 lbs (14.27 kg)
Shipping Dimensions	15.16" (385 mm) x 17.72" (450 mm) x 17.32" (440 mm)
Shipping Weight	35 lbs (15.88 kg)

## DIMENSIONS





# SAFETY PRECAUTIONS

- Be sure to read the instructions in this section carefully before use. The included conventions of safety symbols and messages are regarded as very important precautions.
- We recommend you keep this instruction manual handy for future reference.

## SAFETY SYMBOL AND MESSAGE CONVENTIONS

Safety symbols and messages described below are used in this manual to prevent bodily injury and property damage that could result from mishandling. Before operating this product, read this manual first and understand the safety symbols and messages so you are thoroughly aware of the potential safety risks.

 **WARNING!** Indicates a potentially hazardous situation which, if mishandled, could result in death or serious personal injury.

 **CAUTION!** Indicates a potentially hazardous situation which, if mishandled, could result in moderate or minor personal injury, and/or property damage.

## **WARNING!**

### IMPORTANT SAFETY INSTRUCTIONS

**\*\*\*THIS PRODUCT MUST BE INSTALLED BY A QUALIFIED TECHNICIAN. THE PROVIDED INSTALLATION HARDWARE MUST BE USED TO INSTALL THIS PRODUCT.\*\*\***

Pro Acoustics is not responsible for the structural integrity of the installation. Please make sure a qualified technician installs this product and the building's engineer or architect has approved the equipment and installation.

1. DO NOT block any ventilation openings. Install following all safety standards and regulations.
2. DO NOT install near any heat source such as stoves, radiators, heat registers, amplifiers, or any other apparatus producing heat.
3. USE hardware and accessories as indicated by the manufacturer.
4. REFER all servicing to qualified service personnel. Servicing is required when the speaker has been damaged in any way, does not operate normally, or has been dropped.

\*No user-serviceable parts inside. Refer all servicing to qualified service personnel.

\*WARNING: To prevent injury, this apparatus must be securely attached in accordance with the installation instructions. No naked flame sources – such as candles – should be placed close to the product.

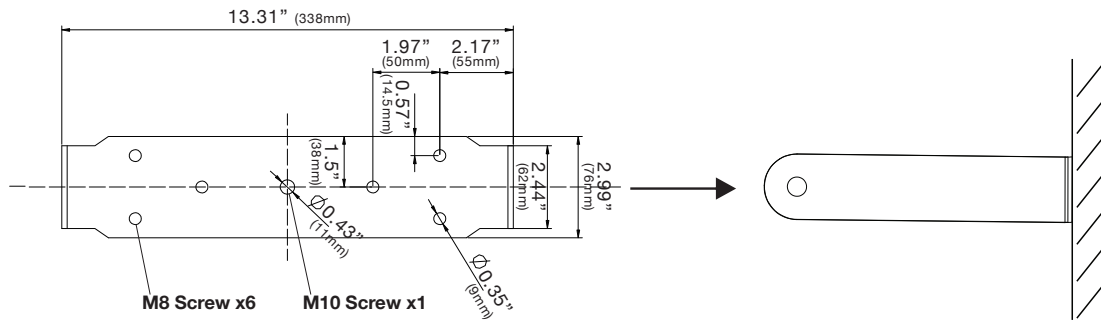
\*CAUTION: Changes or modifications not expressly approved by the manufacturer could void the user's warranty.

## **CAUTION!**

1. When the speakers are installed on the walls, ensure the wall structure is reliable and that the speakers are firmly attached.
2. Install the speaker in a location that can structurally support the weight of the speaker and its mounting hardware. Otherwise, it may result in the unit falling and causing personal injury.

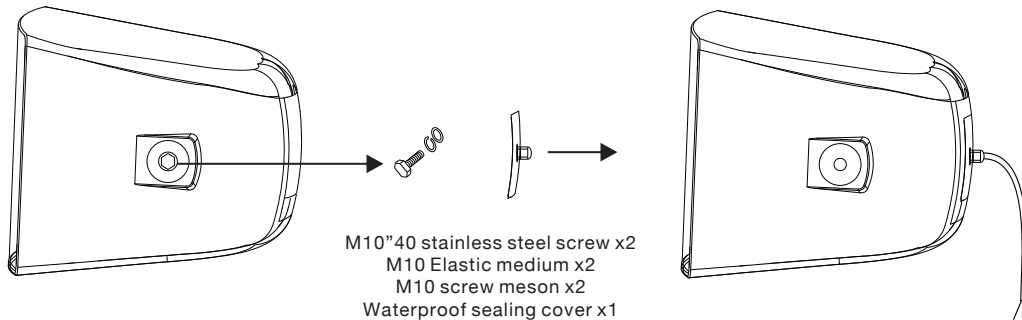
# INSTALLATION & OPERATION GUIDE

## MOUNTING THE BRACKET

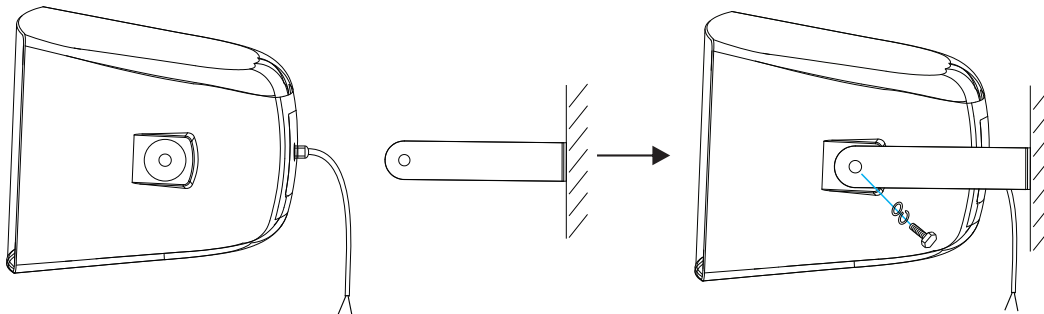


## CONNECTING THE SPEAKER TO YOUR SYSTEM

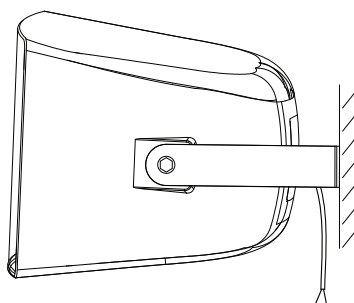
1. Remove the screws on the back of the speaker and then remove the waterproof seal cover.
2. The barrier strip terminal block allows for speaker wire input as well as speaker wire output to easily daisy chain speakers in 70V applications.
3. Determine the locations for the speakers and estimate the length of the additional wire you will need for each speaker.
4. Connect the speaker wires to (+) and (-) inputs.
5. Select the desired tap setting
6. Replace the seal cover and tighten it.



7. Combine the speaker with the wall bracket.



8. Confirm the mounting is secure.



# SERVICE

In the event of a malfunction, ensure the problem is not related to operator error or system devices external to this unit. Once it is certain that the problem is related to the product, contact your warranty provider as described in the warranty section of this manual.

## LIMITED WARRANTY

PRO ACOUSTICS, LLC. ("PRO ACOUSTICS") warrants this product to the original purchaser to be free from defects in materials and workmanship (subject to the terms set forth below), for the following periods from the date of purchase.

### THIS WARRANTY COVERS THE LISTED PRODUCTS AGAINST DEFECTS IN MATERIALS OR WORKMANSHIP FOR THE FOLLOWING PERIOD

Warranty Terms	
Speakers	2 Years
Amplifiers & Electronics	1 Year
Microphones	1 Year
Accessories	1 Year

PRO ACOUSTICS will repair or replace (at PRO ACOUSTICS's option) this product or any defective parts (excluding electronics and amplifiers) in this product.

Your authorized PRO ACOUSTICS dealer will inspect the product and, if your dealer is not equipped to perform the repair of your PRO ACOUSTICS product, they will replace your product or return it to PRO ACOUSTICS for repair, at their discretion. Proof of purchase in the form of a bill of sale or receipted invoice, which is evidence that this product is within the warranty period, must be presented to obtain warranty service.

This warranty is invalid if the factory applied serial number has been altered or removed from this product. This warranty is invalid if this product was not purchased from a PRO ACOUSTICS authorized dealer. Cosmetic damage or damage due to the accident, acts of God, misuse, abuse, negligence, commercial use, or modification of, or to any part of, the product are not covered in this warranty. This warranty does not cover damage due to improper operation, maintenance or installation, or attempted repair by anyone other than PRO ACOUSTICS or a PRO ACOUSTICS dealer which is authorized to do PRO ACOUSTICS warranty work. Any unauthorized repairs will void this warranty.

This warranty does not cover products sold as is.

REPAIRS OR REPLACEMENTS AS PROVIDED UNDER THIS WARRANTY ARE THE EXCLUSIVE REMEDY OF THE CONSUMER/PURCHASER. PRO ACOUSTICS U.S.A. SHALL NOT BE LIABLE FOR ANY INCIDENTAL OR CONSEQUENTIAL DAMAGES FOR BREACH OF ANY EXPRESS OR IMPLIED WARRANTY ON THIS PRODUCT. EXCEPT TO THE EXTENT PROHIBITED BY LAW, THIS WARRANTY IS EXCLUSIVE AND IN LIEU OF ALL OTHER EXPRESS AND IMPLIED WARRANTIES WHATSOEVER, INCLUDING BUT NOT LIMITED TO, THE WARRANTY OF MERCHANTABILITY AND FITNESS FOR A PRACTICAL PURPOSE.

This warranty gives you specific legal rights. You may have other rights which vary from state to state.

Specifications may change without notice.

**PURE RESONANCE AUDIO®**  
(866) 676-7804  
sales@pureresonanceaudio.com  
www.PureResonanceAudio.com