



**PURERESONANCEAUDIO<sup>®</sup>**

**PD6 6.5" PENDANT SPEAKER**

# **INSTALLATION AND OPERATION MANUAL**




Caution: Please read this manual carefully before operating.  
Damage caused by misuse is not covered by the warranty.


# SAFETY PRECAUTIONS

- Be sure to read the instructions in this section carefully before use. The included conventions of safety symbols and messages are regarded as essential precautions.
- We recommend that you keep this instruction manual handy for future reference.

## SAFETY SYMBOL AND MESSAGE CONVENTIONS

Safety symbols and messages described below are used in this manual to prevent bodily injury and property damage that could result from mishandling. Before operating this product, read this manual first and understand the safety symbols and messages so you are thoroughly aware of the potential safety risks.

 **WARNING!** Indicates a potentially hazardous situation which, if mishandled, could result in death or serious personal injury.

 **CAUTION!** Indicates a potentially hazardous situation which, if mishandled, could result in moderate or minor personal injury, and/or property damage.

## **WARNING!**

### IMPORTANT SAFETY INSTRUCTIONS

**\*\*\*THIS PRODUCT MUST BE INSTALLED BY A QUALIFIED TECHNICIAN.  
THE PROVIDED INSTALLATION HARDWARE MUST BE USED TO INSTALL THIS PRODUCT.  
SPEAKERS MUST BE ATTACHED BY A SAFETY CABLE!\*\*\***

Pro Acoustics is not responsible for the structural integrity of the installation. Please ensure that a qualified technician installs this product and that the building's engineer or architect has approved the equipment and installation.

- To prevent injury, this apparatus must be securely attached in accordance with the installation instructions.
- DO NOT install near electricity, smoke, steam, or any heat source such as stoves, radiators, heat registers, amplifiers, or other apparatuses producing heat.
- DO NOT place any naked flame sources, such as candles, close to the product.
- USE hardware and accessories as indicated by the manufacturer.
- REFER all servicing to qualified service personnel. Servicing is required when the speaker is damaged in any way, does not operate normally, or has been dropped.

\*No user-serviceable parts inside. Refer all servicing to qualified service personnel.

\*Changes or modifications not expressly approved by the manufacturer could void the user's warranty.

## **CAUTION!**

Although these speakers are designed to withstand the elements, you should take precautions to optimize their long-term performance.

- Keep soil and wood chips from covering the speaker grill. If soil or dust accumulates on the grill, it can be rinsed away with low water pressure.
- Chemicals commonly used outdoors can damage the speaker's rubber elements. Avoid spraying such chemicals onto or near the speaker.
- Avoid placing the speakers where the grill area will come in direct contact with sprinklers or other water sources.

# DESCRIPTION

Designed to meet the needs of open-ceiling applications, the Pure Resonance Audio PD6 6.5" indoor/outdoor pendant speaker is weather-resistant, high-powered, and easy to install. The PD6 uses an acoustically matched 6.5" and 1" tweeter to maximize performance while minimizing the overall footprint of the speaker. With the addition of a 70-volt transformer, the PD6 can be easily integrated into any distributed commercial audio system. The PD6 is perfect for restaurants, retail stores, offices, warehouses, or any open-architecture or high-ceiling environment requiring paging and background music.

# FEATURES

- Durable weather-resistant construction for indoor and outdoor use
- 70 Volt/100 Volt transformer with 8 Ohm bypass
- 6.5" Polypropylene woofer and 1" silk tweeter
- 87 dB sensitivity provides quality sound
- Easy and secure installation with included pendant mounting hardware
- Euroblock screw terminal connector
- Available in black (PD6) and white (PD6W)

# SPECIFICATIONS

Power Rating	30 Watts RMS; 70 Watts Peak
Frequency Response ( $\pm 10$ dB)	65 Hz - 20 kHz
Sensitivity (@ 1w/1m)	87 dB
Max SPL	101 dB
Dispersion	Conical 150°
Impedance	8 Ohms
Transformer Taps (70V)	4W, 8W, 16W, 32W; 8 Ohm Bypass
Woofer	6.5" Polypropylene
Tweeter	1" Silk
Grill	Powder-coated aluminum
Connection	4-pin Euroblock screw terminal
Dimensions (H x Dia)	10.3" (285 mm) x 8.1" (207 mm)
Weight	6.35 lbs (2.88 kg)
Shipping Dimensions (HxWxD)	11.25" (285.75 mm) x 13.5" (342.9 mm) x 10.56" (268.22 mm)
Shipping Weight	9 lbs (4.08 kg)

# INSTALLATION GUIDE

## SPEAKER PLACEMENT

- If you want music to cover a wide area, it's best to have a larger number of speakers playing at low volume rather than a few at high volume. Keep this in mind when designing your pendant system.
- Place the speakers as close as possible to the primary listening area. The perceived volume of the speaker rapidly decreases as it is moved further from the listener.

## PENDANT MOUNTING

**PLEASE NOTE:** Before beginning installation, be sure to take precise measurements.

1. Determine the locations for the speaker(s).
2. Ensure you have enough speaker wire to reach from the amplifier to the 1st speaker and then to each additional speaker.
3. Unpack the speaker unit and mounting hardware.
4. Measure the length of cable you will need for the desired mounting height.
5. Thread the bare end of the cable through the Fastlink.
6. Secure the cable to or around the structure the speaker will hang from.
7. Thread the cable back through the Fastlink and pull to tighten.  
**IMPORTANT:** Once the tension is pulled through the Fastlink, it cannot be loosened.
8. Attach the carabiner through the eye end of the cable.
9. Run the speaker wire through the oval-shaped hole in the top cover plate.
10. Connect the speaker wire to the first (+) and (-) inputs on the 4-pin Euroblock. Use the second (+) and (-) for daisy-chaining to your next speaker in 70V applications.
11. Select the desired tap setting.
12. Place the cover plate on top of the speaker unit and screw in the eye bolt until it is fully tightened and the cover plate is secure.
13. Attach the carabiner through the eye bolt on the back of the speaker.
14. Your speaker should now be securely installed.

## CONNECTING THE SPEAKER TO YOUR SYSTEM

1. Connect the speaker wire connected to the first (+) and (-) inputs on the speaker's 4-pin Euroblock to the output on the amplifier. Ensure the (+) from the speaker is connected to the (+) on the amplifier and the (-) on the speaker connects to the (-) on the amplifier (see Figure 1).
2. Turn your amplifier on and test the system with your favorite music.

**PLEASE NOTE:** Ensure no stray (+) and (-) strands touch each other. Touching strands can cause a short circuit that could damage the amplifier.

# INSTALLATION DIAGRAM

Figure 1.

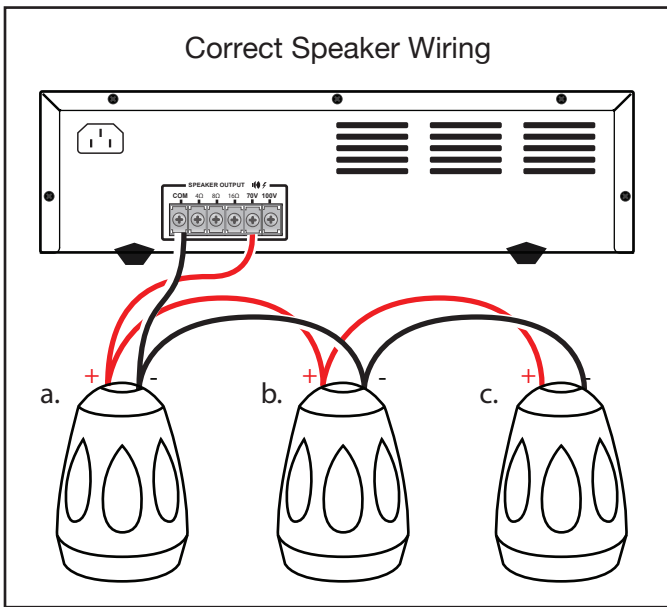
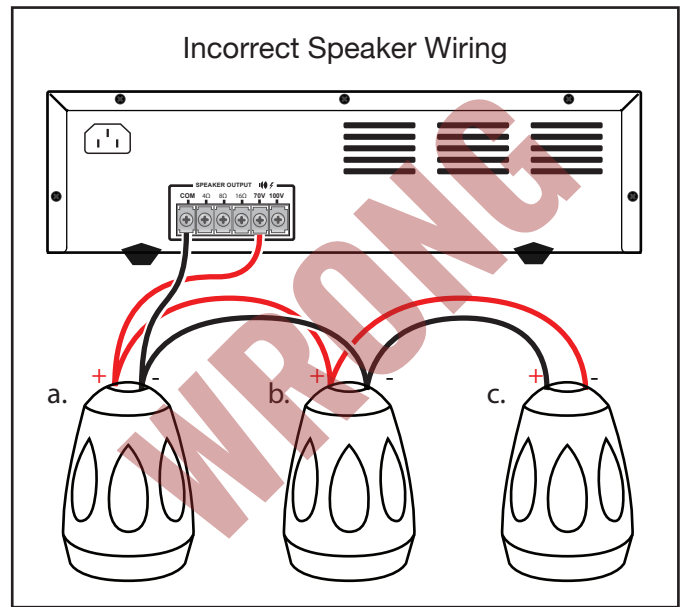


Figure 2.



**PLEASE NOTE:** Be careful not to cross wires when installing your speakers. Wiring should always be negative to negative and positive to positive (Figure 2. shows speaker c. incorrectly wired).

# VOLUME CONTROL INSTALLATION DIAGRAM

Figure 3.

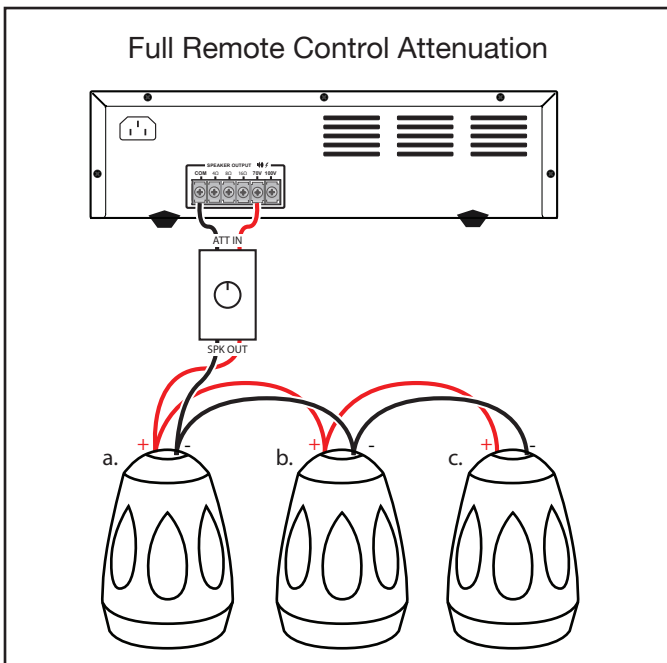
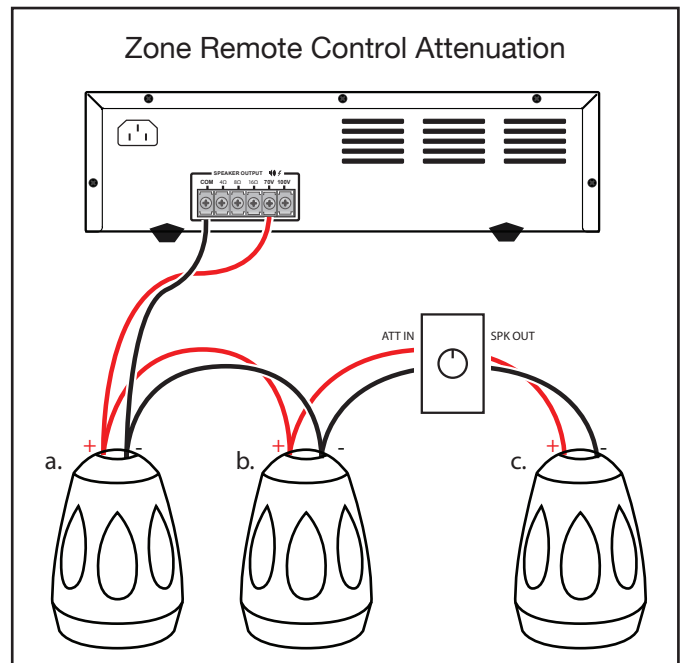


Figure 4.



# SERVICE

In the event of a malfunction, ensure the problem is not related to operator error or system devices external to this unit. Once it is certain that the problem is related to the product, contact your warranty provider as described in the warranty section of this manual.

# LIMITED WARRANTY

PRO ACOUSTICS, LLC. ("PRO ACOUSTICS") warrants this product to the original purchaser to be free from defects in materials and workmanship (subject to the terms set forth below), for the following periods from the date of purchase.

## THIS WARRANTY COVERS THE LISTED PRODUCTS AGAINST DEFECTS IN MATERIALS OR WORKMANSHIP FOR THE FOLLOWING PERIOD

Warranty Terms	
Speakers	2 Years
Amplifiers & Electronics	1 Year
Microphones	1 Year
Accessories	1 Year

PRO ACOUSTICS will repair or replace (at PRO ACOUSTICS's option) this product or any defective parts (excluding electronics and amplifiers) in this product.

Your authorized PRO ACOUSTICS dealer will inspect the product and, if your dealer is not equipped to perform the repair of your PRO ACOUSTICS product, they will replace your product or return it to PRO ACOUSTICS for repair, at their discretion. Proof of purchase in the form of a bill of sale or receipted invoice, which is evidence that this product is within the warranty period, must be presented to obtain warranty service.

This warranty is invalid if the factory applied serial number has been altered or removed from this product. This warranty is invalid if this product was not purchased from a PRO ACOUSTICS authorized dealer. Cosmetic damage or damage due to the accident, acts of God, misuse, abuse, negligence, commercial use, or modification of, or to any part of, the product are not covered in this warranty. This warranty does not cover damage due to improper operation, maintenance or installation, or attempted repair by anyone other than PRO ACOUSTICS or a PRO ACOUSTICS dealer which is authorized to do PRO ACOUSTICS warranty work. Any unauthorized repairs will void this warranty.

This warranty does not cover products sold as is.

REPAIRS OR REPLACEMENTS AS PROVIDED UNDER THIS WARRANTY ARE THE EXCLUSIVE REMEDY OF THE CONSUMER/PURCHASER. PRO ACOUSTICS U.S.A. SHALL NOT BE LIABLE FOR ANY INCIDENTAL OR CONSEQUENTIAL DAMAGES FOR BREACH OF ANY EXPRESS OR IMPLIED WARRANTY ON THIS PRODUCT. EXCEPT TO THE EXTENT PROHIBITED BY LAW, THIS WARRANTY IS EXCLUSIVE AND IN LIEU OF ALL OTHER EXPRESS AND IMPLIED WARRANTIES WHATSOEVER, INCLUDING BUT NOT LIMITED TO, THE WARRANTY OF MERCHANTABILITY AND FITNESS FOR A PRACTICAL PURPOSE.

This warranty gives you specific legal rights. You may have other rights which vary from state to state.

Specifications may change without notice.

**PURE RESONANCE AUDIO®**  
(866) 676-7804  
sales@pureresonanceaudio.com  
www.PureResonanceAudio.com