



**Power
Products**

parts list

V-4 GASOLINE ENGINE

4 Cylinder 104 Cubic Inch Displacement

MODEL NO. _____

SPECIAL OPTION NO. _____

Industrial Engine & Turbine Division
P.O. Box 1796, Dearborn, Michigan 48121

16T
JAN 73 194-110

Any available parts can be purchased at:

FordV4parts.com

A division of Morris Inc.

203 S Jackson St

Aberdeen, SD 57401

605-290-1582

INDEX

Page No.



Air Cleaner	31
Camshaft Assembly	8
Carburetor Assembly	31
Coil Assembly	34
Clutch Assembly	26
Crankshaft and Bearings	6
Cylinder Assembly	4
Cylinder Head	8
Differential Components	24
Distributor Assembly	34
Exhaust System	2
Fan Assembly	29
Flywheel Housing	16
Fuel Pump and Filter	31
Gasket Kits	2
Generator Assembly	32
Intake Manifold	13
Oil Filter	16
Oil Pan Assembly	14
Oil Pump Assembly	13
Power Take-Off	26
Regulator	34
Spark Plugs and Wiring	34
Starting Motor	34
Transmission Assembly	16
Valves - Intake and Exhaust	8-9
Water Pump Assembly	29

GENERAL INFORMATION

This Ford Industrial Engine Parts List is designed to provide for fast and easy identification of genuine Ford parts.

Most normal replacement parts for 4- and 6-cylinder gasoline engines are available from your Ford Power Products Distributor's stock. A Distributor's directory list, Form IET 194-101, enclosed in a protective envelope, is included with each engine or power unit.

Models manufactured to special customer specifications are designated S.O. (Special Option) and are identified by an S.O. number following the model number. When ordering parts, always furnish the complete model, S.O., and serial numbers. Your Power Products Distributor has complete model and S.O. information and can service substituted or peculiar components of S.O. models.

LOCATING PART NUMBERS

Note: Not all parts listed in this book are illustrated.

Illustrations consist of exploded views with parts identified by an item number.

Illustrated parts are identified in the text with the item number.

Parts not illustrated have no item number. These parts are listed under major assembly groups.

The following procedure is recommended for locating parts in this parts list:

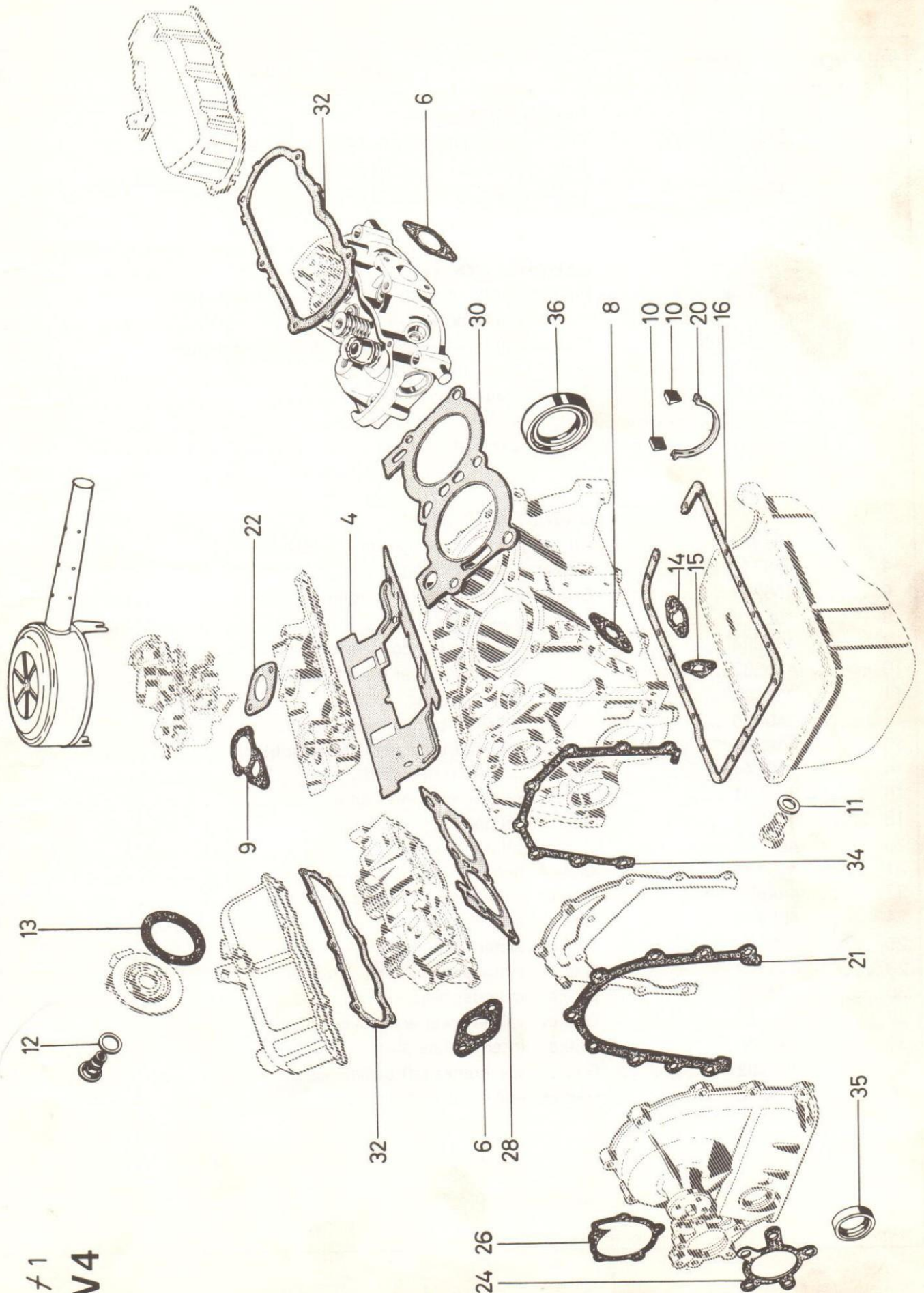
Example: A gasket is required for the water pump cover of a 104 CID engine, and the part number is not known.

1. Refer to the Index at the front of the book for the Water Pump Assembly page number — in this case, page 29.
2. Turn to the appropriate illustration page — in this case, page 27. The gasket for the 104 CID engine (V4) is identified as item 11.
3. Refer to the appropriate text page — in this case, page 29. The gasket listed opposite item 11 and applicable to the 104 CID engine is identified as part number 405404.

When ordering parts, always indicate method of shipment: freight, air freight; express, air express; parcel post, air parcel post.

The information contained in this manual was obtained from reliable sources and is believed to be accurate as of the time of printing. Naturally, its continuing accuracy cannot be guaranteed. Industrial Engine and Turbine Division of Ford Motor Company reserves the right to discontinue models at any time, or change specifications or design, without notice and without incurring obligation.

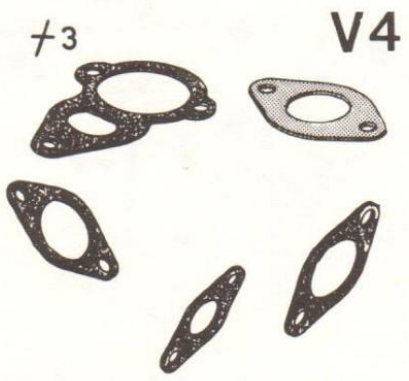
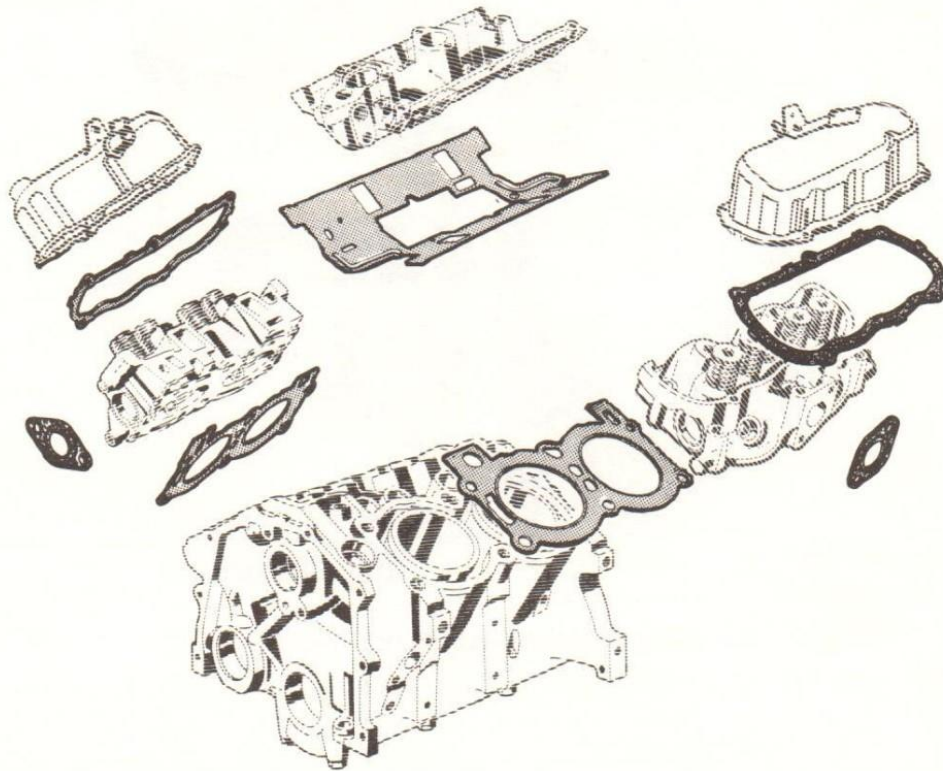
f 1
V4



ENGINE GASKET KIT
(Fig. 1)

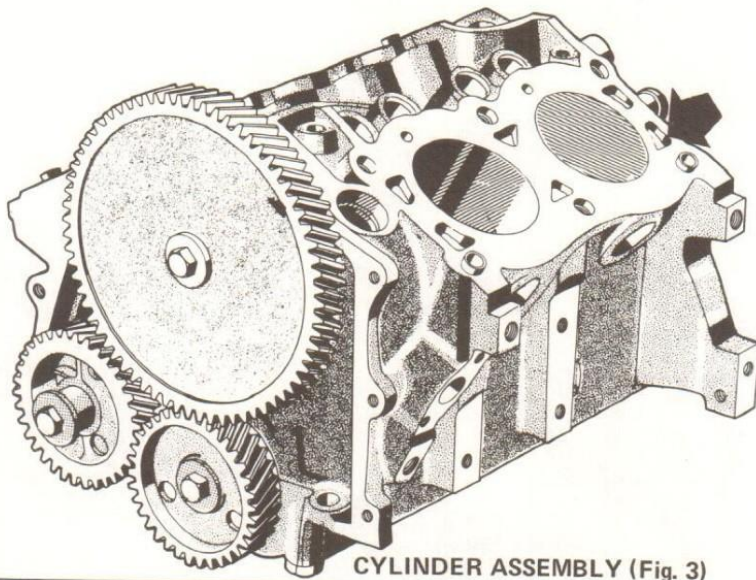
REF NO.	PART NO.	DESCRIPTION	QTY.
		FRONT SUPPORT	
	C7JZ-5019-B	Support assembly, front - radiator and engine	1
	202776	Bolt - hex head - M8 x 18 mm long	6
	34806-S8	Lockwasher - 5/16"	6
		EXHAUST SYSTEM	
	C3JZ-5255-B	Pipe assembly - exhaust 1-1/4" diameter use with side panels, power unit - RH	1
	C7JZ-5255-B	Pipe assembly - exhaust 1-1/4" diameter use with side panels, power unit - LH	1
	230205	Stud - exhaust manifold	4
	227009	Nut - hex - M10	4
	406307	Gasket - exhaust	2
		GASKET KITS (Fig. 1)	
1	634323	Kit - engine overhaul gasket - Consists of:	1
4	448717	Gasket - intake manifold	1
6	406307	Gasket - exhaust flange to cylinder head	2
8	405218	Gasket - fuel pump	1
9	436884	Gasket - water outlet connection	1
10	405583	Gasket - crankshaft rear bearing cap	2
11	228195	Gasket - oil drain plug	1
12	240670	Gasket - oil filter to cylinder block	1
13	436251	Gasket - oil filter bracket to cylinder block	1
14	405144	Gasket - oil pump to cylinder block	1
15	405831	Gasket - oil pump to inlet tube	1
16	405093	Gasket - oil pan	1
20	405095	Gasket - oil pan rear seal	1
21	405164	Gasket - cylinder timing gear cover	1
22	444631	Gasket - carburetor to intake manifold	2
24	405400	Gasket - water pump	1
26	405404	Gasket - water pump cover	1
28	444762	Gasket - cylinder head - RH	1
30	444761	Gasket - cylinder head - LH	1
32	405468	Gasket - valve rocker arm cover	2
34	405318	Gasket - intermediate plate	1
35	405392	Gasket - seal crankshaft or balance shaft (front)	1
36	448543	Gasket - seal crankshaft (rear)	1

V4 #1



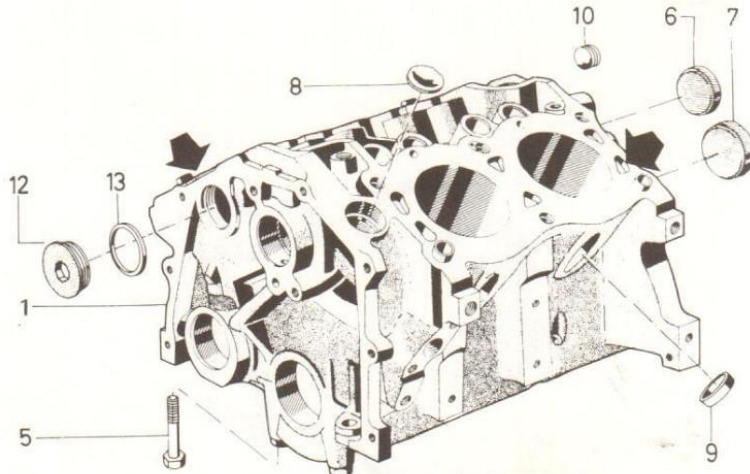
ENGINE GASKET KIT
(Fig. 2)

REF NO.	PART NO.	DESCRIPTION	QTY.
		GASKET KITS (Fig. 2)	
1	634324	Kit - engine decarbonizing gasket	1
3	546366	Kit - engine installation gasket	1
	634376	Kit - cylinder timing gear installation gasket	1



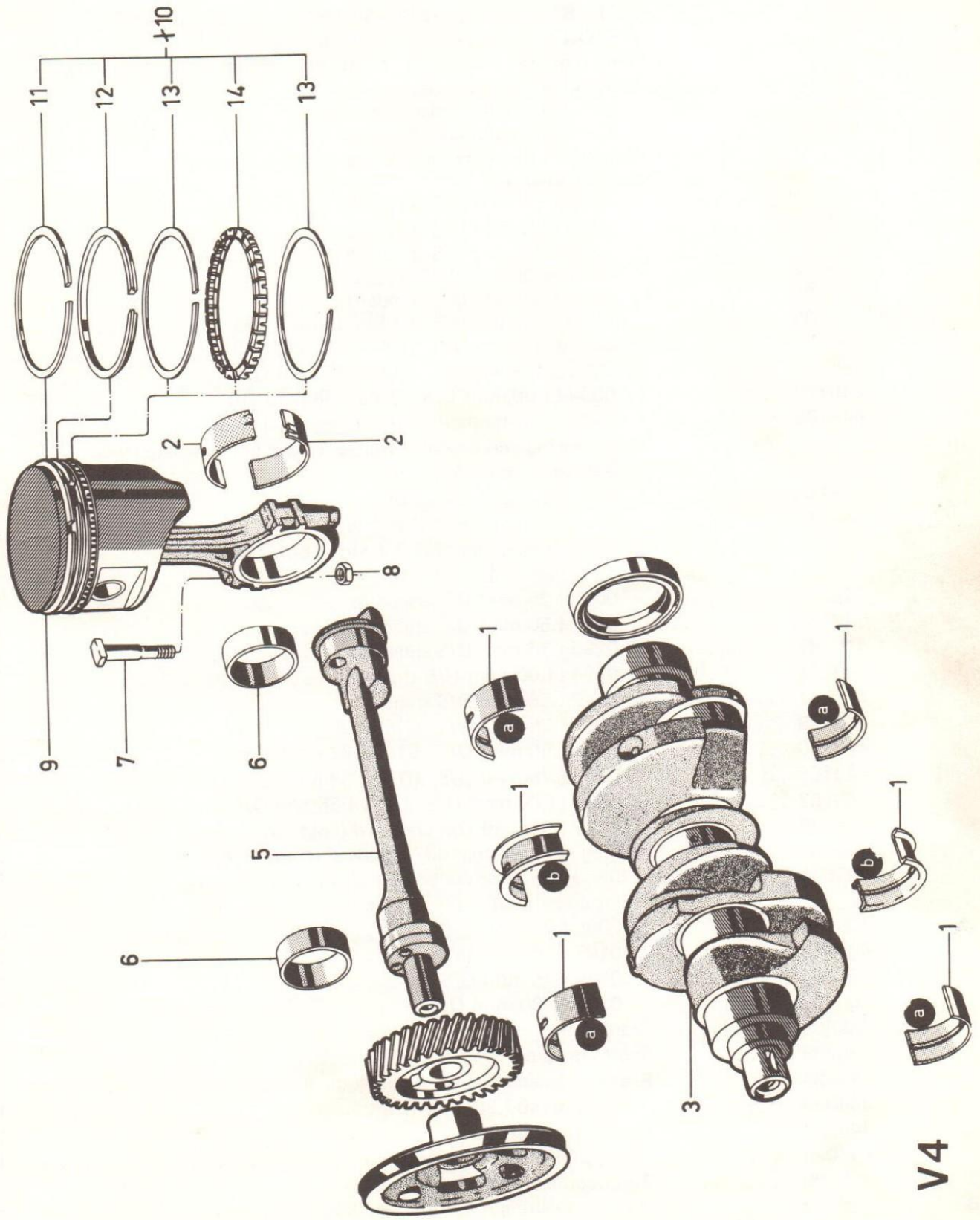
CYLINDER ASSEMBLY (Fig. 3)

REF NO.	PART NO.	DESCRIPTION	QTY.
CYLINDER ASSEMBLIES (Fig. 3)			
1	444894	Cylinder assembly - 4 cylinder	1



CYLINDER BLOCK, PLUGS (Fig. 4)

CYLINDER BLOCK, PLUGS (Fig. 4)			
1	444747	Block - cylinder	1
5	425408	Bolt - hex head - crankshaft bearing cap	6
6	405021	Plug - camshaft bearing	1
7	405086	Plug - balance shaft bearing	1
8	444305	Plug - ventilation tube	1
9	228355	Plug - water jacket (cylinder block/cylinder head)	4
10	759053	Plug - 1/4"-18	1
12	448036	Plug - 36 x 1.5	1
13	239455	Gasket	1

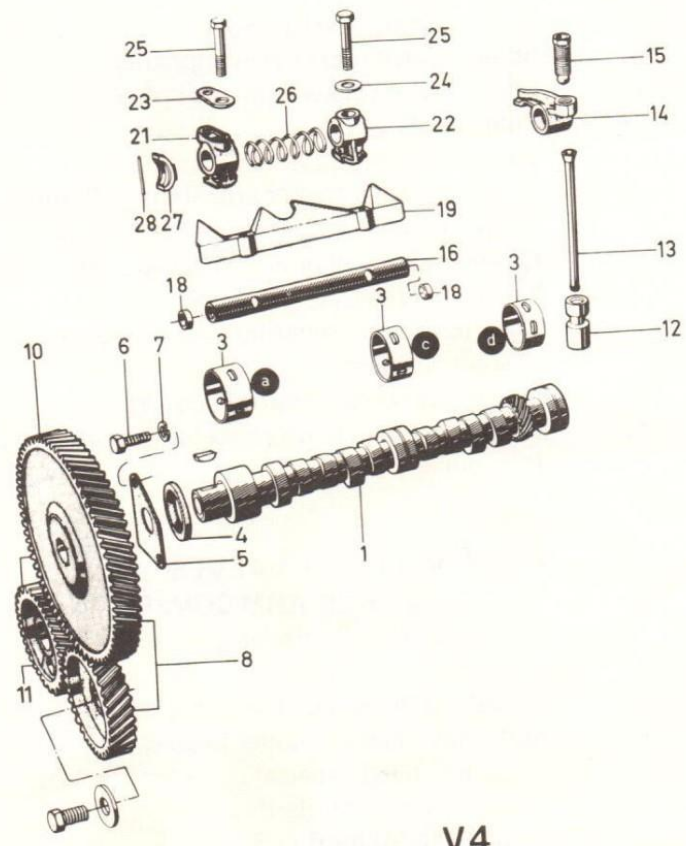


CRANKSHAFT, BALANCE SHAFT, BEARINGS
(Fig. 5)

V4

REF NO.	PART NO.	DESCRIPTION	QTY.
		MAIN BEARINGS, CRANKSHAFT, BALANCE SHAFT, PISTON AND CONNECTIVE ROD ASSEMBLY (Fig. 5)	
1a		Main bearing - crankshaft - front, front intermediate (V-6), rear	
	448126	Standard - color coded red	4
	448127	Standard - color coded blue	4
	448247	Standard - color coded yellow	4
		Crankshaft diameter - block bearing bore diameter (color coded red)	
	4481300098 (.25 mm) U/S standard	4
	4481320197 (.50 mm) U/S standard	4
	4481330295 (.75 mm) U/S standard	4
	4481340394 (1.00 mm) U/S standard	4
	4481280149 (.38 mm) O/S standard	4
	4481350098 (.25 mm) U/S; .0149 (.38 mm) O/S	4
	4481360197 (.50 mm) U/S; .0149 (.38 mm) O/S	4
	4481370295 (.75 mm) U/S; .0149 (.38 mm) O/S	4
	4481380394 (1.00 mm) U/S; .0149 (.38 mm) O/S	4
	4481290149 O/D standard (color coded blue)	4
1b		Main bearing - crankshaft - center, center intermediate (V-6)	
	448139	Standard - color coded red	2
	448140	Standard - color coded blue	2
	448248	Standard - color coded yellow	2
		Crankshaft diameter - block bearing bore diameter (color coded red)	
	4481430098 (.25 mm) U/S standard	2
	4481460197 (.50 mm) U/S standard	2
	4481470295 (.75 mm) U/S standard	2
	4481480394 (1.00 mm) U/S standard	2
	4481410149 (.38 mm) O/S standard	2
	4481490098 (.25 mm) U/S; .0149 (.38 mm) O/S	2
	4481500197 (.50 mm) U/S; .0149 (.38 mm) O/S	2
	4481510295 (.75 mm) U/S; .0149 (.38 mm) O/S	2
	4481520394 (1.00 mm) U/S; .0149 (.38mm) O/S	2
	4481420149 (.38 mm) O/S standard (color coded blue)	2
2	405654	Bearing - connecting rod - standard (color coded red)	8
	405656	Standard - color coded blue	8
		(color coded red)	
	4056600098 (.25 mm) U/S	8
	4056620197 (.50 mm) U/S	8
	4056640195 (.75 mm) U/S	8
	4056660394 (1.00 mm) U/S	8
3	436885	Crankshaft	1
5	436208	Shaft - balance	1
6	444024	Bearing - balance shaft - front, standard	1
	444025	front, .0149 (.38 mm) U/S	1
	444027	rear, standard	1
	444028	rear, .0149 (.38mm) U/S	1
7	405406	Bolt - connecting rod	8
8	228439	Nut - connecting rod bolt	8

REF NO.	PART NO.	DESCRIPTION	QTY.
MAIN BEARINGS, CRANKSHAFT, BALANCE SHAFT, PISTON AND CONNECTIVE ROD ASSEMBLY – Continued			
9	444718	Piston and connecting rod assembly, standard	4
	444725	.0196 (.50 mm) O/S	4
	444732	.0394 (1.00 mm) O/S	4
10	436587	Kit - piston ring, standard	1
	436588	.0196 (.50 mm) O/S	1
11	405512	Ring - upper - compression standard	4
	425353	.0196 (.50 mm) O/S	4
	436600	.0394 (1.00 mm) O/S	4
12	405515	Ring - lower - compression	4
	425365	.0196 (.50 mm) O/S	4
	436602	.0394 (1.00 mm) O/S	4
13	405313	Segment - oil ring - standard	8
	425030	.0196 (.50 mm) O/S	8
	425032	.0394 (1.00 mm) O/S	8
14	405112	Spacer, oil ring - standard	4
	405991	.0196 (.50 mm) O/S	4
	405993	.0394 (1.00 mm) O/S	4

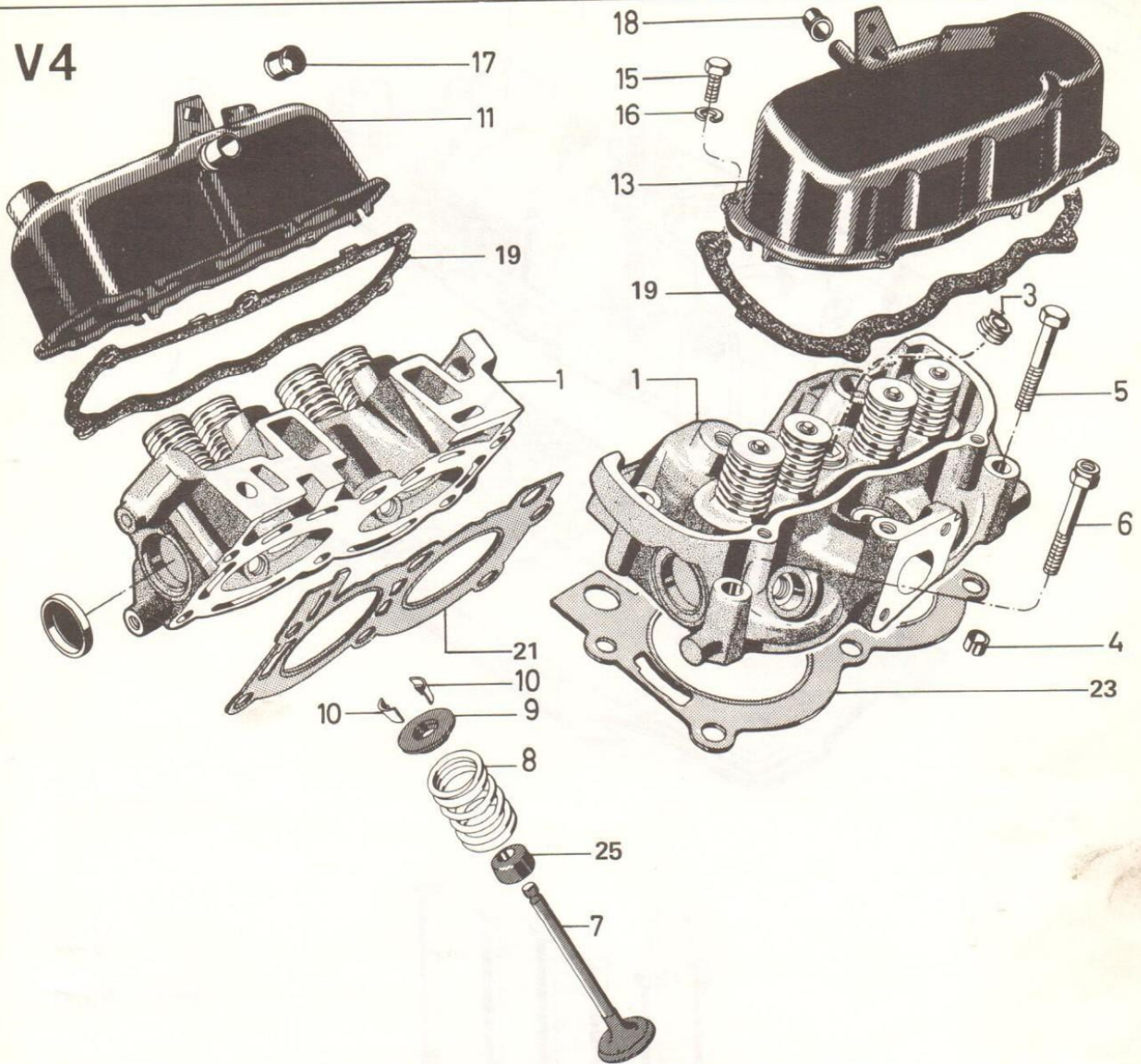


V4

CAMSHAFT, VALVE CONTROL (Fig. 6)

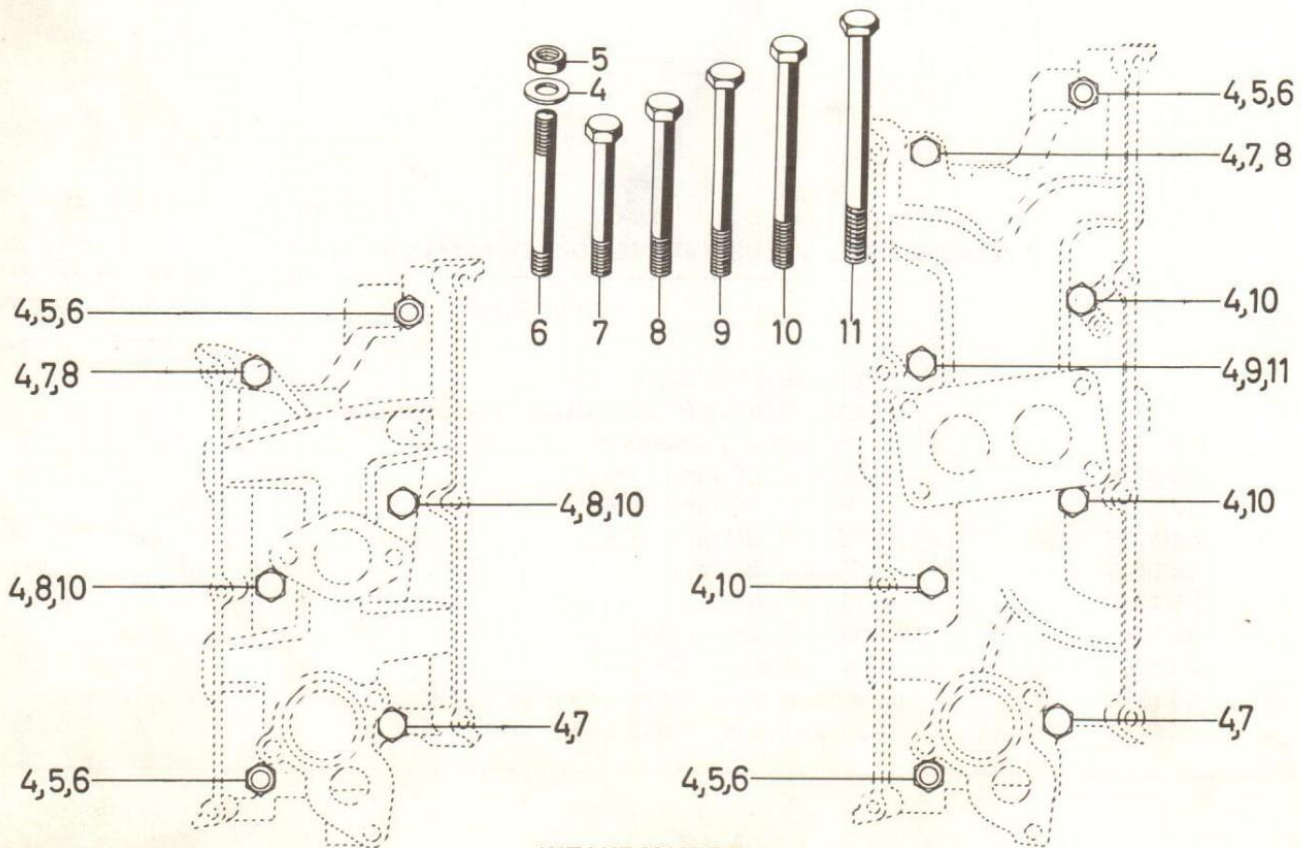
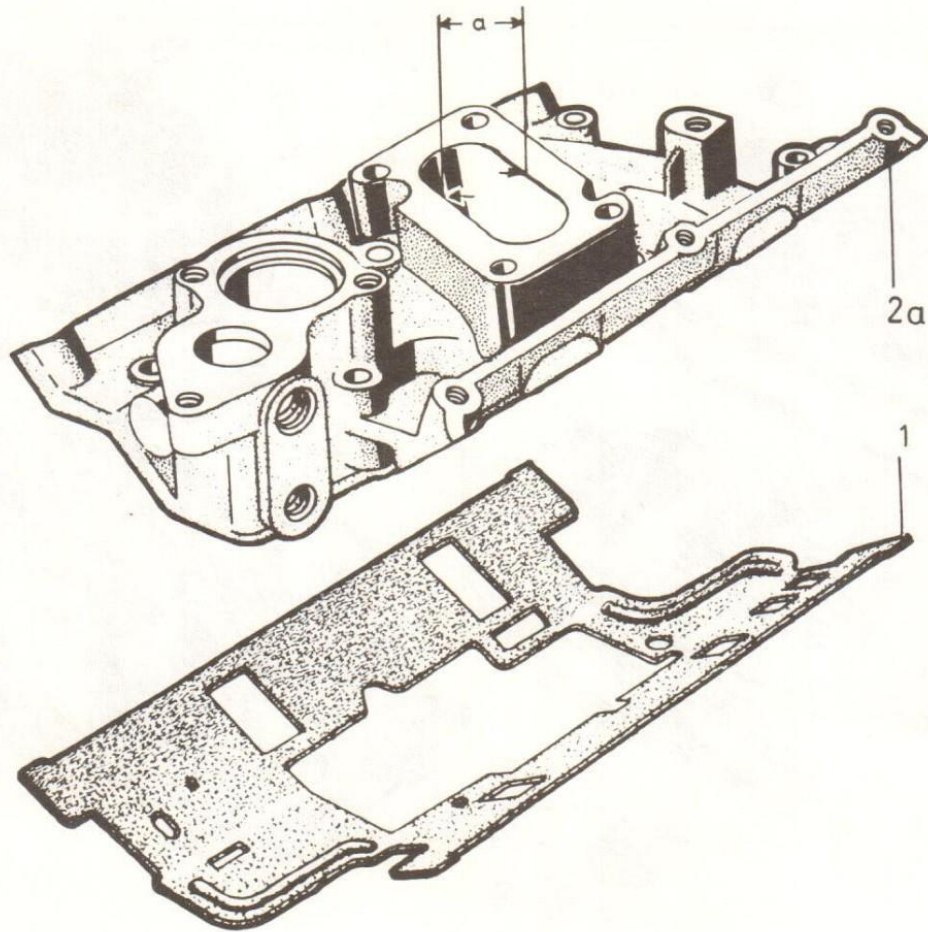
REF NO.	PART NO.	DESCRIPTION	QTY.
CAMSHAFT ASSEMBLY, VALVE CONTROL (Fig. 6)			
1	405823	Camshaft assembly	1
	405589	.015 U/S	1
3a	405588	Bearing, camshaft - front standard	1
3c	405590	Bearing, camshaft - center and rear intermediate, standard	1
	405591	.015 U/S	1
3d	405592	Bearing, camshaft - rear, standard	1
	405593	.014961 U/S	1
4	425764	Spacer - camshaft gear (blue)	1
	425765	(red)	1
5	425762	Plate, camshaft thrust	1
6	202746	Bolt, hex head - M8 x 18 - thrust plate, self-locking	2
7	760797	Lockwasher	2
8	436595	Gear set - timing (crankshaft, camshaft and balance shaft)	1
10	436569	Gear - camshaft	1
11	635376	Gear - balance shaft	1
12	405223	Tappet - valve	8
13	425494	Rod - valve push	8
14	405230	Arm assembly - valve rocker	8
15	541824	Screw - valve rocker arm adjusting	8
16	710263	Shaft - valve rocker arm with plug	2
18	226985	Plug	4
19	405235	Baffle - oil	2
21	405233	Support - valve rocker arm shaft - oil inlet	2
22	405234	Support - valve rocker arm shaft - oil outlet	2
23	405237	Cover - valve rocker arm shaft support	2
24	225225	Washer - flat	2
25	239645	Bolt, hex head - securing valve rocker arm shaft support	4
26	447066	Spring - valve rocker arm locating	2
27	447094	Washer, spring - valve rocker arm shaft	4
28	226555	Roll pin	4
CYLINDER HEAD, VALVES, VALVE ROCKER ARM COVER (Fig. 7)			
1	448680	Head assembly - cylinder	2
3	225255	Plug, pipe	2
4	447219	Dowel - cylinder head securing	4
5	425408	Bolt - hex head - cylinder head securing	AR
6	230555	Bolt - hex head - special cylinder head securing	1
7	405429	Valve - intake, standard	4
	405430	.0078 (0.20 mm) O/S	4
	405431	.0157 (0.40 mm) O/S	4
	405432	.0236 (0.60 mm) O/S	4
	405433	.0314 (0.80 mm) O/S	4

V4

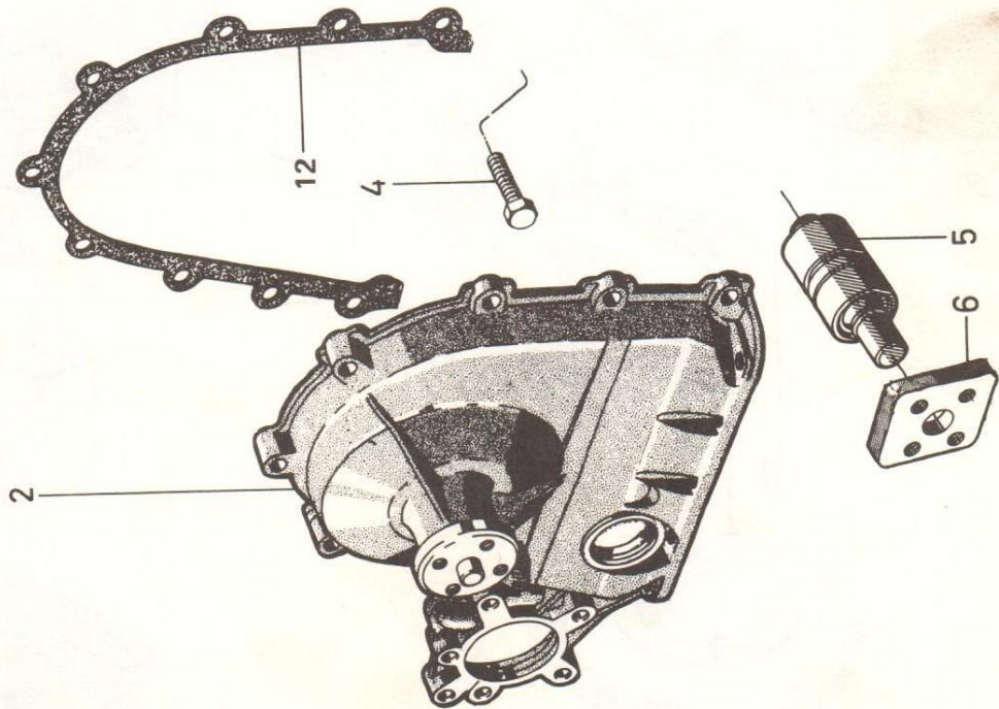
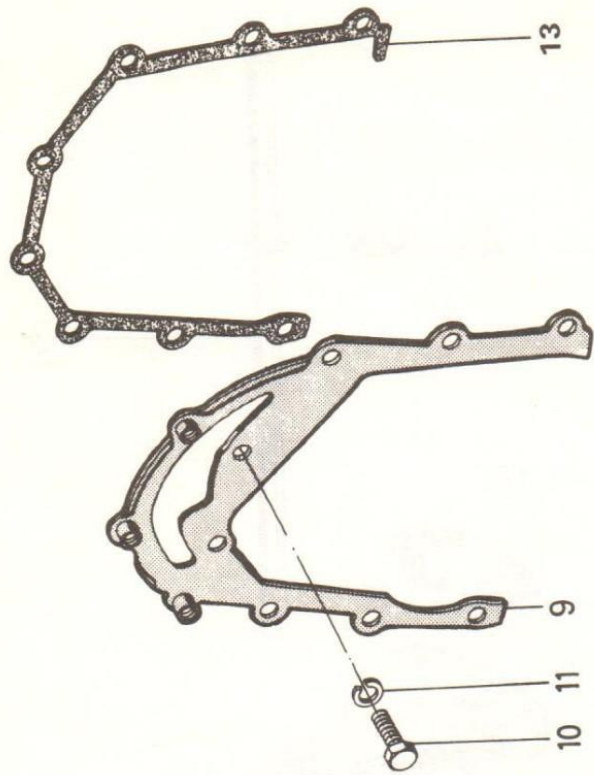


CYLINDER HEAD, VALVES, VALVE ROCKER ARM COVER (Fig. 7)

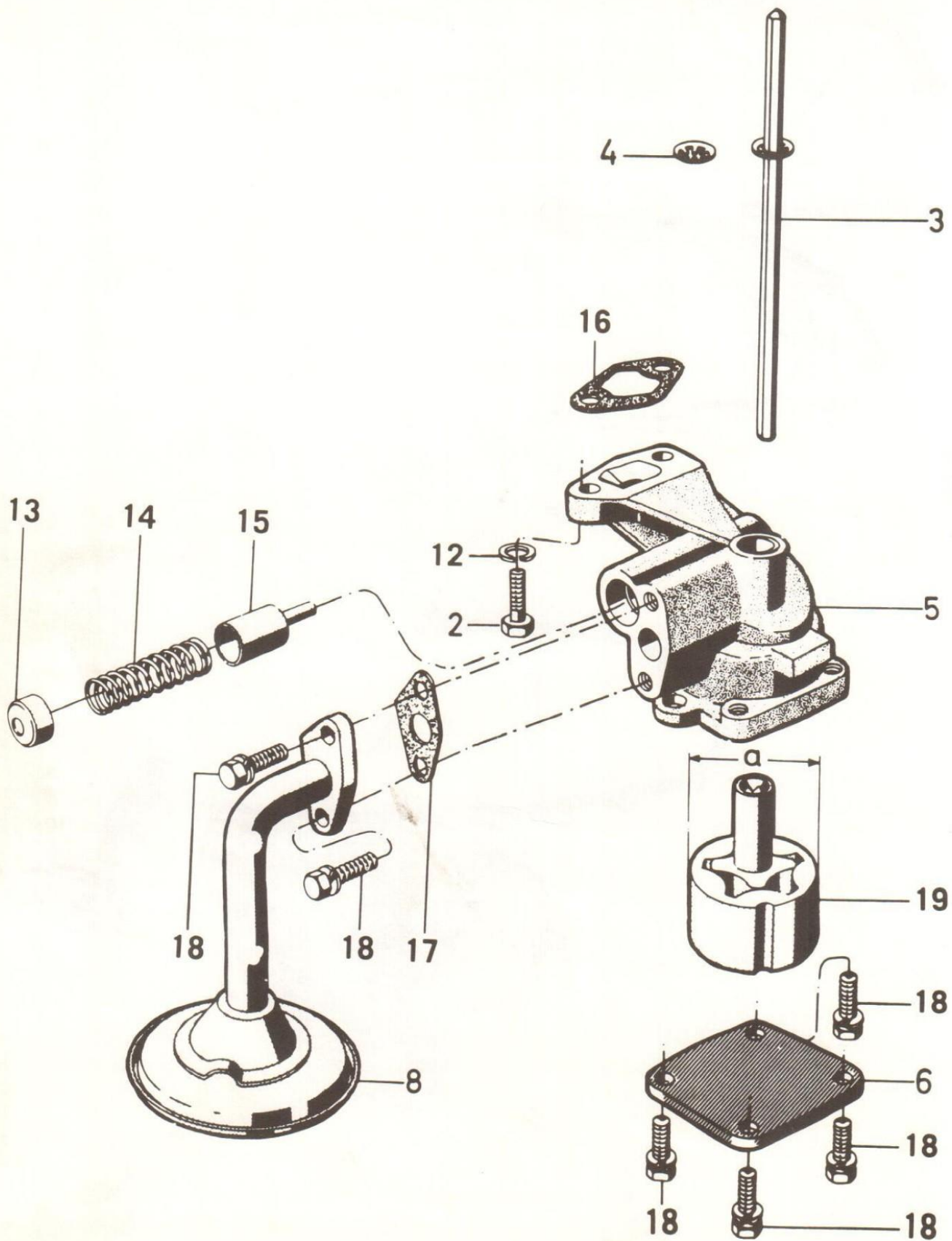
REF NO.	PART NO.	DESCRIPTION	QTY.
CYLINDER HEAD, VALVES, VALVE ROCKER ARM COVER – Continued			
	448894	Valve - exhaust, standard	4
	448895	.0078 (0.20 mm) O/S	4
	448896	.0157 (0.40 mm) O/S	4
	448897	.0236 (0.60 mm) O/S	4
	448898	.0314 (0.80 mm) O/S	4
8	750403	Spring - valve	8
9	447024	Retainer - valve spring	8
10	448893	Lock, - valve spring retainer	16
11	464610	Cover assembly - valve rocker arm - RH	1
13	444815	Cover assembly - valve rocker arm - LH	1



INTAKE MANIFOLD
(Fig. 8)



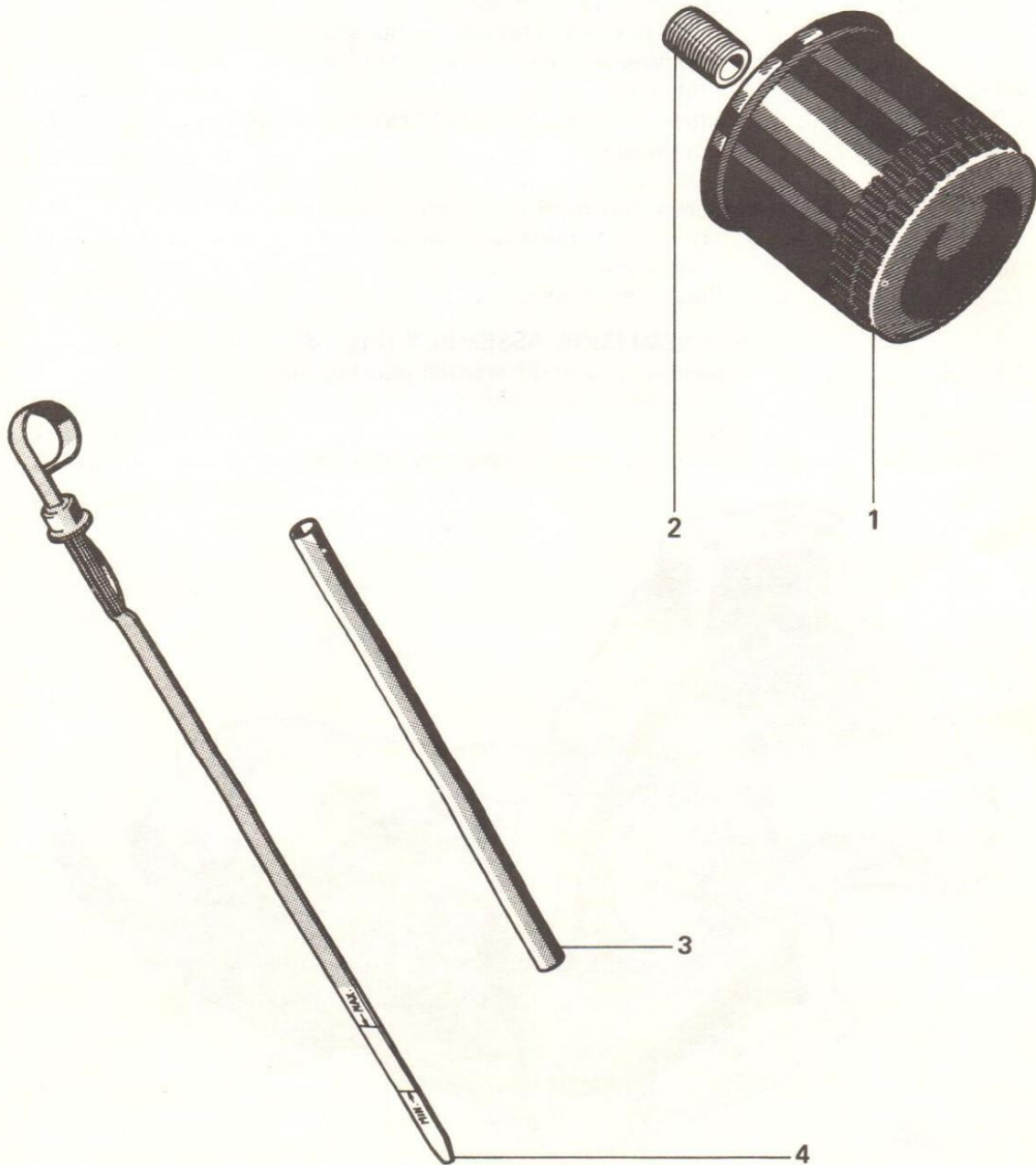
CYLINDER TIMING GEAR COVER
(Fig. 9)



OIL PUMP
(Fig. 10)

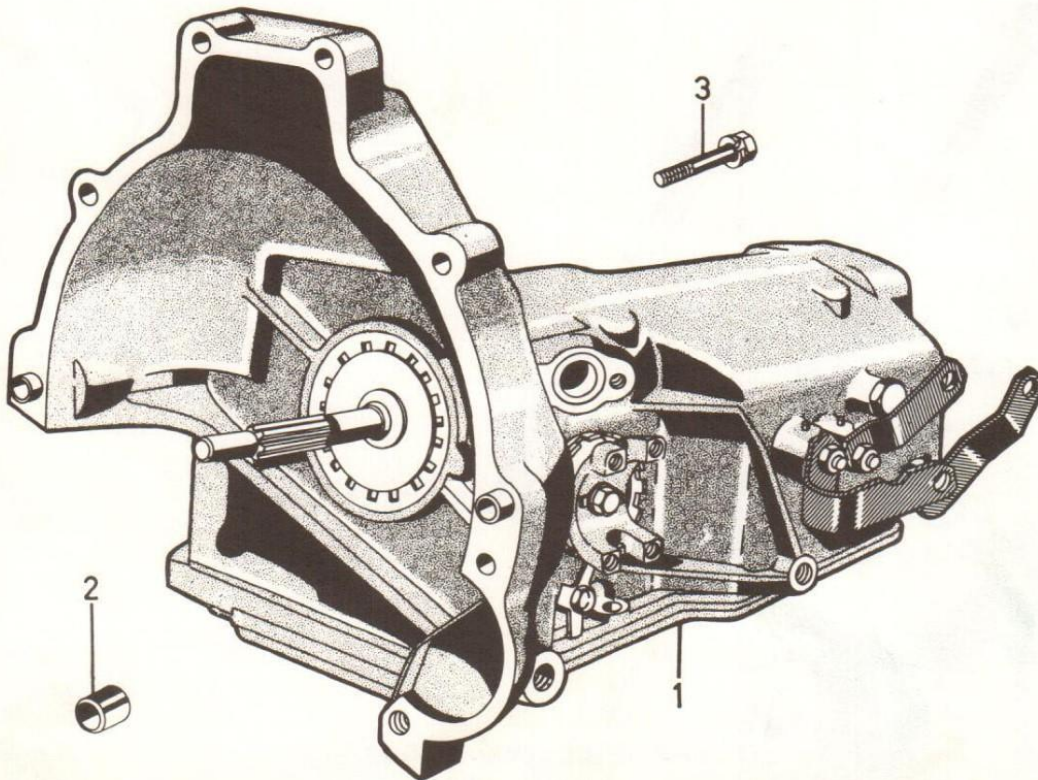
REF NO.	PART NO.	DESCRIPTION	QTY.
		CYLINDER HEAD, VALVES, VALVE ROCKER ARM COVER – Continued	
	436616	Cap assembly - oil filler and breather	1
15	202716	Bolt - hex head - valve rocker arm securing	10
16	228335	Lockwasher - valve rocker arm	10
17	546959	Cap - valve rocker arm cover - RH	1
18	546961	Cap - valve rocker arm cover - LH	1
19	405468	Gasket - valve rocker arm cover	2
21	444762	Gasket - cylinder head - RH	1
23	444761	Gasket - cylinder head - LH	1
25	444927	Gasket - oil seal	8
10	448893	Lock - valve spring retainer - 3 groove	16
		INTAKE MANIFOLD (Fig. 8)	
2a	448614	Manifold assembly - intake	1
4	206036	Washer, flat - intake manifold	6
5	240779	Nut - hex head - intake manifold	2
6	340789	Stud - intake manifold	2
7	228995	Bolt - hex head - intake manifold	2
8	232919	Bolt - hex head - intake manifold	2
10	227675	Bolt - hex head - intake manifold	2
12	225255	Plug - pipe - 3/4" x 14	1
		CYLINDER TIMING GEAR COVER (Fig. 9)	
2	436070	Cover - cylinder timing gear	1
4	202836	Bolt - hex head - cylinder timing gear cover	9
5	543098	Shaft and bearing assembly	1
6	527134	Hub, fan	1
9	448029	Plate - intermediate	1
10	760777	Bolt - hex head - intermediate plate	2
11	760797	Lockwasher	2
12	405164	Gasket - cylinder timing gear cover	1
13	405318	Gasket - intermediate plate	1
14	405392	Gasket - seal crankshaft or balance shaft (front)	1
		OIL PUMP (Fig. 10)	
1	425244	Pump assembly - oil, for rear sump pan	1
2	202835	Bolt - hex head	2
3	405141	Shaft assembly - intermediate	1
4	405143	Lockwasher - tooth	1
5	425245	Body - oil pump, for rear sump pan	1
6	405130	Plate - cover, for rear sump pan	1
8	623171	Cover and screen assembly - for rear sump pan	1
	232105	Bolt - hex head and lockwasher assembly	1

REF NO.	PART NO.	DESCRIPTION	QTY.
OIL PAN – Continued			
12	405583	Gasket - crankshaft rear bearing cap	2
13	405095	Gasket - oil pan rear seal	1
	228195	Gasket - oil drain plug	1

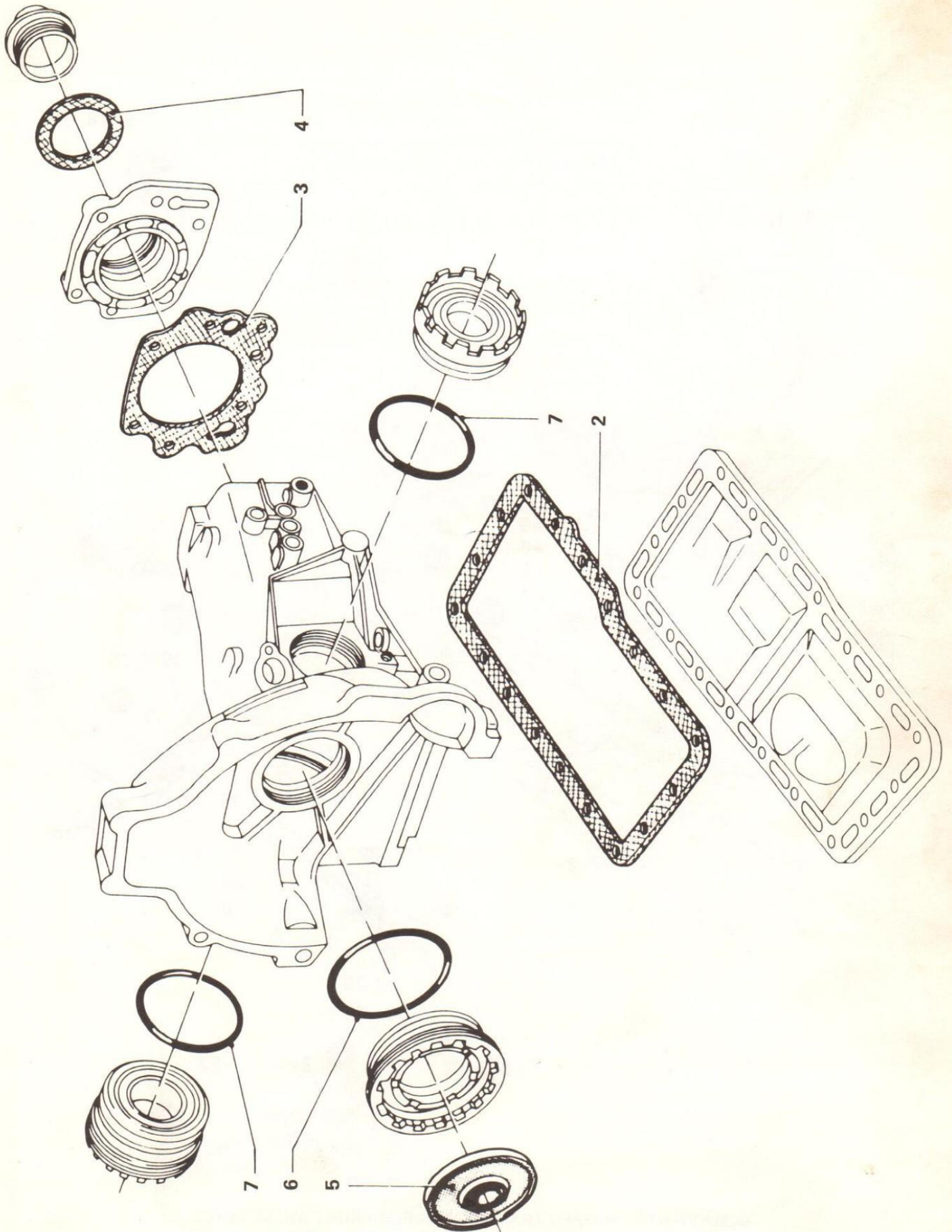


OIL FILTER, OIL LEVEL INDICATOR
(Fig. 12)

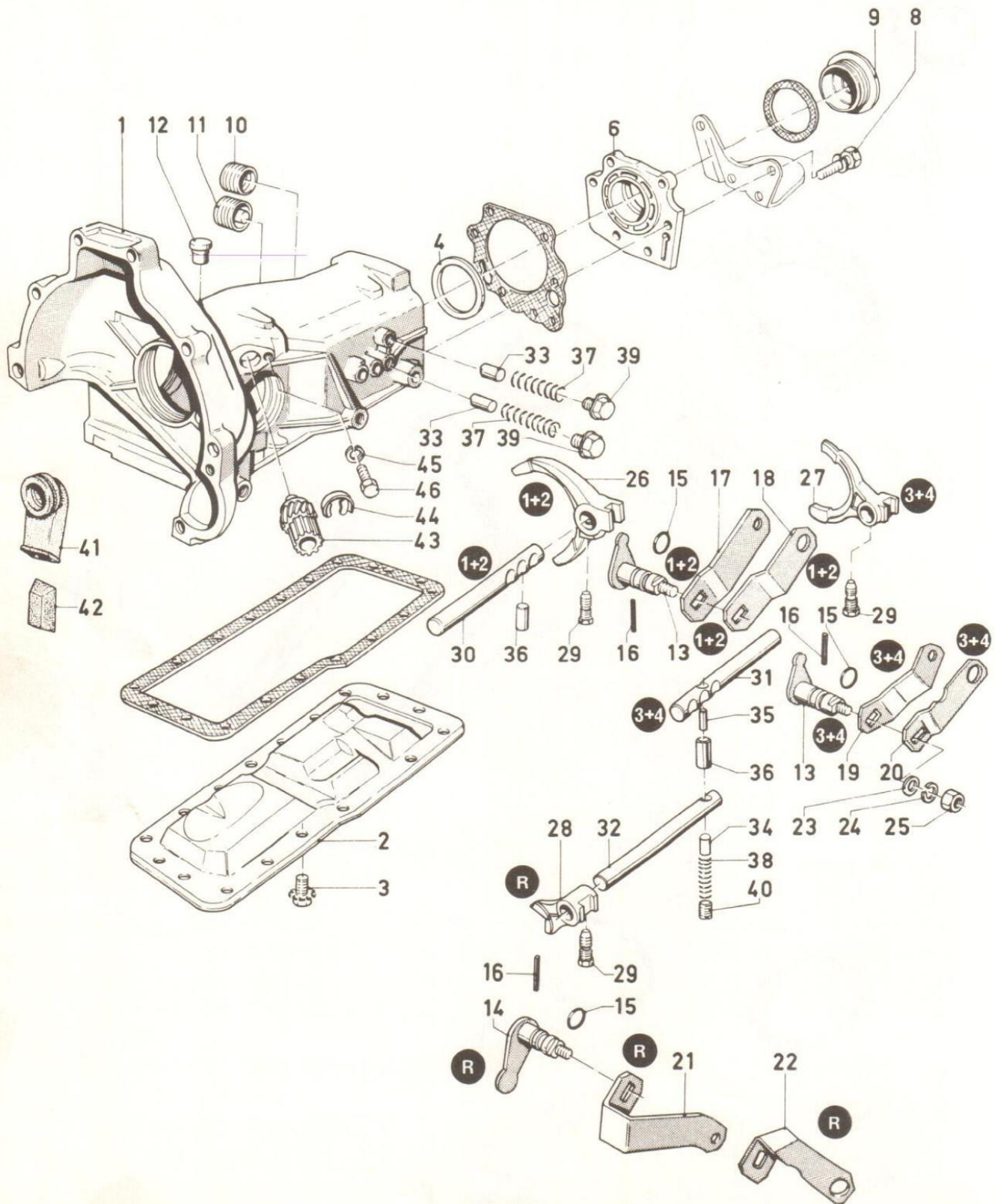
REF NO.	PART NO.	DESCRIPTION	QTY.
OIL FILTER, OIL LEVER INDICATOR (Fig. 12)			
1	C6JZ-6714-B	Filter Assembly - Oil	1
2	405149	Bushing - threaded	1
3	405867	Tube - oil level indicator - standard	1
4	405868	Indicator assembly - oil level	1
OIL FILLER AND BREATHER CAP			
	436616	Cap assembly - oil filler and breather	1
FLYWHEEL HOUSING WITH FEET, LESS SIDE PADS			
	C2JZ-6392-B	Housing assembly - flywheel	1
	233575	Bolt - hex head and lockwasher assembly - housing and plate to cylinder block	2
	44731-S7	Flatwasher - 7/16"	2
	C3JZ-7502-A	Stud - housing and plate to cylinder block	4
	1471160	Lockwasher	6
	204756	Nut	4
	42719-S8	Screw, hex head and washer assembly - rear engine plate to housing	2
	408462	Dowel pin	2
	C3JZ-7007-A	Plate - rear engine	1
TRANSMISSION ASSEMBLY (Fig. 13)			
1	710109	Transmission and differential housing with differential assembly	1
2	408462	Dowel	2
3	233575	Bolt and lockwasher assembly - hex head	6



4-SPEED TRANSMISSION FOR FRONT DRIVE AND MOUNTING PARTS (Fig. 13)

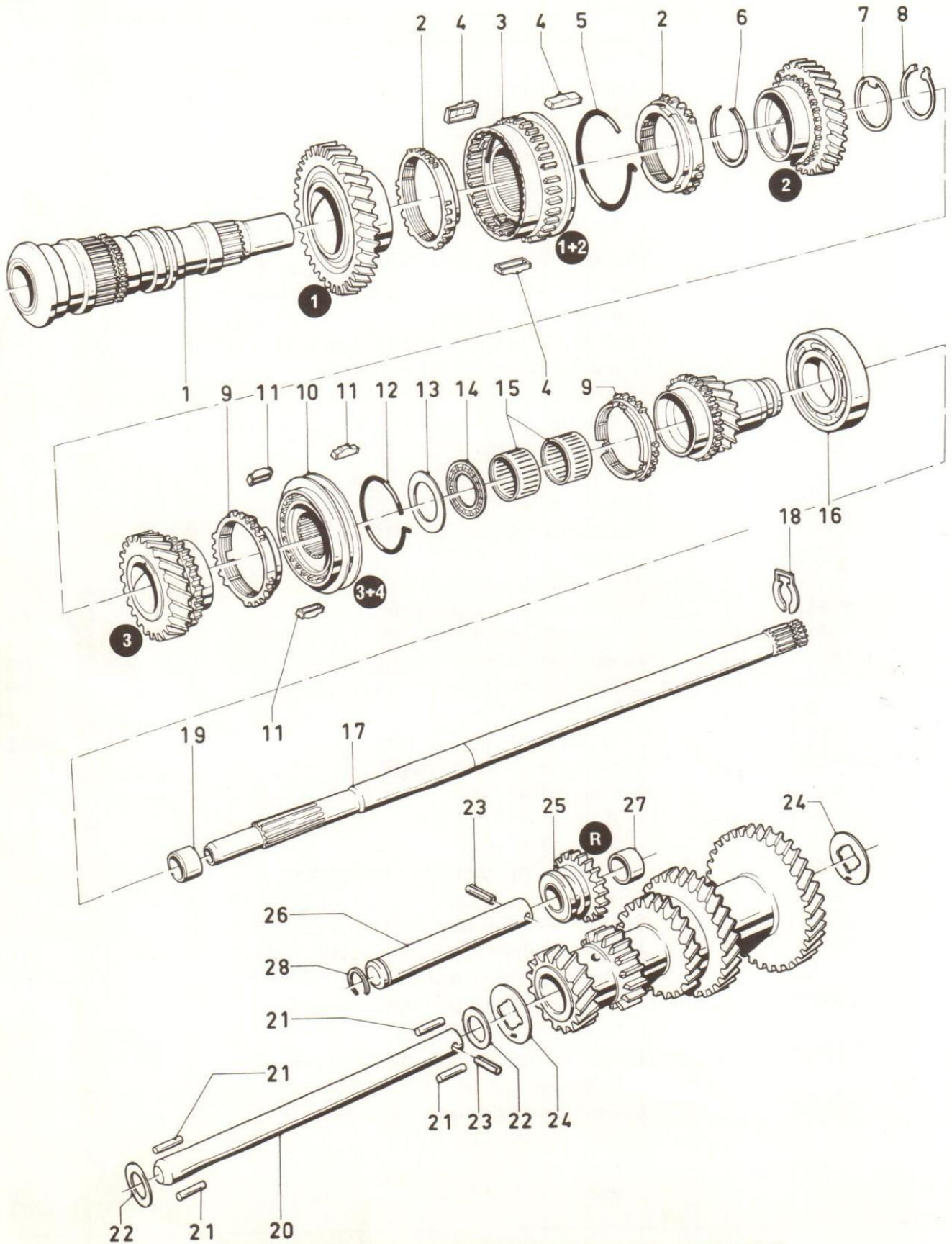


GASKET KIT - 4-SPEED TRANSMISSION FOR FRONT DRIVE
(Fig. 14)



COMPONENTS – 4-SPEED TRANSMISSION FOR FRONT WHEEL DRIVE
 (Fig. 15)

REF NO.	PART NO.	DESCRIPTION	QTY.
GASKET KIT (Fig. 14)			
1	407178	Gasket kit	1
2	428011	Gasket - oil pan	1
3	408349	Gasket - end cover	1
4	408908	Gasket - access cover	1
5	466143	Seal assembly - oil	1
6	225979	Seal	1
7	225989	Seal	2
TRANSMISSION COMPONENTS (Fig. 15)			
1	428171	Housing assembly - transmission and differential	1
2	408291	Pan - oil	1
3	239895	Bolt and lockwasher assembly - hex head	18
4	408487	Shim - end cover 2.0193-2.0955	1
	408488	Shim - end cover 1.8415-1.9177	1
	408489	Shim - end cover 1.6637-1.7399	1
	408490	Shim - end cover 1.4859-1.5621	1
	408491	Shim - end cover 1.3081-1.3843	1
	408492	Shim - end cover 1.1811-1.2573	1
	408493	Shim - end cover 1.0033-1.0795	1
	408494	Shim - end cover 0.838-0.940	1
	408495	Shim - end cover 0.711-0.813	1
	408496	Shim - end cover 0.559-0.660	1
	408497	Shim - end cover 0.406-0.508	1
6	466092	Cover - end (cover to housing)	1
8	233275	Bolt and spring washer assembly - hex head	6
9	408351	Cover - access	1
10	232135	Plug - square recessed - non-magnetic	1
11	231995	Plug - square recessed - magnetic	1
12	466098	Valve assembly - vent	1
13	408984	Lever assembly - gear shift - low, 2nd, 3rd and high speed	2
14	408985	Lever assembly - gear shift - reverse gear	1
15	408541	Seal	3
16	239595	Securing gear shift lever - roll pin 3 x 28	3
17	408409	Lever - transmission gear shift - LH and RH	1
18	410787	Lever - transmission gear shift - LH and RH	1
19	408999	Lever - transmission gear shift - 3rd and high speed - LH and RH	1
20	410785	Lever - transmission gear shift - 3rd and high speed - LH and RH	1
21	408411	Lever - transmission gear shift - reverse gear - LH and RH	1
22	410931	Lever - transmission gear shift - reverse gear - LH and RH	1

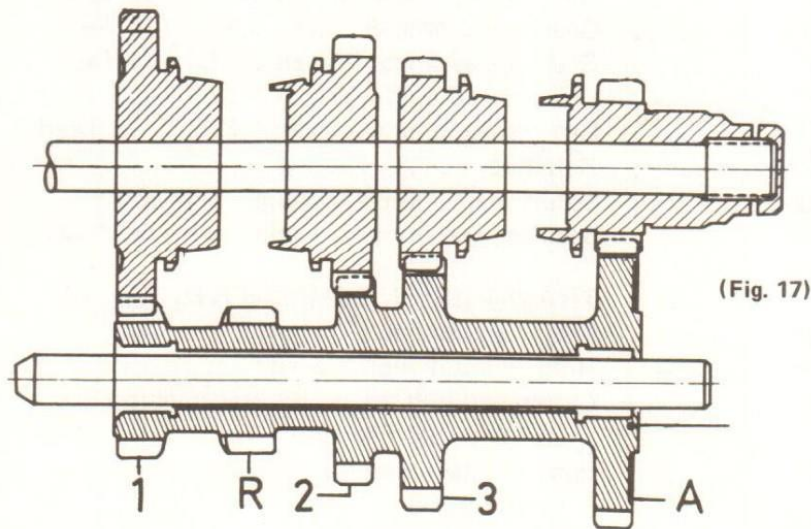


COMPONENTS - 4-SPEED TRANSMISSION FOR FRONT WHEEL DRIVE
(Fig. 16)

REF NO.	PART NO.	DESCRIPTION	QTY.
TRANSMISSION COMPONENTS — Continued			
23	*	Securing gear shift lever - washer - flat	3
24	760797	Securing gear shift lever - lockwasher	3
25	204746	Securing gear shift lever - nut - hex	3
26	428110	Fork - gear shift - low and 2nd speed	1
27	428111	Fork - gear shift - 3rd and high speed	1
28	428112	Fork - gear shift - reverse gear	1
29	408502	Screw - adjusting	3
30	466153	Shaft - gear shift - low and 2nd speed	1
31	466154	Shaft - gear shift - 3rd and high speed	1
32	408727	Shaft - gear shift - reverse gear	1
33	408036	Plunger - gear shift shaft interlock - low, 2nd, 3rd and high speed	2
34	408726	Plunger - gear shift shaft interlock - reverse gear	1
35	408127	Plunger - gear shift shaft	1
36	408348	Plunger - gear shift shaft	2
37	408500	Spring - low, 2nd, 3rd and high speed	2
38	408725	Spring - reverse gear	1
39	240406	Bolt and spring washer assembly - hex head	2
40	*	Setscrew - headless	1
41	408660	Vent assembly	1
42	408661	Plug - rubber	1
43	408022	Gear - speedometer driven 3.50:1 - 15 Teeth	1
	408456	Gear - speedometer driven 3.78:1 - 16 Teeth	1
	408022	Gear - speedometer driven 3.78:1 - 15 Teeth	1
	408456	Gear - speedometer driven 4.125:1 - 16 Teeth	1
	408023	Gear - speedometer driven 4.125:1 - 16 Teeth	1
44	408023	Retainer	1
45	206425	Securing speedometer cable - lockwasher	1
46	202765	Securing speedometer cable - bolt - hex head	1
TRANSMISSION COMPONENTS (Fig. 16)			
1	408310	Shaft - transmission output	1
2	408831	Ring - transmission low and 2nd speed	2
3	408819	Clutch and hub assembly - transmission low and 2nd speed synchronizer	1
4	408832	Plate - transmission low and 2nd speed synchronizer	3
5	548428	Spring - transmission low and 2nd speed synchronizer	2
6	225685	Snap ring - synchronizer clutch hub	1
	231755	Snap ring - 1.57-1.62	1
	231765	Snap ring - 1.635-1.685	1
	231775	Snap ring - 1.70-1.75	1
	231785	Snap ring - 1.765-1.815	1
7	408329	Washer - transmission 2nd speed	1
8	408328	Snap ring - transmission 2nd speed	1

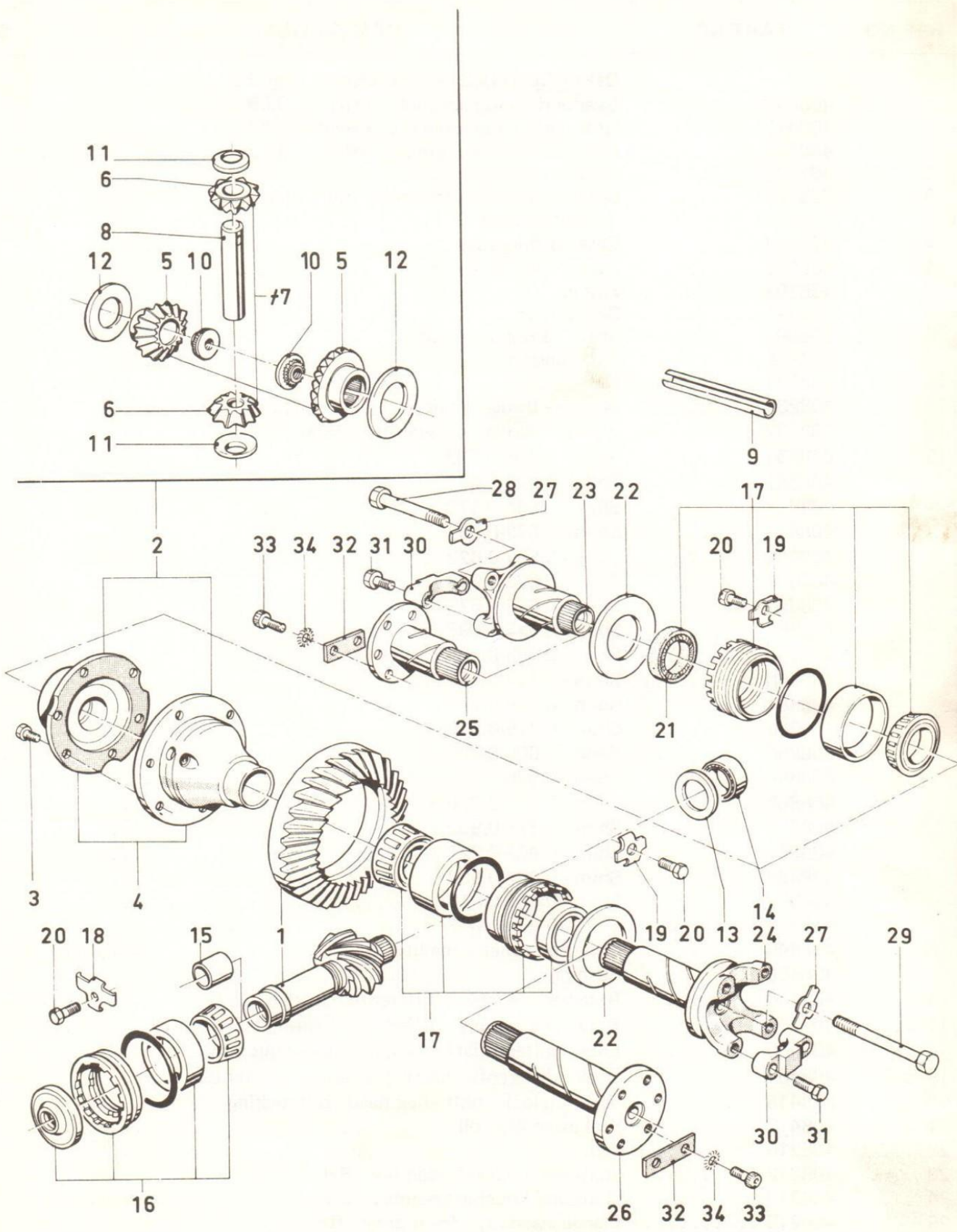
* Not serviced.

REF NO.	PART NO.	DESCRIPTION	QTY.
TRANSMISSION COMPONENTS – Continued			
9	544787	Ring - 3rd and high speed synchronizer blocking	2
10	466169	Synchronizer assembly - 3rd and high speed	1
11	544788	Plate - 3rd and high speed synchronizer	3
12	466156	Spring - 3rd and high speed synchronizer	2
13	408639	Race - transmission	1
14	408976	Bearing - needle	1
15	408609	Bearing - transmission output shaft drive gear - needle	2
16	408338	Bearing - drive gear	1
17	408647	Shaft - transmission input	1
18	225535	Snap ring - input shaft	1
19	408371	Bearing - transmission input shaft pilot	1
20	408346	Countershaft	1
21	438001	Roller - bearing	42
22	418980	Spacer - transmission bearing roller	2
23	226780	Roll pin	2
24	408065	Washer - transmission countershaft	2
25	408762	Gear and bushing assembly - transmission reverse idler	1
26	408931	Shaft - idler gear	1
27	408335	Spacer - idler gear	1
28	225525	Snap ring	1



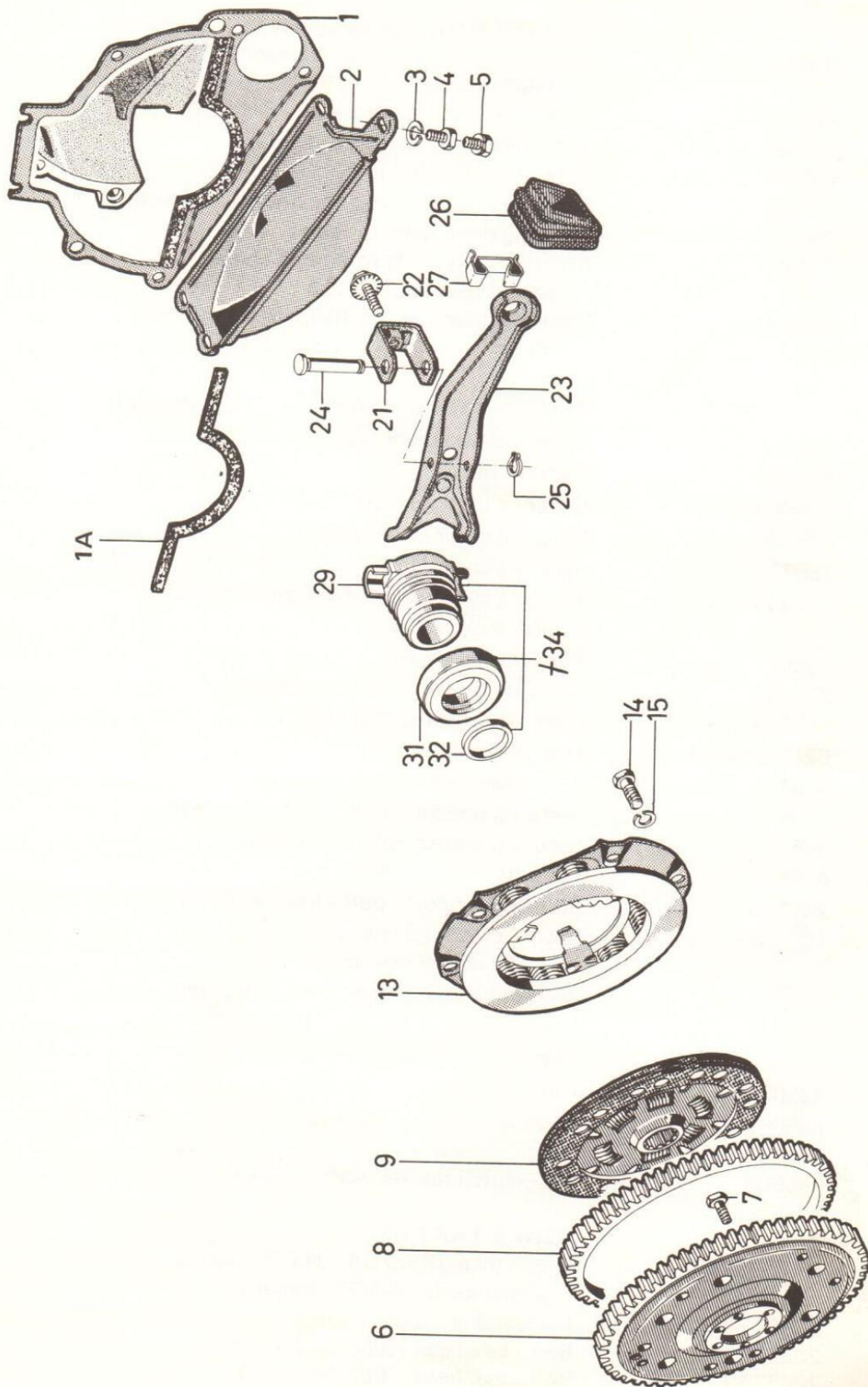
COMPONENTS – 4-SPEED TRANSMISSION FOR FRONT DRIVE (Fig. 17)

466149	Gear - countershaft - No. of teeth: First, 16; Reverse, 14; Second, 24; Third, 29; A, 34	1
466091	Gear - drive - No. of teeth: 19	1
428100	Gear - low speed - No. of teeth: 33	1
466088	Gear - second speed - No. of teeth: 29	1
466089	Gear - third speed - No. of teeth: 24	1



COMPONENTS – DIFFERENTIAL FOR FRONT DRIVE
(Fig. 18)

REF NO.	PART NO.	DESCRIPTION	QTY.
		DIFFERENTIAL COMPONENTS (Fig. 18)	
1	466111	Gear and pinion assembly - driving - 3.56:1	1
	408473	Gear and pinion assembly - driving - 3.78:1	1
	408716	Gear and pinion assembly - driving - 4.125:1	1
2	407774	Differential assembly	1
3	228425	Securing gear to differential - bolt - hex head - self-locking	6
4	428094	Case - differential	1
5	466203	Gear - differential side	2
6	466202	Pinion	2
7	710425	Set - pinion	1
8	428093	Shaft - differential pinion	1
9	227955	Pin - tension	1
10	466131	Nut - special	1
11	408234	Washer - thrust - pinion	2
12	408232	Washer - thrust - differential side gear	2
13	408851	Shim - 0.498-0.518	1
	408852	Shim - 0.523-0.544	1
	408853	Shim - 0.546-0.572	1
	408854	Shim - 0.572-0.597	1
	408855	Shim - 0.597-0.622	1
	408856	Shim - 0.622-0.648	1
	408857	Shim - 0.648-0.673	1
	408858	Shim - 0.673-0.698	1
	408859	Shim - 0.698-0.724	1
	408860	Shim - 0.724-0.749	1
	408861	Shim - 0.749-0.775	1
	408862	Shim - 0.775-0.800	1
	408863	Shim - 0.800-0.826	1
	408864	Shim - 0.826-0.851	1
	408865	Shim - 0.851-0.876	1
	408866	Shim - 0.876-0.902	1
	408867	Shim - 0.902-0.927	1
	408868	Shim - 0.927-0.952	1
	408869	Shim - 0.952-0.978	1
	408870	Shim - 0.978-1.003	1
14	408845	Cone and roller assembly	1
15	408400	Bushing	1
16	466144	Retainer assembly - differential bearing - pinion	1
17	407219	Retainer assembly - differential bearing - differential	2
18	408460	Lock - differential bearing retainer - pinion	1
19	408461	Lock - differential bearing retainer - differential	2
20	228415	Securing lock - bolt - hex head - self-locking	3
21	408412	Seal assembly - oil	2
22	408216	Deflector	2
23	408212	Shaft and knuckle assembly - RH	1
24	408213	Shaft and knuckle assembly - LH	1
25	466218	Flange assembly - front drive - RH	1
26	466217	Flange assembly - front drive - LH	1



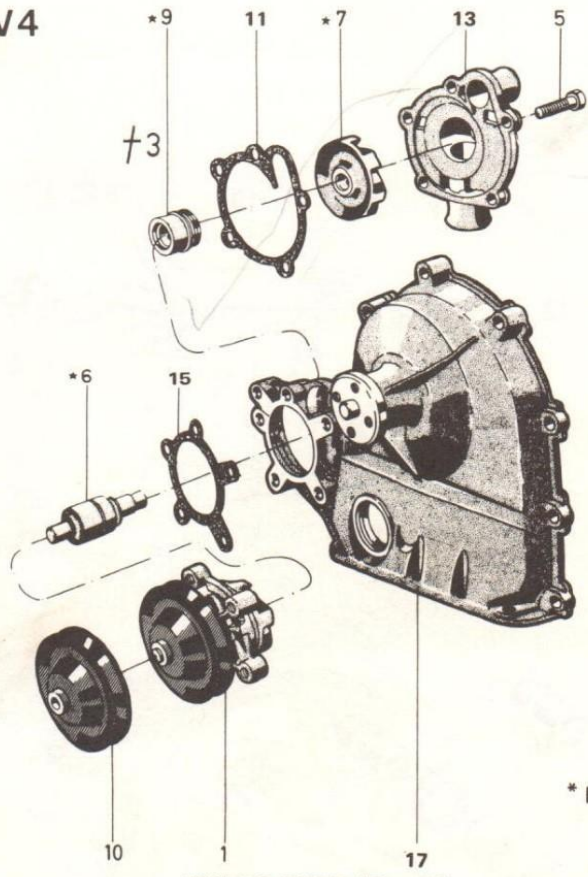
CLUTCH HOUSING AND CLUTCH
(Fig. 19)

REF NO.	PART NO.	DESCRIPTION	QTY.
DIFFERENTIAL COMPONENTS – Continued			
27	408499	Securing shaft and knuckle assembly to flange - plate - locking	2
28	227615	Bolt - hex head - self-locking - RH	1
29	227625	Bolt - hex head - self-locking - LH	1
30	408570	Retainer - universal joint needle	4
31	232059	Securing retainer - bolt - hex head - self-locking	8
32	466216	Securing drive shaft to flange - shim	6
33	240659	Securing drive shaft to flange - screw (socket head cap)	12
34	233459	Securing drive shaft to flange - lockwasher - serrated	12
CLUTCH HOUSING AND CLUTCH (Fig. 19)			
1	440612	Plate - intermediate	1
1a	425206	Gasket - plate	1
2	408663	Cover - clutch housing	1
3	228335	Securing cover - lockwasher	4
4	760777	Securing cover - bolt - hex head - M6 x 15 DIN 933	4
5	239036	Securing cover - bolt - hex head - M6 x 12 with lockwasher	4
6	405071	Flywheel assembly	1
7	225605	Securing flywheel - bolt - hex head	6
8	405073	Gear - flywheel starting ring	1
9	C2UZ-7550-A	Disc assembly - clutch	1
13	436176	Plate assembly - clutch pressure	1
14	236435	Securing pressure plate - bolt - hex head	6
15	34806-S7	Securing pressure plate - lockwasher	6
21	406632	Support - clutch release lever	1
22	238179	Securing support - bolt - hex head	1
23	428056	Lever - clutch release	1
24	407539	Securing clutch release lever - pin	1
25	229230	Securing clutch release lever - ring - retaining	1
26	428010	Boot	1
27	*	Clip	1
29	428023	Hub	1
31	466061	Bearing - clutch release	1
32	558331	Ring - pressed on	1
34	546969	Kit - clutch release bearing repair	1
POWER TAKE-OFF			
	C7JZ-7275-A	Power take-off for SAE No. 5 housing, with spring-loaded 8-1/2" diameter clutch	1
	34807-S7	Lockwasher - 3/8"	8
	20388-S7	Bolt - hex head - 3/8"-16 x 1	6
	20468-S7	Bolt - hex head - 3/8"-16 x 1.50	2

* Not serviced.

REF NO.	PART NO.	DESCRIPTION	QTY.
		POWER TAKE-OFF – Continued	
C2UZ-7550-A	Disc assembly - clutch - use with power take-off and heavy duty 3-speed transmission - 8.50 diameter clutch	1
436176	Pressure plate assembly - clutch	1
236435	Bolt - hex head - M8 x 20 mm	6
34806-S7	Lockwasher - 5/16 Torque to 15 ft-lbs	6
		REAR ENGINE PLATE	
C3JZ-7007-A	Plate - rear engine	1
		CLUTCH DISC AND PRESSURE PLATE ASSEMBLY	
C2UA-7550-A	Disc assembly - clutch - use with power take-off and heavy duty 3-speed transmission - 8.50 diameter clutch	1
1454211	Pressure plate assembly - clutch	1
236435	Bolt - hex head - M8 x 20 mm	6
34806-S7	Lockwasher - 5/16	6
		BEARING – CLUTCH PILOT/NEEDLE ROLLER	
C7JZ-7600-B	Bearing - clutch pilot	1

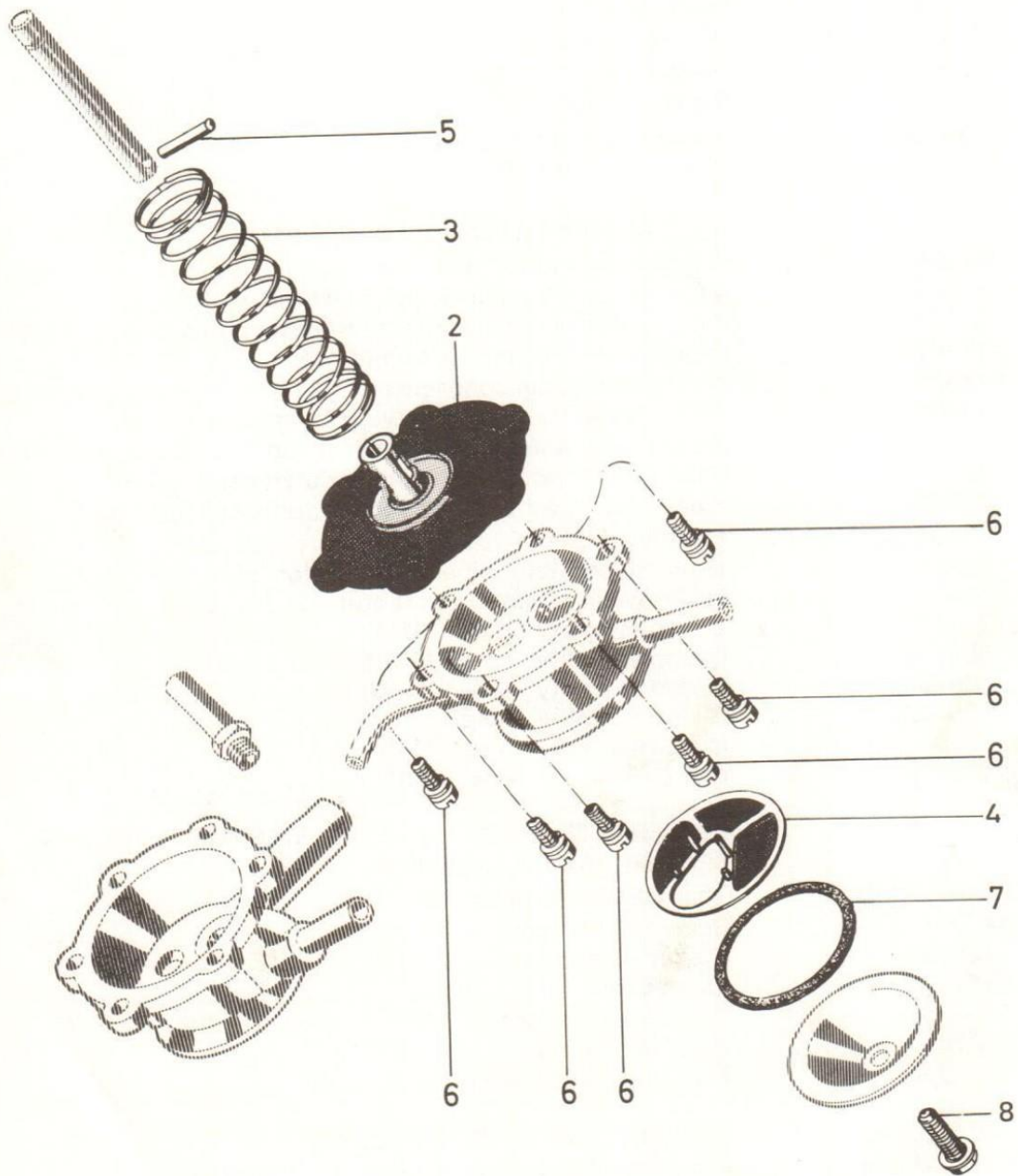
V4



* Part of Kit

WATER PUMP (Fig. 20)

REF NO.	PART NO.	DESCRIPTION	QTY.
WATER PUMP AND REPAIR KIT (Fig. 20)			
1	405398	Pump assembly - water	1
3	405599	Kit - water pump repair	1
5	200916	Bolt - hex head - water pump securing	5
6	405173	Bearing and slinger assembly	1
7	447103	Impeller	1
9	801077	Seal assembly	1
10	405577	Pulley	1
11	405404	Gasket - water pump cover	1
13	447098	Cover - water pump	1
15	405400	Gasket - water pump	1
17	436070	Cover - cylinder timing gear	1
WATER PIPES AND HOSES (Fig. 21)			
1	405325	Connection - water inlet	2
2	448823	Pipe - water inlet connection to water pump	1
3	447102	Pipe - water outlet connection to water pump	1
4	712102	Pipe - water inlet connection to heater	1
5	448959	Hose - water inlet connection	2
6	448960	Hose - lower water pipe to water pump	1
7	447228	Hose - front water pipe to water pump	1
8	447227	Hose - front water pipe to water outlet connection	1
9	712108	Hose - upper, water pipe to water outlet connection	1
10	599438	Hose - carburetor	AR
12	712151	Hose - upper water pipe to carburetor	1
13	710415	Hose - water pump to carburetor	AR
14	1514471	Clamp assembly - hose - 1-1/4"	4
15	1505297	Clamp assembly - hose - 1-7/16"	2
16	239875	Clamp assembly - hose - 28-38mm	AR
17	97355-S8	Clamp assembly - hose - 1"	4
18	622200	Clamp assembly - hose - 13-14mm	4
19	24119	Clamp assembly - hose - 7/8"	4
WATER OUTLET, CONNECTOR, THERMOSTAT, SPACER, HOSES AND PIPES			
	C5JZ-8575-B	Thermostat Assembly - 160°	1
	447098	Cover - water pump	1
	436419	Gasket - thermostat	1
	544434	Connection - water outlet	1
	436416	Elbow (by-pass hose to water outlet)	1
	212265	Plug - M16 x 1.5	1
	87650-S8	Plug - 1/8" x 27 pipe	1
FAN ASSEMBLY AND PULLEYS			
	C7JZ-8600-B	Fan assembly - suction - 5 blade 15" diameter x 1.86 projected height	1
	D0AZ-8546-B	Spacer - fan	1
	34806-S8	Lockwasher - 5/16	4
	300871-S	Bolt - hex head	4
	EDG-8509-T	Pulley - fan 5.50" nominal diameter	



REPAIR KIT - FUEL PUMP
(Fig. 22)

REF NO.	PART NO.	DESCRIPTION	QTY.
		FUEL FILTER ASSEMBLY	
	C6JZ-9511-B	Fuel filter (consists of 1 filter, 2 fuel lines, and 4 clamps)	1
	C3JZ-9180-A	Bracket - fuel filter	1
	C7JZ-9369-D	Tube assembly - filter to carburetor	1
	202025	Bolt - hex head	1
	206446	Lockwasher	1
	C9JJ-9232-B	Connector - distributor vacuum	1
	C9SB-6522128-A	Hose - vacuum tube (connecting carburetor and distributor)	1
	87299-S	Fitting - male elbow 1/8" x 7/16"-20	1
		FUEL PUMP, FUEL FILTER KIT AND MOUNTING PARTS	
	712073	Pump assembly - fuel	1
	200516	Bolt - hex head - fuel pump securing	2
	34806-S8	Washer - fuel pump securing bolt	2
	405219	Rod - push	1
	710354	Kit - fuel filter	1
		FUEL PUMP REPAIR KIT (Fig. 22)	
1	710189	Repair kit - fuel pump	1
2	634366	Diaphragm - fuel pump	1
3	446068	Spring - fuel pump diaphragm	1
4	557114	Strainer - fuel pump	1
5	407171	Pin - coupling	1
6	227645	Screw and lockwasher assembly	6
7	557115	Gasket	1
8	239785	Bolt and gasket assembly	1
		CARBURETOR — 104 CID ENGINE	
	C7JZ-9510-S	Carburetor assembly - 1V manual choke (Zenith No. 13366)	1
	444631	Gasket - use between spacer and manifold	1
	C7JZ-9485-A	Spacer - carburetor	1
	C6JZ-9484-B	Screw - socket head - spacer to manifold M8 x 15	2
	C5NE-9447-A	Gasket - use between spacer and carburetor	1
	88392-S8	Stud - 3/8"-16 x 1.50	2
	34370-S8	Nut - 3/8"-16 hex lock	2
		AIR CLEANER, OIL BATH — REMOTE MOUNTING 140 CFM AND CARBURETOR AIR HORN — POWER UNIT	
	B8P-9600-A	Air cleaner assembly	1
	B8P-9628-A	Band assembly - air cleaner	2
	C7JZ-9652-C	Hose - air cleaner to air horn 2" ID x 9" long	1
	20346-S8	Bolt - hex head - 5/16"-18 x 3/4	4
	33797-S8	Nut - hex 5/16"-18	4

REF NO.	PART NO.	DESCRIPTION	QTY.
		AIR CLEANER, OIL BATH – REMOTE MOUNTING 140 CFM AND CARBURETOR AIR HORN – POWER UNIT – Continued	
	34806-S8	Lockwasher - 5/16	4
	B7A-8287-B	Clamps	2
	C9JJ-9520-A	Horn assembly - carburetor air	1
	7HT-9654	Gasket - air cleaner to carburetor	1
	C9JJ-6853-A	Hose - LH rocker cover to air horn/emission	1
	546959	Cap - RH rocker cover vent hole	1
	97331-S	Clamp - emission	2
		THROTTLE CONTROL ASSEMBLY – VERNIER 33 LONG REAR PANEL MOUNTING WITH MECHANICAL GOVERNOR	
	C6JZ-9775-J	Throttle control vernier	1
	C6JZ-9740-A	Clevis assembly	1
	44719-S8	Washer - 1/4" flat	1
	72015-S8	Cotter pin - 1/16" x 3/4"	1
	73879-S8	Clevis pin - 1/4" x 13/16"	1
		OIL FILTER AND CRANKCASE VENTILATION SYSTEM	
	436616	Cap assembly - oil filler and breather	1
		OIL PRESS SENDER SWITCH ASSEMBLY – 12V, 1/4"-18	
	B6AZ-9278-B	Switch assembly - oil press sender	1
		GENERATOR ASSEMBLY AND MOUNTING PARTS	
	C3JF-10002-A	Generator assembly - 15 volts 20 amps - less pulley	1
	B9MM-10170-A	Shield - generator splash	1
	74175-S	Key - woodruff	1
	C3JZ-10130-B	Pulley - generator	1
	C3JZ-10156-A	Bracket - generator front	1
	202776	Bolt - hex head (metric) - M8 x 1.25 x 18" long dim. 933	2
	34806-S7	Lockwasher - 5/16" - attach bracket to cylinder head	3
	C3JZ-10151-A	Bracket - generator rear	1
	20410-S8	Bolt - hex head - 7/16"-14 x 1-1/8"	1
	43044-S8	Bolt - 7/16"-14 x 1-1/2"	1
	34808-S7	Lockwasher - 7/16"	2
	34670-S	Nut - 7/16"-4	2
	B6T-10145-A	Arm - generator belt adjusting	1
	44724-S7	Washer - flat	2
	20466-S8	Bolt - hex head - 5/16"-18 x 1.50	1
	33797-S8	Nut - hex - 5/16"-18	1
	44727-S8	Washer - 3/8" flat	1
	34807-S7	Lockwasher - 3/8"	1
	20388-S8	Bolt - hex head - 3/8"-16 x 1	1
	C9PZ-8620-GK	Belt - 15/32" x 42.28 normal; 15/32" x 43.00 OC	1

REF NO.	PART NO.	DESCRIPTION	QTY.
		REGULATOR – GENERATOR – 15 VOLT, 25 AMP	
	CONF-10505-A	Regulator - generator	1
		STARTER (EXTERNAL SOLENOID TYPE) AND ATTACHING HARDWARE	
	1516027	Starting motor and drive assembly	1
	214086	Nut - M8	1
	34806	Lockwasher - M8	1
		COIL ASSEMBLY – 12 VOLT – NEGATIVE GROUND WITH INTERNAL PRIMARY RESISTOR	
	B6T-12029-A	Coil assembly - ignition	1
	C0AF-12043-A	Strap - ignition coil	1
	33133-S8	Screw - 10-16 x 3/4" tapping	1
	352628-S8	Bolt - hex head - 5/16"-24 x 7/8	2
	34806-S7	Lockwasher - 5/16"	2
	33798-S8	Nut - hex - 5/16"-24	2
	8EQ-12298	Wire - high tension	1
	34079-S8	Nut - 10-32	2
	34803-S8	Washer - No. 10	2
	C5JZ-14497-A	Wire assembly - distributor to coil	1
		SPARK PLUGS, WIRING AND BRACKET ASSEMBLY	
	C4JZ-12280-A	Wiring and bracket assembly - spark plugs - RH	1
	C3JZ-12281-B	Wiring and bracket assembly - spark plugs - LH	1
	448337	Spark Plugs - AGR 32	4
		DISTRIBUTOR (Fig. 23)	
1	447068	Distributor assembly - with wire round plug	1
2	710254	Housing assembly - distributor terminal	1
3	447077	Clip	2
4	447084	Plate assembly - distributor breaker	1
5	447081	Cam assembly	1
6	447085	Bushing	1
7	447071	Condenser assembly	1
8	436518	Spring - weight - with oblong eye	1
9	444975	Spring - weight - with round eye	1
10	447088	Unit assembly - vacuum	1
11	425587	Securing distributor - clamp	1
12	229366	Securing distributor - bolt and lockwasher assembly	1
13	*	Gear	1
14	231275	Securing gear - pin - roll	1
15	694577	Brush assembly - distributor housing	1
16	425981	Rotor assembly	1
17	464163	Set - distributor contact - adjusted	1
18	436850	Weight	2
19	548363	Locking ring - cam	2
20	548362	Locking ring - weight	1

* Not serviced.