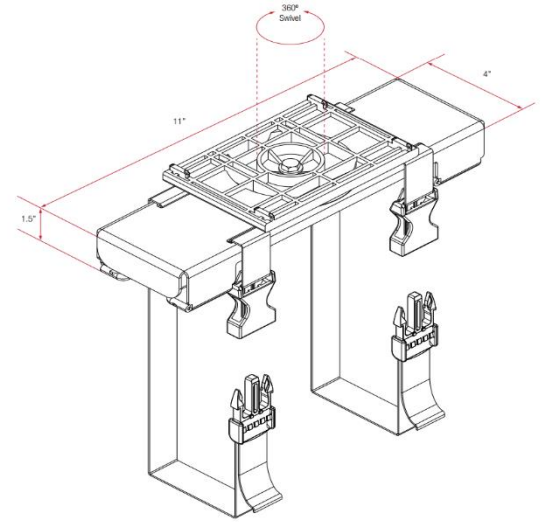




UACPUDS-17 CPU Holder



Our **UACPUDS-17 CPU Holder** is a streamlined and adjustable device with an innovative strap support design. This enables the CPU to be off the floor or desking surface to create a space-saving solution. Users also benefit by its easy accessibility – *especially important for height adjustable desks*.

Note: When attaching the CPU Holder to one of our UpDown Desks, it's recommended that the width adjustable base frame be reduced 4" at one end so the CPU Holder can fit under the top outside of the frame.

** Shipping included anywhere in continental USA

Features

- CPU retracts on a 17" track and swivels to allow full accessibility and easy storage
- Accommodates CPU's weighing up to 75 lb and measuring 64" in perimeter
- Installation is quick and easy as straps adjust and fasten with buckles
- Soft touch anti-slip pads protect the CPU
- Width Adjustment - 2.5" minimum / Weight - 4 lbs. / Weight Capacity - 75 lbs. / Swivel - 360° / Track Size - 17

Benefits

- Frees up floor or desk space and makes for a safer work environment
- CPU follows height adjustable desk as its height changes
- Flexible, strong and versatile
- Can be adjusted for most CPUs
- Supports rectangular and curved CPUs

Important Note:

When attaching the CPU Holder to one of our UpDown Desks, it's recommended that the width adjustable base frame be reduced 4" at one end so the CPU Holder can fit under the top and outside of the frame.