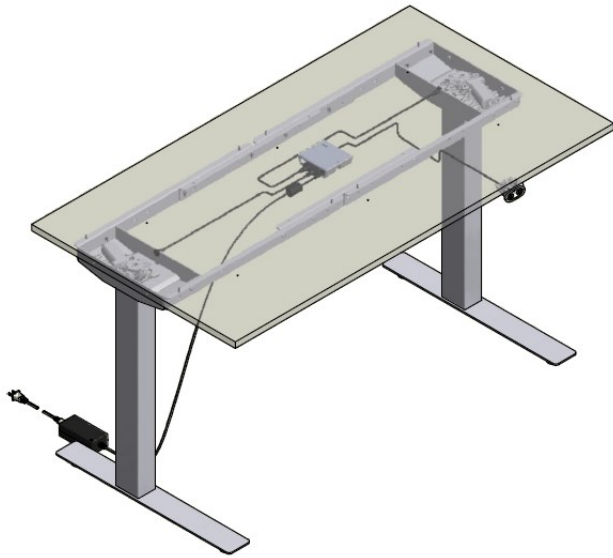
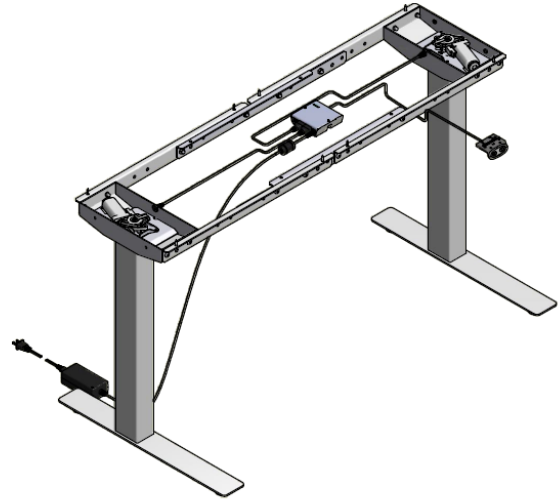


OVERTURE
ASSEMBLY INSTRUCTIONS UBEP470CE

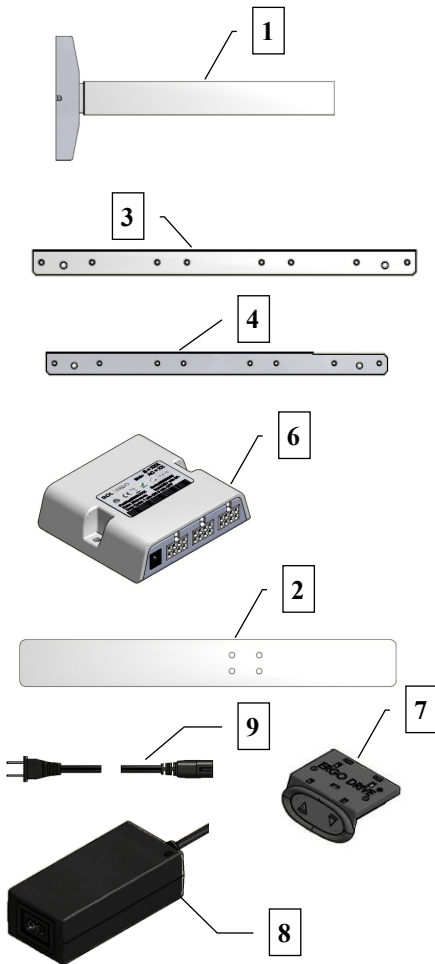
Complete product with top



Complete product



Note that these instructions show generic parts. Parts included in individual tables may differ in appearance and functionality but the assembly principle is the same.



POS	Part Number	Description	Qty
1	68000732	Stand ED 470 Large Leg Down	2
2	68002505	Foot ES L=600 Off-Centered w/Adj.	2
3	68000185	Crossbar ES L=605	4
4	68002196	Crossbar Short ES	2
5	63400413	Hardware Kit Ergo SD	1
6	68003668	ECS + Controlbox 470 AC ON	1
7	63400244	Handset Basic for ECS+	1
8	68002264	Power Supply Output 29V Input 110V	1
9	68002262	Cable USA 2-pol IEC C7 DIN 57625	1
	68003024	Motor Pack Bosch w Pad	2
	68004670	Warning Leaflet Electric EN/ES	1
	68007252	Assembly Instruction ED ECS+	1

OVERTURE
ASSEMBLY INSTRUCTIONS UBEP470CE

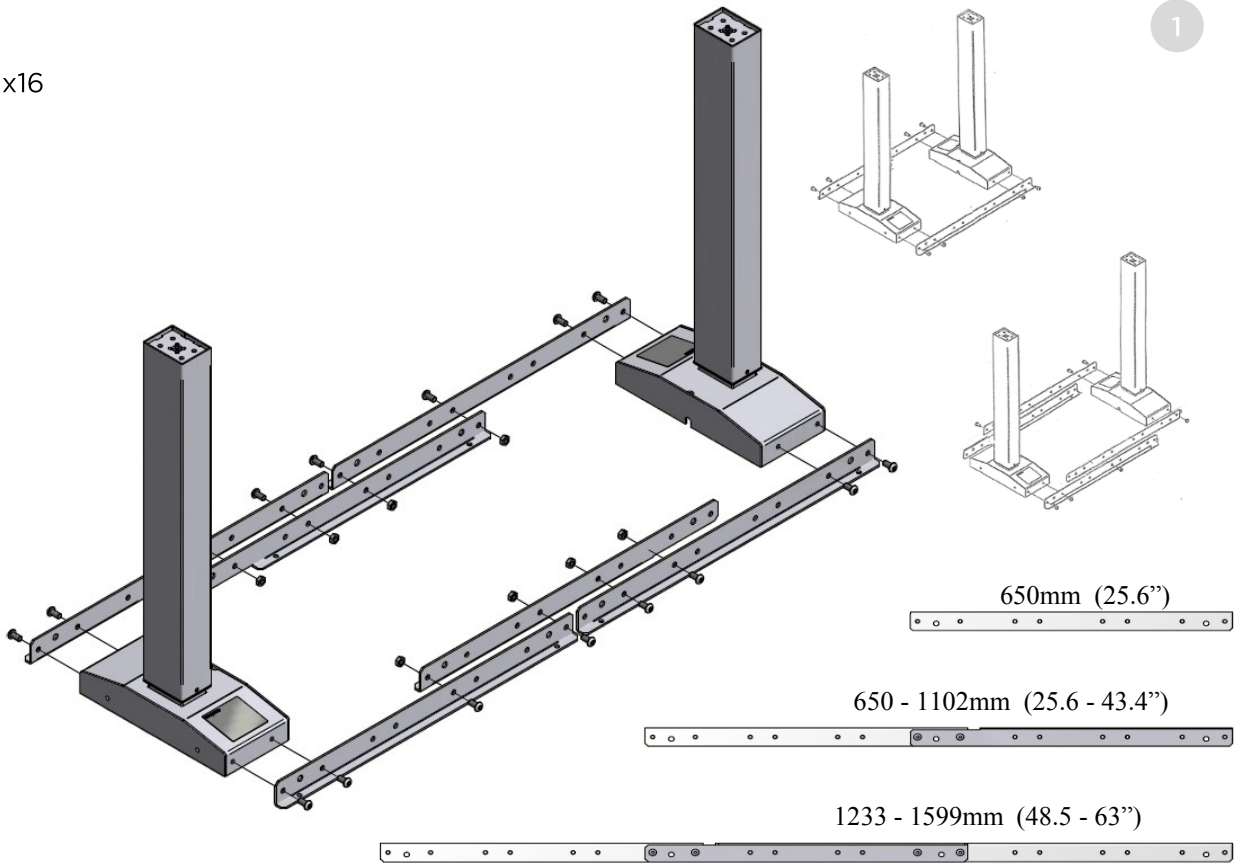
1



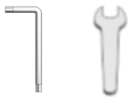
M8x16 x16



M8



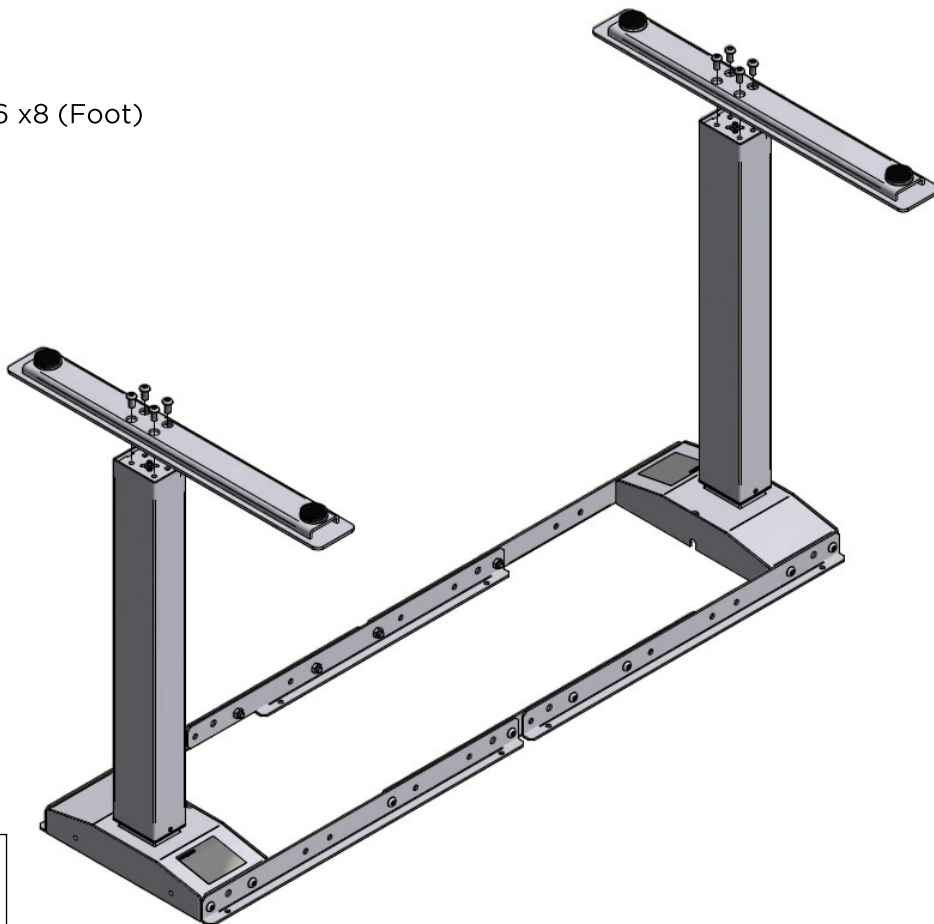
Tools:



2



M8x16 x8 (Foot)






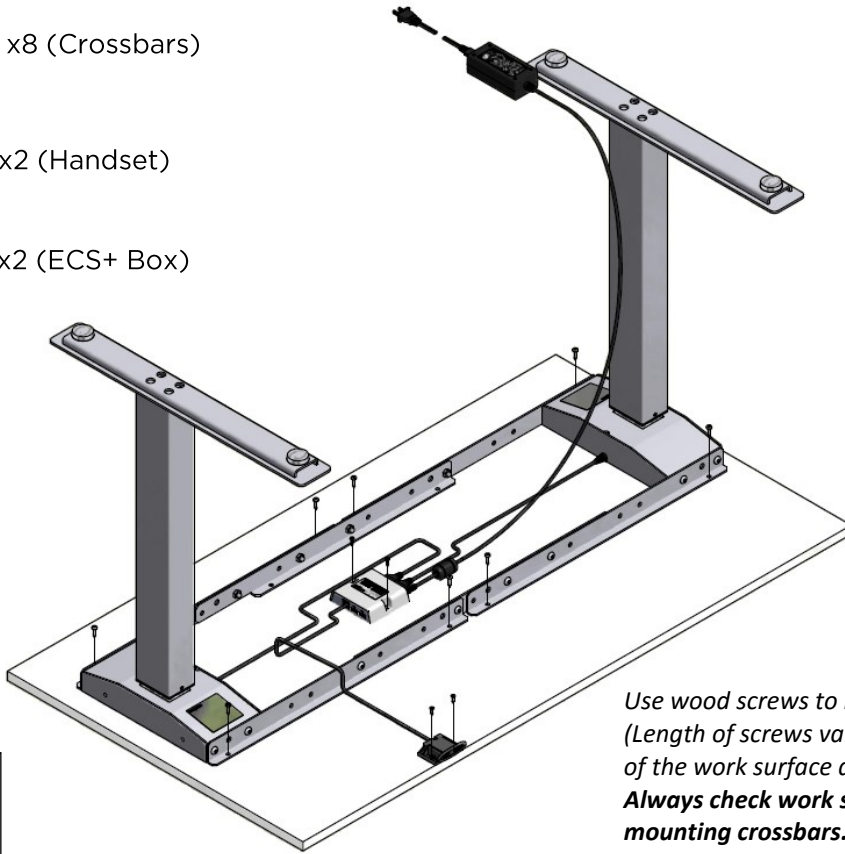
Tools:



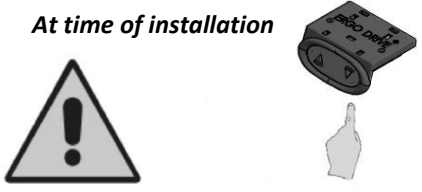
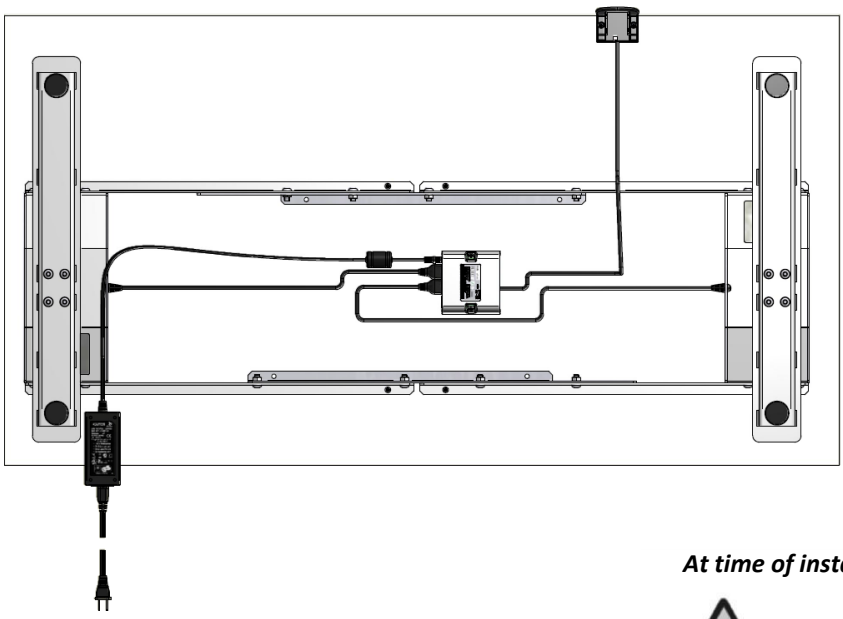
OVERTURE
ASSEMBLY INSTRUCTIONS UBEP470CE

3

-  4,5x20 x8 (Crossbars)
-  3,5x16 x2 (Handset)
-  3,5x16 x2 (ECS+ Box)



4



- 1 - Drive columns down to the lowest level
- 2 - Ready to use