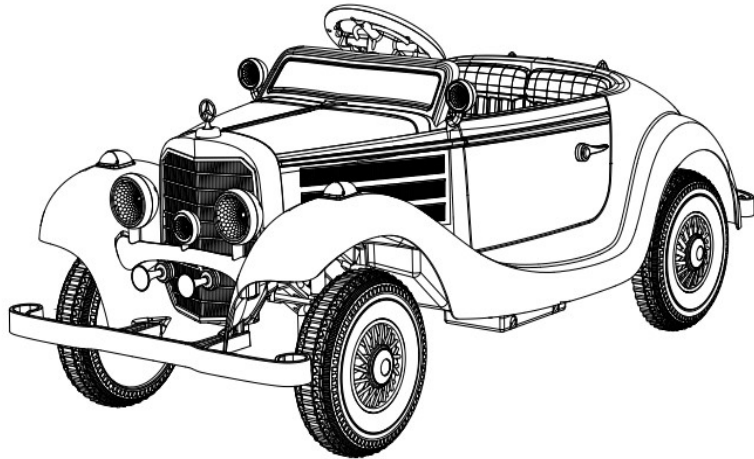


Instruction Manual

KKMB-008

Mercedes Benz Type 540K

Official Licensed Product



Picture for reference only.

Please refer to real object.



- ◆ Please read the manual carefully before assembling;
- ◆ Keep the manual safely for future reference;
- ◆ The manual is for assembling and reference only. Details may possibly be improved and updated, including structure, appearance, packing, functions, and etc. Please refer to the real object as standard if there is something different from the manual.

1. Before Assembling

Warning!

Choking Hazard: Small parts, Not for children under 3 years. Dispose of plastic bags carefully.

Adult assembly required. Use care when unpacking as components to be assembled may pose small parts/sharp edge hazard. Check if charger is in good condition, including the wire, socket, and all details. Stop use it if it looks broken in any way until fixed.

Tools required (self-provided):



Phillips screwdriver



socket wrench

2. Specifications:

Motor: 12V/540(12000rpm) * 2 /540(12000rpm) * 4

Battery: 12V7ah * 1/ 12V10ah/12V14ah*1

Charger: 12V1000mA/12V1500mA

Max Speed: 5-7 km/h

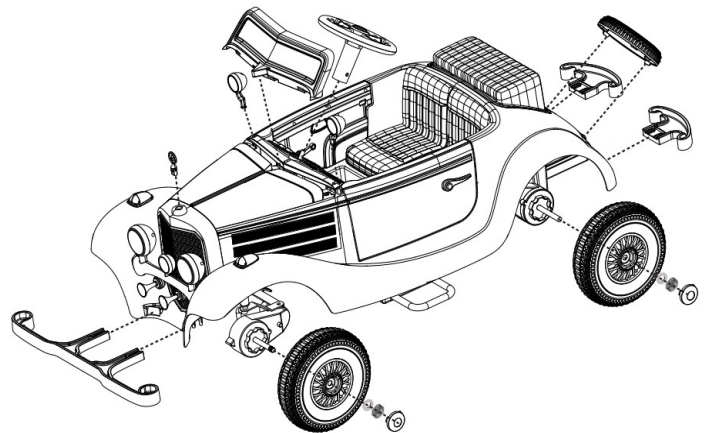
Suitable Age: 3 years+

Maximum Loading Capacity: 30 kg

Item size: 1380×590×560 MM

Charging time: 8-12 hours

Battery life: 300 times charge & discharge



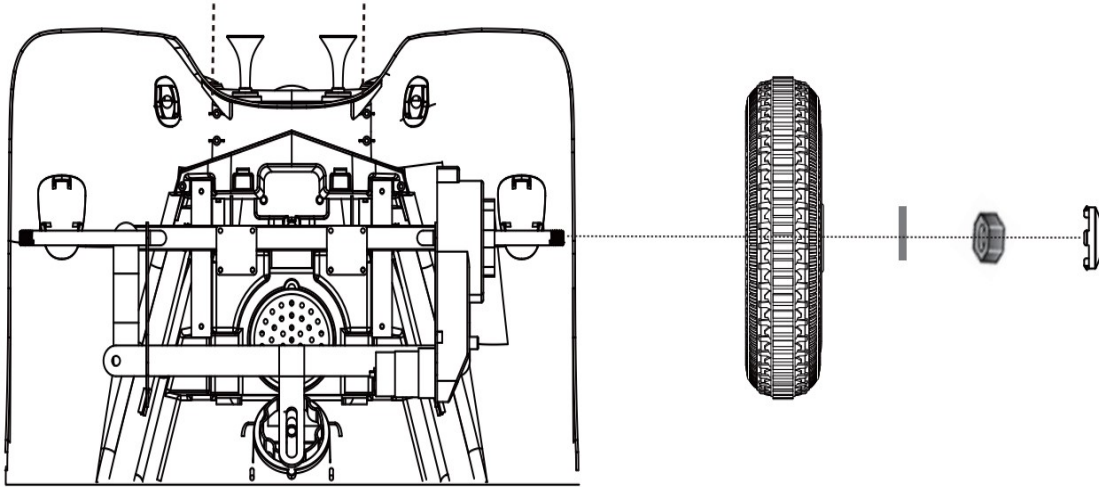
3. Exploded View and Parts List.

No.	Parts Name	Qty	No.	Part Name	Qty
1	Body	1	9	Plastic wrench	1
2	Steering Wheel	1	10	Decoration spare tire	1
3	Front decoration light(L/R)	2	11	Screw kit	1
4	Motor Assembly	2/4	12	Manual	1
5	Windshield	1	13	Front bumper	1
6	Front wheel	2	14	Rear bumper(L/R)	2
7	Rear wheel(driving)	2	15	Charger	1
8	Wheel cover	4	16	Remote control	1

Note: some parts need to be attached from 2 sides.

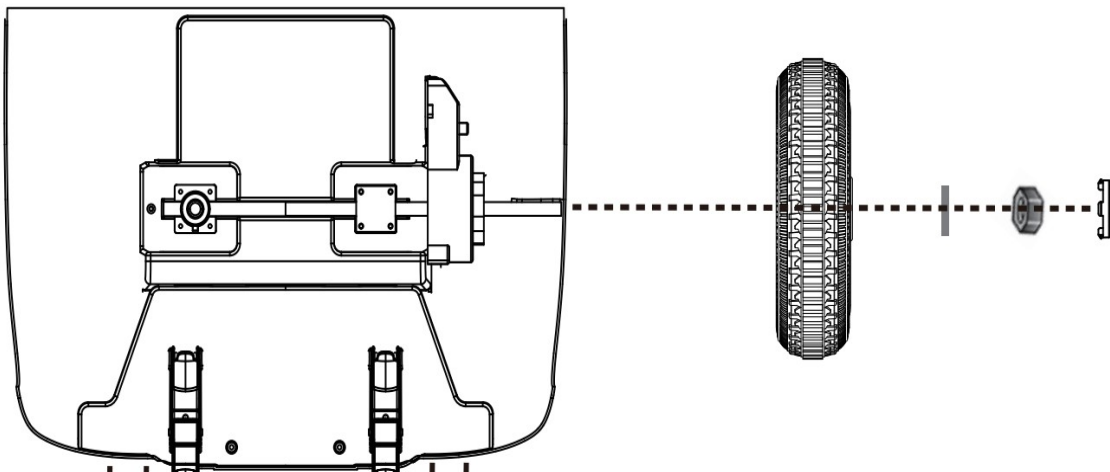
Screw Kit			
	parts	qty	Where to use
A	tapping screw 4x14	4	Rear bumper
B	tapping screw 4x14	4	Front bumper
C	tapping screw 4x14	1	Spare using

4. Front/rear wheel assembly.



A. Front wheels: As the picture shows, place the washer on the axle and then wheels, washer, one by one, then secure the wheel using the M10 lock-nut, fix the wheel cover onto the wheels accordingly and lock it onto the wheel using plastic clips.

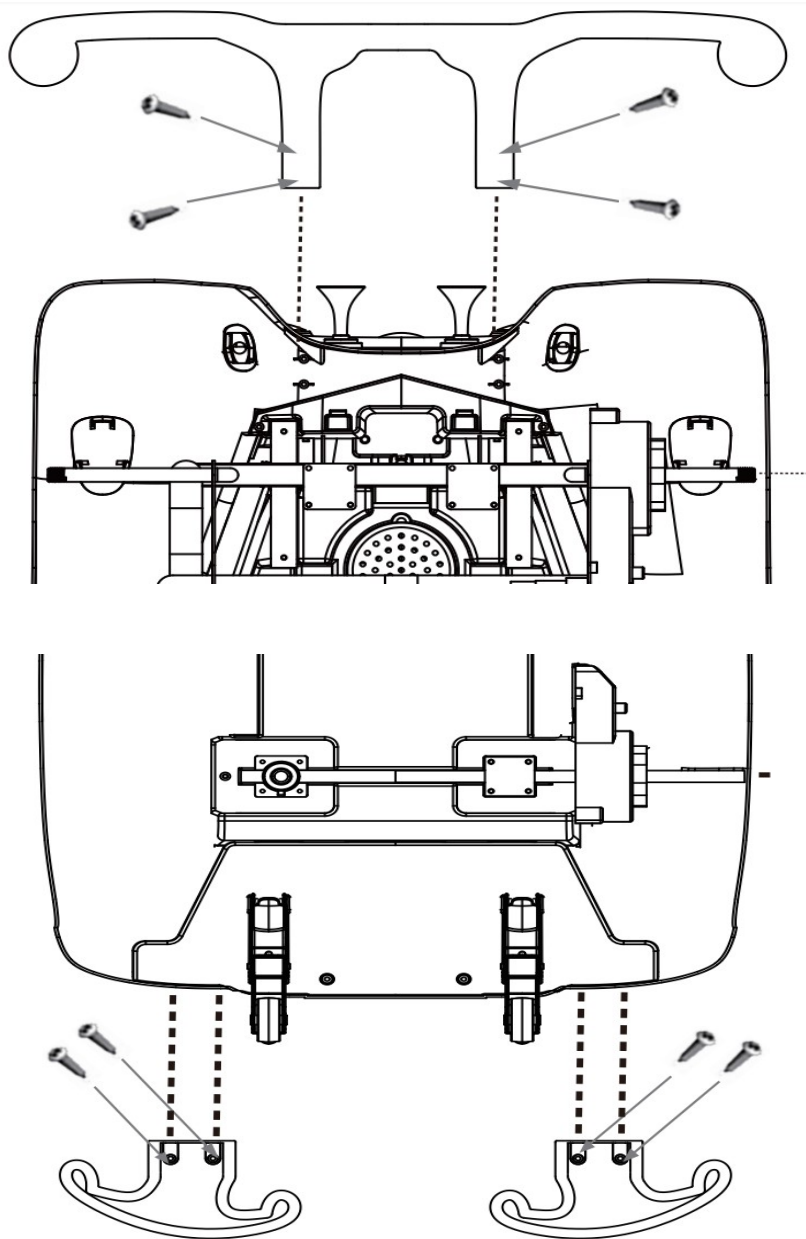
B. Rear wheels: Assemble the motor, driving wheel, washer, and then secure the M10 lock-nut in order. Fix the wheel covers onto the wheels accordingly and lock it onto the wheel using plastic clips.



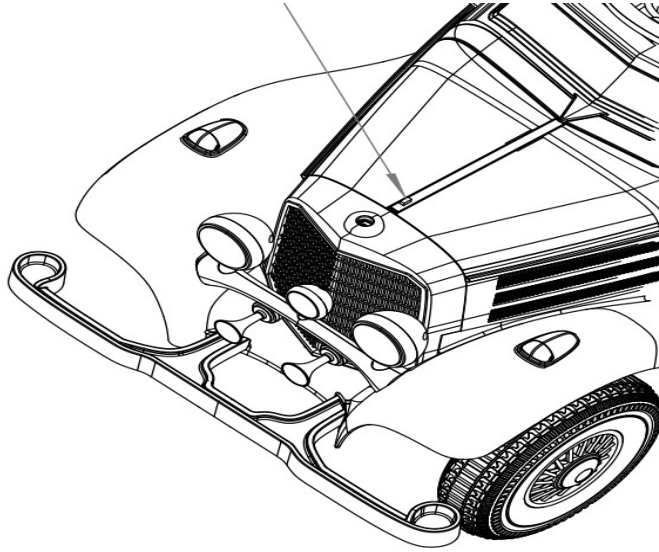
5. Front and rear bumper assembly.

A. Insert the front bumper to the front part of the car accordingly, then tighten it with 4X14 screws;

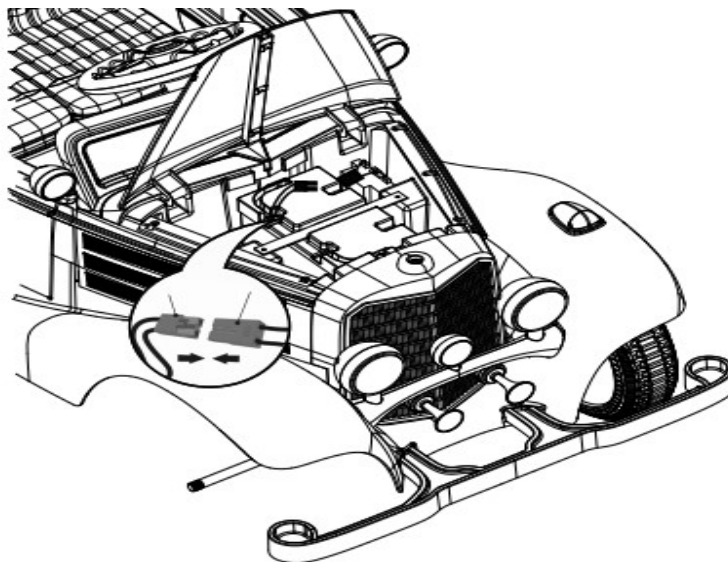
B. Insert the rear bumpers(left & right) to the rear part of the car body accordingly, then tighten with 4X14 screws;



6. Hood opening, and battery cable connecting.

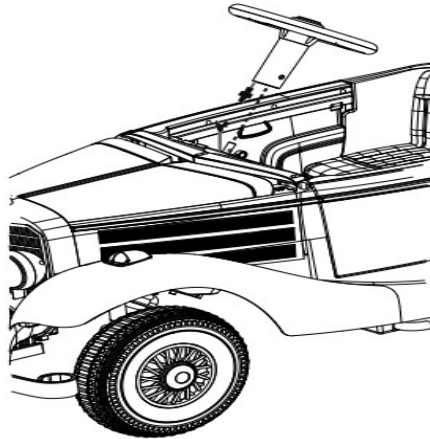


A. As the picture shows, press the hood button, and move it toward front side of the car, the hood will then open. The button will be moved back when closing the hood.

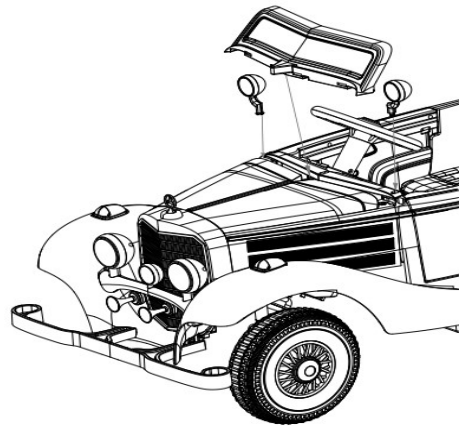


B. The battery is under the hood. Connect the battery wire terminals by color to color.

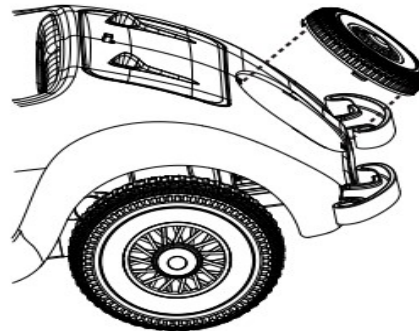
7. Steering wheel/windshield/decoration light and spare tire.



A. Connect the wire of the steering wheel with the wire from the steering column, then insert the steering wheel onto the steering rod directly;

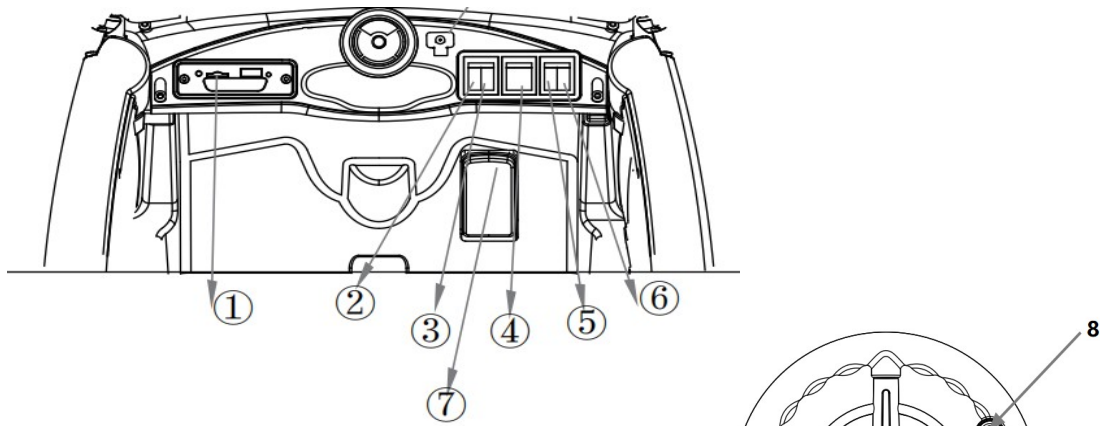


B. As the picture shows, put the windshield and front decoration light onto right position and press it until it is locked by the clips.

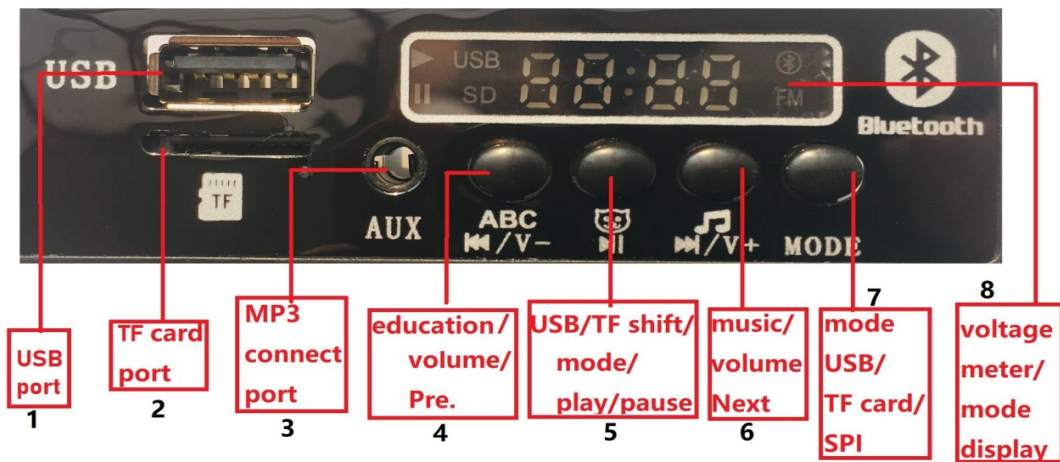


C. As the picture shows, put the rear spare tire onto right position, then press until it is locked by the clips.

8. Function Diagram



- 1、 Multifunctional control board;
- 2、 Power switch;
- 3、 High/Low speed switch;
- 4、 Mode button: kid mode/parent-kid mode;
- 5、 Forward /reverse switch;
- 7、 Pedal accelerator switch: pedal to move, release it to stop the car gradually.
- 8、 Steering wheel accelerating button switch(useful only in parent-kid mode)
- 9、 Car horn;

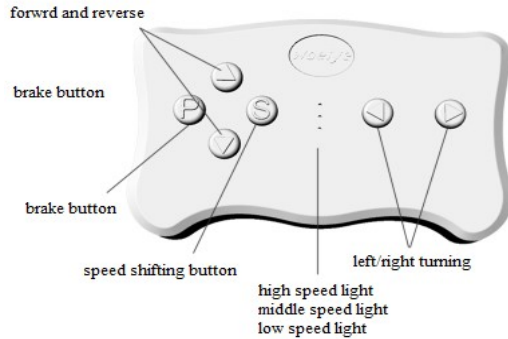


1. USB port: play music files from a USB device.
2. TF card port: play music files in TF card device.
3. AUX port: to connect MP3 device or mobile to play music files.
4. Education files play button & previous track(short press)/volume down(long press)
5. Stories play button / play or pause button in USB/TF card mode
6. Music play button & Next track(short press)/volume up(long press)
7. Mode button: shift mode from bluetooth to USB mode.
8. Voltage meter display & mode display

Put a USB device or TF card to play, other playing files will be stopped.

9. Functions of Remote:

Note: Use screwdriver to remove screw and open battery cover, install 2 pc AAA 1.5V battery, and attach cover with screws.



Warning !

**Remote is for adult using
only. Kids are prohibited to
use remote.**

The car has remote priority function: while it is controlled by the remote, the pedal switch does not work; Disconnect the remote, the pedal switch will then work.

Remote: Open the battery holder and put in 2 pcs AAA batteries. Once batteries are installed frequency light and speed light should be on. Please note, batteries are not included

- 1) . Pairing procedure: Press & Hold the frequency button. The low speed light should flash. Turn the car on, the light on remote should become solid once paired. If light continues to flash remove batteries and restart this step.
- 2) . Braking Button: press the braking button, the car stops and will not move. Press it again, braking function is released.
- 3) . Speed button: Press S button to change speed. Press the button to cycle through high, medium, and low speed. The lights will show the current speed setting. Notes: Speed shift for forward only.
- 4) Forward/reverse button: This will control the car to move forward and reverse. Press 1 button, the car will move as ordered, and the car will accelerate gradually to set speed, to avoid sudden shock from speed-up.
- 5) Turning right/left button: This will turn the steering wheel right or left.

Special note:

The remote has energy-saving function. If the remote is idle for 10 seconds it will turn off and the lights will be off. Press any button to wake the remote.

10. Warnings & Safety Alert:

Warning!

- Choking Hazard: Small parts, Not for children under 3 years.
- Dispose of plastic bags carefully. These can be dangerous to kids.
- Adult assembly required. Use care when unpacking as components to be assembled may pose small parts/sharp edge hazard.
- Check if the charger is in good state, including the wire, socket, and all details. Stop use it if it looks broken in some way, until fixed.

Don't drive in below areas:

1. Grass, by the river, not flat road, and slope area;
2. Public roads with other vehicles or pedestrian areas;
3. Where it's possible to hit other objects;
4. Other not safe areas.
5. Don't drive in dark evening and night.
6. Don't drive in rain or snow. Don't drive if age or weight is not proper.



11. Special Notes before Charging:

Charging must be done by adult. Children are prohibited to touch charger and battery.

Warning!

1. Only appointed battery and charger brand are allowed to use to the car.
 2. Don't use the car's battery or charger to other products.
 3. Don't change the structure or cable lines.
 4. Don't connect the positive pole and negative pole by tools.
 5. Always keep the battery dry.
 6. Keep the battery away from fire or smoking, especially while charging.
 7. Charge the car in dry and well-ventilated places.
 8. Don't open the battery & charger.
 9. Don't put the battery upside down.
 10. Don't charge if something wrong with the charger.
 11. Battery heats while charging but stop and check it if it's too hot.
 12. Always keep the battery fastened well.
 13. Keep it fully charge if not using, and 1 time per month.
 14. Charger and battery are not toys.Keep them away from Children.
- Switch of the car while charging.
 - Charge the car for 4-6 hours before 1st time using but no more than 10 hours
 - Charge the car each time if the speed gets lower after using.
 - Charge the car 8-12 hours every time after using but no more than 20 hours.

12. Warning on battery & charging!

1. Don't change the structure and electric cables. Repairing must be by professional staff.
2. Don't use it in other functions.
3. Connect the battery in right order.
4. Don't connect battery in short circuit.
5. Non-rechargeable battery can't be charged.
6. Charging must be arranged by an adult, or with their supervision.
7. Don't mix different types of batteries in one car.

13. Fuse Maintenance:

Inspect the charger carefully regularly to check if everything is OK.

If there is somewhere with any problem, stop using until repaired.

Fuse: The car has a self reset fuse. When it's over loaded or used improperly, the fuse will power off the car for 15-20 seconds, and then reset it. It's installed under the seat.

To avoid related troubles from the fuse

- 1) Don't load over 100 kg
 - 2) Don't tow anything behind the car.
 - 3) Don't expose wires and electric parts to water or other liquids.
 - 4) Don't change or modify the electric system and structure.
-
- Inspect the charger carefully regularly to check the condition. If there is any problem, stop using until repaired.
 - Lubricate moving metal parts with lubricating oil after a long period of use to avoid abrasion and rust.
 - The car should be stored away from fire and direct sunlight. Do not store upside down. Place the car indoors or cover with a tarp during wet weather.
 - The car should be kept away from heat sources such as oven or heater, to avoid damaging the plastic parts. Keep the car away from flammable items to avoid fire.
 - To maintain the battery, charge it after each use; Charging must be done by an adult; Always keep the car fully charged prior to storing away, and continue to charge once a month to maintain battery.
 - Clean the car with dry cloth. Don't use chemical liquids to clean. Don't use soap and water to clean. Don't drive the car in raining or snowing weather, this could cause damage to the electrical components.
 - Power off the car if being stored for a long time.
 - Use the proper fuse for this car.
 - Don't change the cable lines or structures. Repairing must be completed by professional staff.

14. Trouble Shooting

Troubles	Inspections	Solutions
Motor not rotating	<ol style="list-style-type: none"> 1. Check if fuse disconnected? 2. Check if pedal switch in poor contact. 3. Check if motor terminal connected. 4. Check if motor lead wires connected. 5. Connect motor & battery, check if OK. 	<p>Yes, restart the car;</p> <p>No, check the next;</p> <p>Yes, repair the contact.</p> <p>No, check the next;</p> <p>No, connect it.</p> <p>Yes, check the next;</p> <p>No, connect it.</p> <p>Yes, check the next;</p> <p>No, change the motor;</p> <p>yes, control board broken.</p> <p>Contact support team.</p>
Only forward or only reverse	<ol style="list-style-type: none"> 1. check if forward/reverse switch well connected. 2. Check if all cables are well connected. 	<p>No, change the switch;</p> <p>Yes, get to the next;</p> <p>No, connect them;</p> <p>Yes, control board broken. Contact support team.</p>
Over low speed	<ol style="list-style-type: none"> 1. Check the battery voltage? 2. Check if the speed is faster if connect the motor to the battery directly? 	<p>No, charging; yes, get to the next.</p> <p>Yes, control board need to be repaired. Contact support team.</p>
No feedback from car to remote	<ol style="list-style-type: none"> 1. Check if braking works. 2. Check if remote with battery. 3. Check if receiving cables well connected. 	<p>No, press braking to relief brake;</p> <p>Yes, normal.</p> <p>Yes, connect it ; No, install battery.</p> <p>No, connect all cables again.</p> <p>Yes, Normal.</p>
Ineffective charging	<ol style="list-style-type: none"> 1. Check if battery cable connected. 2. Check if charger get heated while charging. 	<p>No, connect them.</p> <p>Yes, get to the next.</p> <p>No, broken charger.</p> <p>Contact with the seller.</p>
No sound and light.	<ol style="list-style-type: none"> 1. Check if sound & light switch well connected? 2. Check if all cables well connected from 	<p>No, change a new switch;</p> <p>Yes, check the next.</p>

	the battery to other parts of the car.	No, reconnect them.
Wheels no turning	<ol style="list-style-type: none"> 1. Check if the driver is over 100 KG. 2. Check if road is not flat. 3. Check if free wheel turning OK. 	<p>Yes, normal; No, get to next.</p> <p>Yes, normal, the car moves normal on flat road. No, get to next.</p> <p>Yes, the wheels and axles are OK.</p>
The car stops once a while	<ol style="list-style-type: none"> 1. check the battery voltage. 2. Check if the speed is faster if connect the motor to the battery directly? 	<p>No, charging; yes, get to the next.</p> <p>Yes, driving control board need to be repaired. Contact support team.</p>

 **WARNING:**

DISPOSAL OF BATTERIES: CONTAINS SEALED LEAD ACID BATTERY.

BATTERY MUST BE RECYCLED.

Dispose old batteries at an approved battery dumping station;

Contact your local environmental protection agency office for additional information.



Adult assembly required.

Use care when unpacking as components to be assembled may pose small parts/sharp edge hazard.

Never leave child unattended.

To reduce the risk of injury, adult supervision is required.

The ride on is unsuitable for children under 36 months due to its maximum speed; Maximum user weight is 100kg.

Always sit on the seat.

Always wear shoes, and never allow more than 2 riders.

Protective equipment should be worn.

Never use in roadways, near motor vehicles, on or near steep inclines or steps, swimming pools or other bodies of water.

Direct adult supervision is required. Always keep child in vision when child in vehicles.

Execution Standard:

EN71 -1: EN71-1:2014+A1:2018 for mechanical and physical properties;

EN71-2: 2011+A1:2014 flammability test;

EN71-3:2019 on migration of certain elements;

EN62115:2005+A12:2015 on safety of electric toy Excluding clause Excluding Annex E & Annex ZC & Annex;

U.S. ASTM F963-17 For Physical And Mechanical Tests Excluding Section 4.25, 5.15, 6.5, 6.6, 7.2;

