

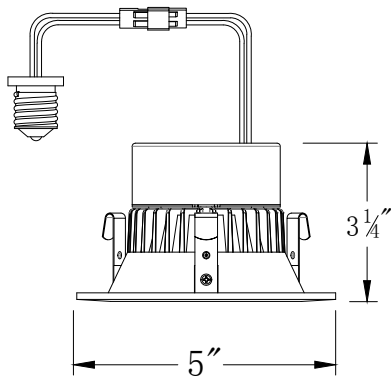


# LED Retrofit

## RTL/433WH/90/D

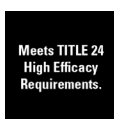
11 Watt LED Retrofit Module with  
4" White Baffle Trim

- Dimmable to 5%\*
- E26 medium base socket adapter included
- Compatible with most 4" recessed housings



<b>Item #</b>	RTL/433WH/90/D-28
<b>Product Code</b>	79719
<b>UPC Code</b>	751338093843
<b>Watts</b>	11
<b>Volts</b>	120V, 50/60 Hz
<b>Rated Hour Life</b>	50,000
<b>CRI</b>	90
<b>Color Temperature</b>	3000K
<b>Lumens</b>	750
<b>Warranty</b>	5 years

Specifications are subject to change without prior notice.



\*Dimming - This unit is designed to be compatible with most leading edge or incandescent style rotary or slide type dimmers. (Dimming range 100% - 5%) Fixture performance may vary depending on dimmer manufacturer and circuit loading.

Avoid mixing load types on the same circuit: Do not dim LED while also dimming CFL or incandescent loads.

TOPAZ Lighting Corp. has found the following dimmers to be compatible with this unit:

Leviton: 6631, 6633, IPL06, 6674

Leviton: 6602, 6681, 6683

Lutron: S-600, S-600P, CTCL-153P, DVCL-153P

Up to date information with additional dimmers can be found at [www.topaz-usa.com](http://www.topaz-usa.com)



[www.topaz-usa.com](http://www.topaz-usa.com)

**NY Office:** 925 Waverly Ave • Holtsville, NY 11742 • 800-666-2852 • Fax: 631-758-8026

**CA Office:** 225 Parkside Drive, San Fernando, CA 91340 • 888-551-2852 or 818-838-3123 • Fax: 888-690-2852 or 818-838-3102

**FL Office:** 2020 West 26th Street, Jacksonville, FL 32209 • 800-338-2852 • Fax: 772-778-5386