



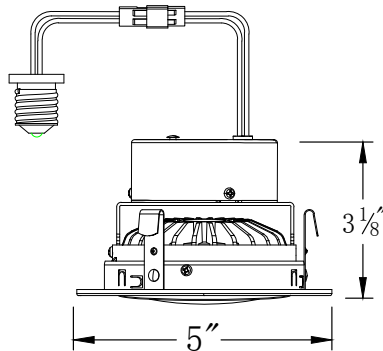
LED Retrofit

RTL/447WH/90/D

8 Watt LED Retrofit Module with
4" White Gimbal Trim



- Dimmable to 5%*
- E26 medium base socket adapter included
- Compatible with most 4" recessed housings
- Light can be rotated 22° vertically and 355° horizontally



Item #	RTL/447WH/90/D-28
Product Code	79709
UPC Code	751338093799
Watts	8
Volts	120V, 50/60 Hz
Rated Hour Life	50,000
CRI	95
Color Temperature	4000K
Lumens	665
Warranty	5 years

Specifications are subject to change without prior notice.



*Dimming - This unit is designed to be compatible with most leading edge or incandescent style rotary or slide type dimmers. (Dimming range 100% - 5%) Fixture performance may vary depending on dimmer manufacturer and circuit loading.

Avoid mixing load types on the same circuit: Do not dim LED while also dimming CFL or incandescent loads.

TOPAZ Lighting Corp. has found the following dimmers to be compatible with this unit:

Leviton: 6631, 6633, IPL06, 6674

Leviton: 6602, 6681, 6683

Lutron: S-600, S-600P, CTCL-153P, DVCL-153P

Up to date information with additional dimmers can be found at www.topaz-usa.com



www.topaz-usa.com

NY Office: 925 Waverly Ave • Holtsville, NY 11742 • 800-666-2852 • Fax: 631-758-8026

CA Office: 225 Parkside Drive, San Fernando, CA 91340 • 888-551-2852 or 818-838-3123 • Fax: 888-690-2852 or 818-838-3102

FL Office: 2020 West 26th Street, Jacksonville, FL 32209 • 800-338-2852 • Fax: 772-778-5386