



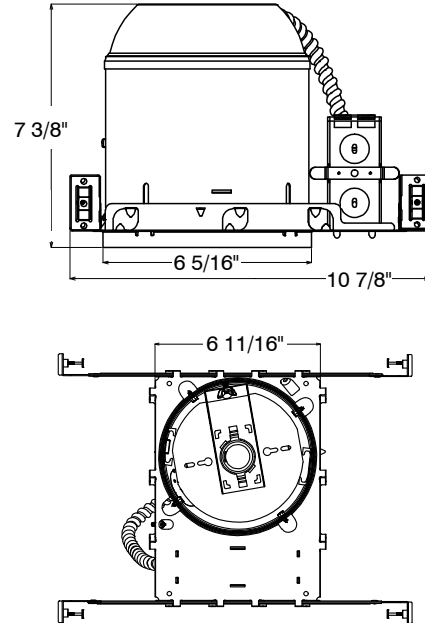
Type: _____ Catalog #: _____
 Project: _____ Contact: _____

6" Line Voltage Recessed Can

New Construction IC Airtight
RH6/N/IC/AT



DIMENSIONS



PRODUCT SPECIFICATIONS

Lamp 75 Watt Max

Plaster Frame Galvanized steel construction. The housing can be removed from plaster frame to provide access to the junction box and ballast.

INSTALLATION

Bar Hanger Pre-installed nails easily install in regular or engineered lumber. Bar hangers are adjustable from 13-5/8" to 25" and can be repositioned 90 degree on plaster frame.

Junction Box Listed for through branch circuit wiring. Contains seven 7/8" knockouts and four Romex pryouts with strain relief.

LABELS AND LISTINGS

cUL Listed for Damp Location
 cUL Listed for Feed Through
 Certified under ASTM-E283 for Airtight construction



ORDERING INFORMATION

Code: **79133**

Item # **RH6/N/IC/AT**

Topaz offers numerous lamp options. Consult your sales rep.

Specifications Subject To Change Without Notice.

Series	Aperture Size	Lamp Orientation	Construction	Lamp Style	# of Lamps	Lamp Wattage	Insulation Contact	Air Tight	Voltage	Options
RH= Recessed Housing	3	Blank=Vert	Blank=Standard Depth Can	Blank=Incand.	1 or 2	Blank=Incand. Insert wattages for CFL, GU and LED	Blank=Non-IC IC=IC	Blank=Non-AT AT=AT	Blank=120 H=120/277	Any Modifications
	4	H=Hor	R=Remodel	C=CFL						
	5		N=New	G=GU						
	6		S=Shallow SL=Slope SSL=Super Slope	LED=LED LV=Low Voltage						



NY Office: 925 Waverly Avenue, Holtsville, NY 11742 • 800-666-2852 • Fax: 631-758-8026
CA Office: 225 Parkside Drive, San Fernando, CA 91340 • 888-551-2852 or 818-838-3123 • Fax: 888-690-2852 or 818-838-3102
FL Office: 2020 West 26th Street, Jacksonville, FL 32209 • 800-338-2852 • Fax: 772-778-5386