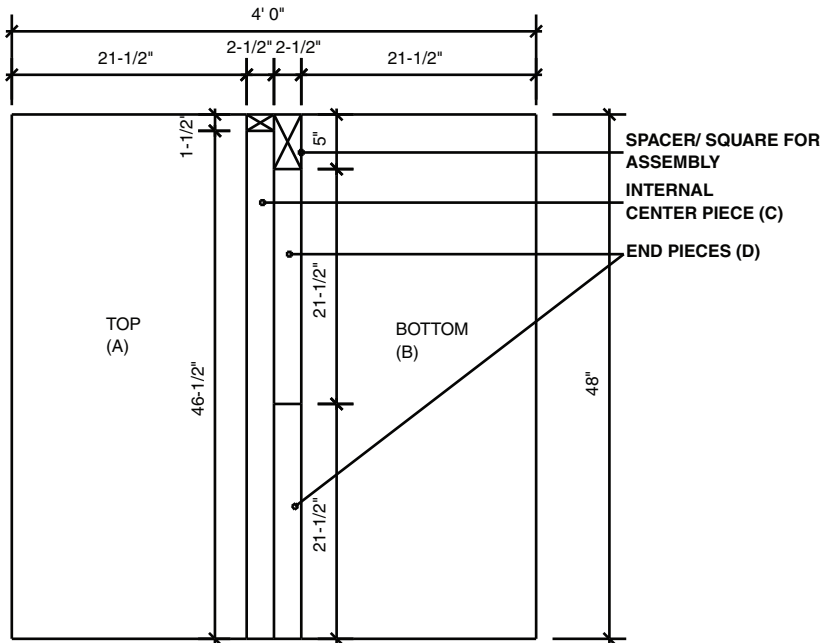




# STANDARD Coffee Table



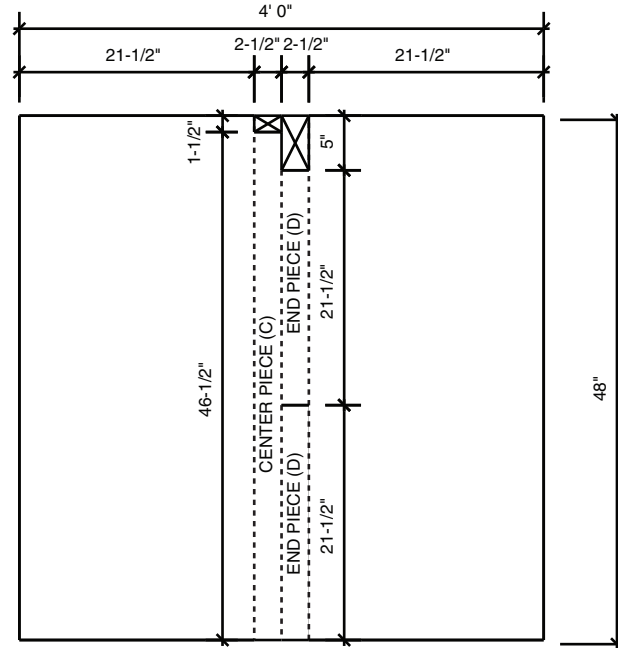
## OVERALL CUT SHEET & DESCRIPTION:

**MATERIALS:**  
1/2 SHEET OF 1/2" PLYWOOD

HAVE THE LUMBER YARD MAKE THE 3 LONG CUTS MARKED BELOW. USE A HAND SAW (OR MITRE SAW) TO MAKE THE SHORT CUTS. YOU CAN MAKE THESE CUTS YOURSELF, BUT MOST LUMBER YARDS OR HOME STORES WILL MAKE THE CUTS FOR YOU AND CHARGE JUST A FEW DOLLARS.



Pro-tip: make sure to cut the long strips out of the middle of the sheet, if you don't they will be slightly different heights and it won't be as tight.

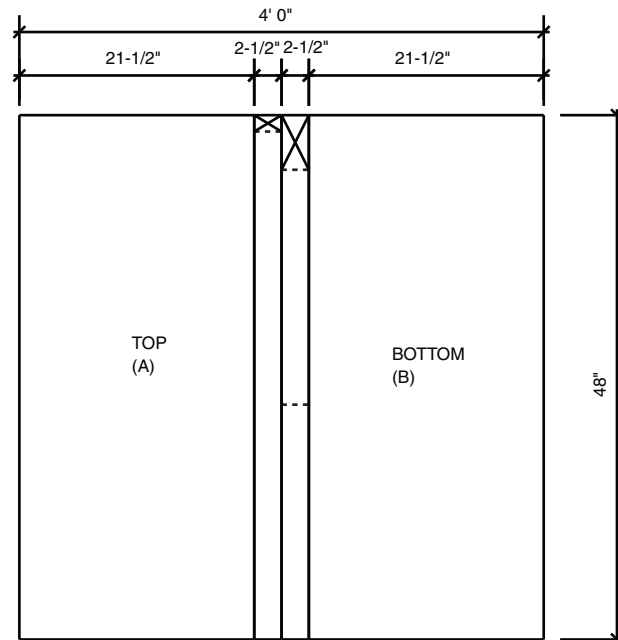


## 1: RIP CUTS

START WITH A 1/2 SHEET OF PLYWOOD (48"x48"). YOU CAN EITHER BUY A HALF SHEET (IF POSSIBLE), OR CUT A FULL SHEET IN HALF AND USE THE OTHER HALF FOR OTHER PROJECTS!

HAVE THE LUMBER YARD MAKE THE 3 LONG CUTS MARKED BELOW. YOU CAN DO THIS YOURSELF, BUT A TABLE SAW ENSURES ACCURATE CUTTING.

**NOTE:**  
MAKE SURE TO CUT THE THIN STRIPS OUT OF THE CENTER OF THE SHEET. THAT ENSURES THAT THE WIDTH OF THE SAW BLADE IS TAKEN INTO ACCOUNT, AND THE PARTS WILL LINE UP WITH THE SAME DIMENSIONS.



## 2: CROSS CUTS

TAKE THE THIN CENTER STRIPS THAT YOU NOW HAVE, AND CROSS CUT THEM WITH A HAND SAW (OR CHOP SAW) TO MAKE THESE SHORT CUTS.

USE THE MEASUREMENTS ON THE DRAWING (LEFT).

YOU WILL END UP WITH ALL THE PARTS YOU NEED TO ASSEMBLE THE BOX TOP.